

THIS DRAWING IS UNPUBLISHED.

RELEASED FOR PUBLICATION

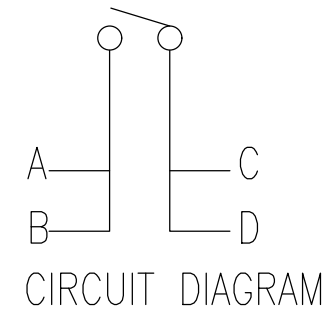
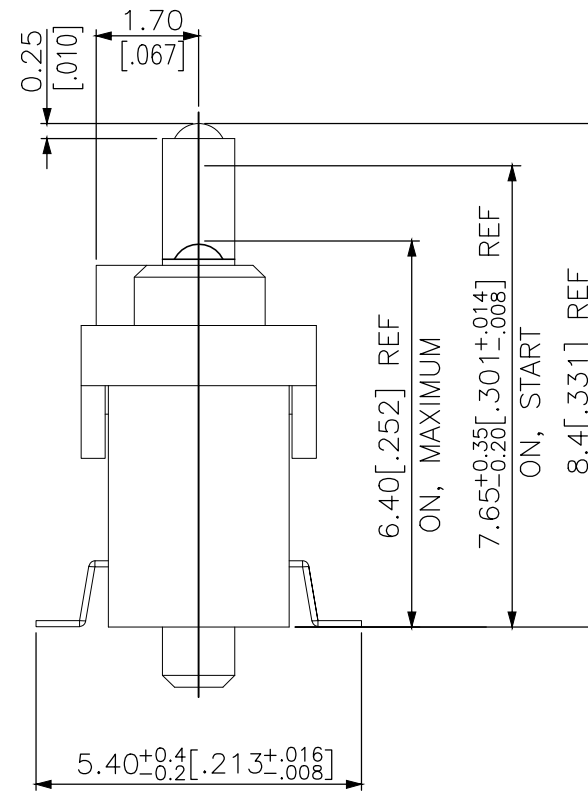
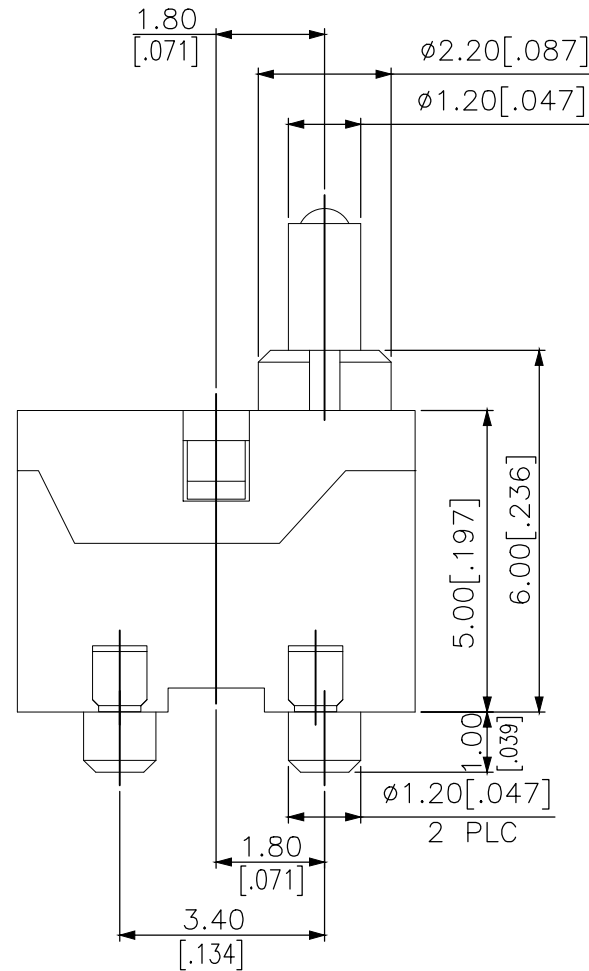
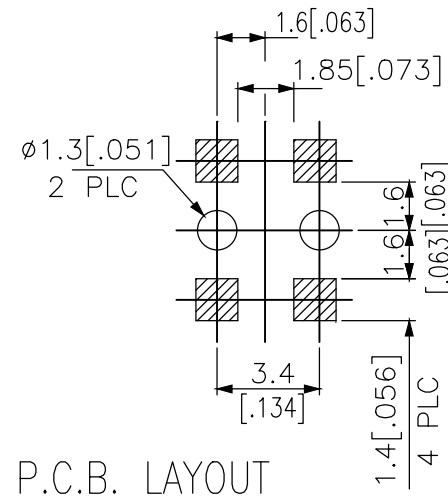
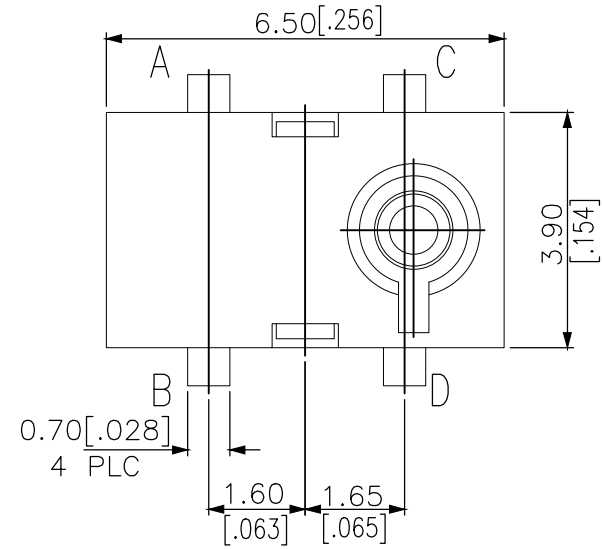
REVISIONS

© COPYRIGHT - TE Connectivity Ltd.

ALL RIGHTS RESERVED.

P	LTR	DESCRIPTION	DATE	DWN	APVD
	A	ECR-18-012767	14AUG2018	DHC	AS

2331400-1 AND 2331400-2
AS SHOWN



500/REEL	2331400-2
50/TUBE	2331400-1
QTY PER REEL/TUBE	TE PART NO

THIS DRAWING IS A CONTROLLED DOCUMENT.		DWN	03MAY2018	TE Connectivity Ltd.											
DIMENSIONS: mm [INCHES]		CHK	03MAY2018												
TOLERANCES UNLESS OTHERWISE SPECIFIED:		APVD	03MAY2018												
<table border="0"> <tr><td>0 PLC</td><td>± -</td></tr> <tr><td>1 PLC</td><td>± -</td></tr> <tr><td>2 PLC</td><td>± 0.20 [.008]</td></tr> <tr><td>3 PLC</td><td>± -</td></tr> <tr><td>4 PLC</td><td>± -</td></tr> <tr><td>ANGLES</td><td>± -</td></tr> </table>		0 PLC	± -			1 PLC	± -	2 PLC	± 0.20 [.008]	3 PLC	± -	4 PLC	± -	ANGLES	± -
0 PLC	± -														
1 PLC	± -														
2 PLC	± 0.20 [.008]														
3 PLC	± -														
4 PLC	± -														
ANGLES	± -														
MATERIAL		FINISH		SWITCH, DETECTOR, JVL SERIES, 6.5X3.9mm, VERTICAL, SMT, POSTS, 8.4mm											
-		-		SIZE	RESTRICTED TO										
		CUSTOMER DRAWING		A3 00779	-										
				C-2331400											
				SCALE	SHEET										
				NTS	1 of 3										
				REV	A										

THIS DRAWING IS UNPUBLISHED.

RELEASED FOR PUBLICATION

© COPYRIGHT - TE Connectivity Ltd.

ALL RIGHTS RESERVED.

REVISIONS

P	LTR	DESCRIPTION	DATE	DWN	APVD
-	-	SEE SHEET 1	-	-	-

NOTES:

1. MATERIALS

ACTUATOR: THERMOPLASTIC, UL 94V-0, BLACK
 BASE: THERMOPLASTIC, UL 94V-0, BLACK
 COVER: THERMOPLASTIC, UL 94V-0, BLACK
 TERMINAL: COPPER ALLOY, SILVER PLATE
 CONTACT: STAINLESS STEEL, SILVER CLAD

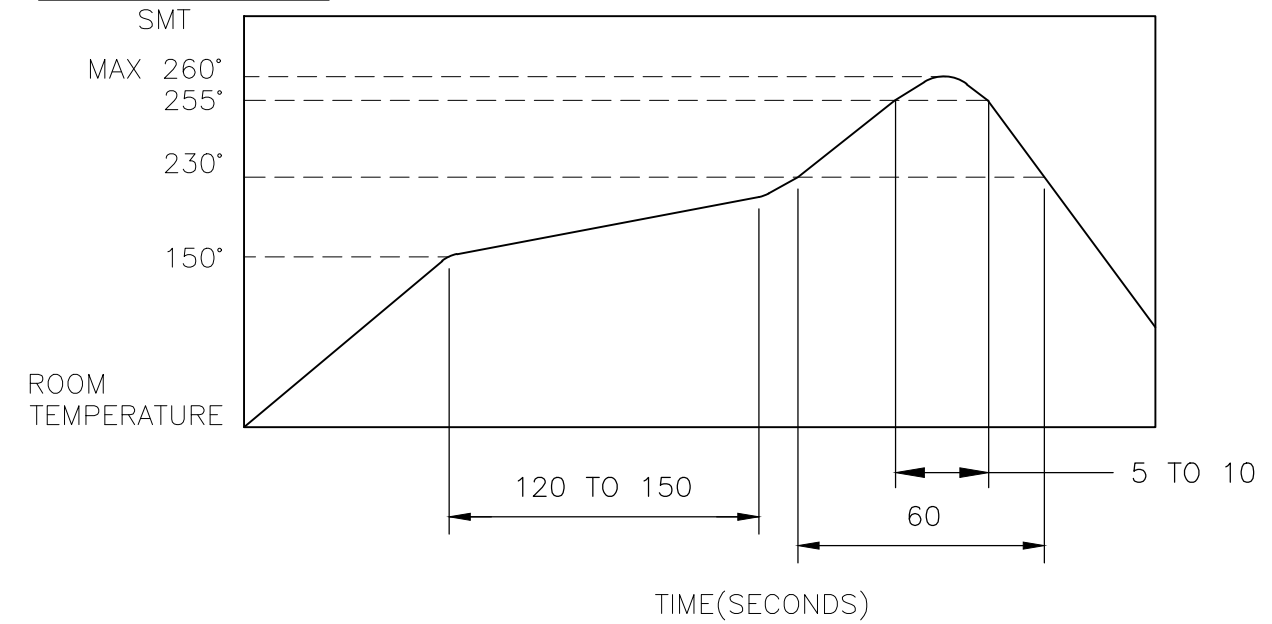
2. COMPLIANCE:

ALL MATERIALS AND FINISHES SHALL COMPLY WITH EU DIRECTIVE 2002/95/EC OF 27JAN2003(RoHS)

3. SPECIFICATIONS:

RATING: 5mA 5V DC
 CONTACT RESISTANCE: 500mΩ MAXIMUM(INITIAL)
 INSULATION RESISTANCE: 100MΩ MINIMUM AT 250 V DC
 DIELECTRIC STRENGTH: 250 V AC, 1 MINUTE
 OPERATING LIFE: 50,000 CYCLES WITH LOAD
 TOTAL TRAVEL: 2.0 [.079]
 ACTUATION FORCE: 35gf MAXIMUM
 OPERATING TEMPERATURE: -20°C TO 70° C
 STORAGE TEMPERATURE: -30°C TO 80° C

4. SOLDER CONDITIONS:



THE CONDITION MENTIONED ABOVE IS THE TEMPERATURE ON THE CU FOIL OF THE PCB SURFACE. THERE ARE CASES WHERE THE BOARD'S TEMPERATURE GREATLY DIFFERS FROM THE SWITCH'S SURFACE. DO NOT ALLOW SWITCH'S SURFACE TEMPERATURE TO EXCEED 260°C

MANUAL SOLDERING

SOLDERING TEMPERATURE	MAX.350°C.
CONTINUOUS SOLDERING TIME	MAX. 5 SECONDS.

PRECAUTIONS IN HANDLING

1. CARE SHOULD BE EXERCISED SO THAT FLUX FROM THE UPPER PART OF THE PRINTED CIRCUIT BOARD DOES NOT ADHERE TO THE SWITCH.

JJLV0UG840NOPPRTR	2331400-2
JJLV0UG840NOPPRTB	2331400-1
SMART PART NUMBER	PART NUMBER

THIS DRAWING IS A CONTROLLED DOCUMENT.		DWN	GANESH C M		03MAY2018	TE Connectivity Ltd.					
DIMENSIONS: mm [INCHES]		CHK	ALEXANDER SHARPE		03MAY2018						
		TOLERANCES UNLESS OTHERWISE SPECIFIED:		APVD	ALEXANDER SHARPE		NAME				
0 PLC ± -		1 PLC ± -		PRODUCT SPEC		SWITCH, DETECTOR, JJL SERIES, 6.5X3.9mm, VERTICAL, SMT, POSTS, 8.4mm					
2 PLC ± 0.20 [.008]		3 PLC ± -		APPLICATION SPEC		-					
4 PLC ± -		ANGLES ± -		WEIGHT		SIZE	CAGE CODE	DRAWING NO	RESTRICTED TO		
MATERIAL		FINISH		-		A3	00779	C-2331400	-		
CUSTOMER DRAWING						SCALE	NTS	SHEET	2 OF 3	REV	A

THIS DRAWING IS UNPUBLISHED.

RELEASED FOR PUBLICATION

REVISIONS

© COPYRIGHT - TE Connectivity Ltd.

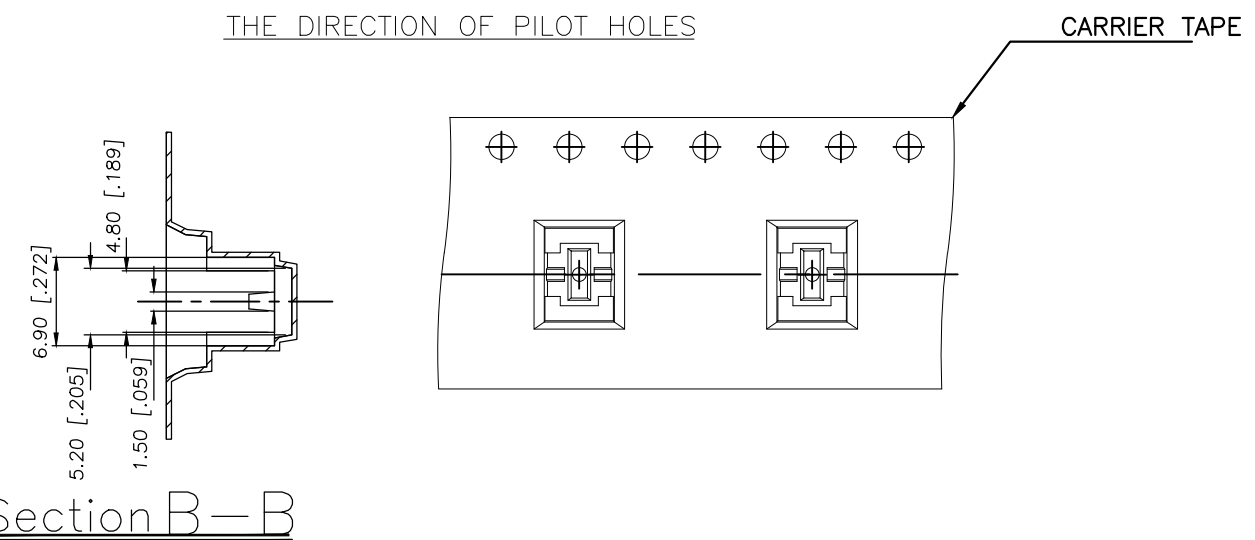
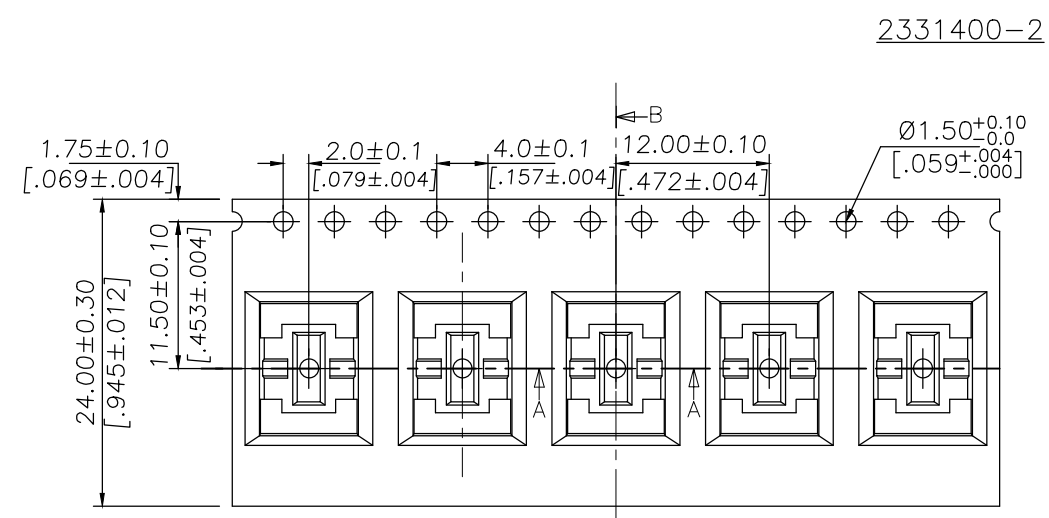
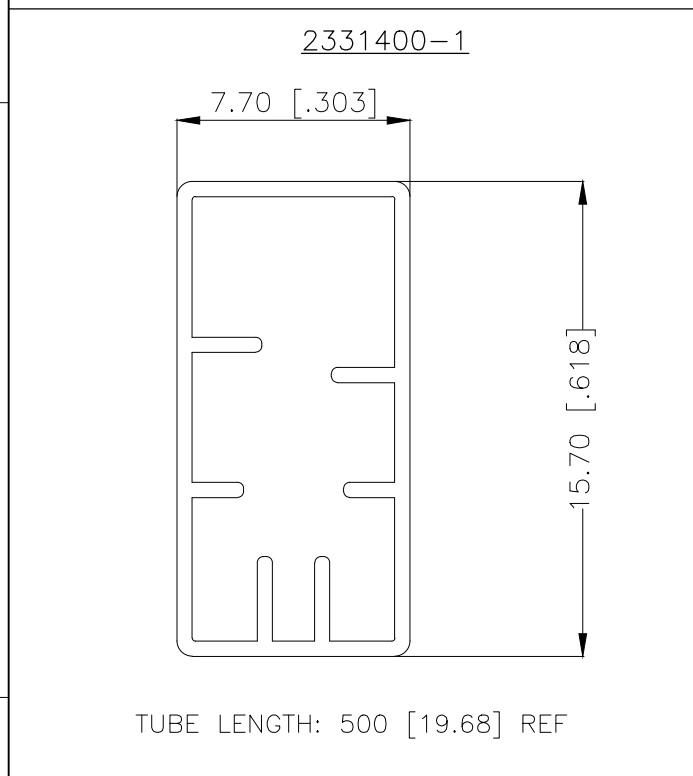
ALL RIGHTS RESERVED.

P	LTR	DESCRIPTION	DATE	DWN	APVD
-	-	SEE SHEET 1	-	-	-

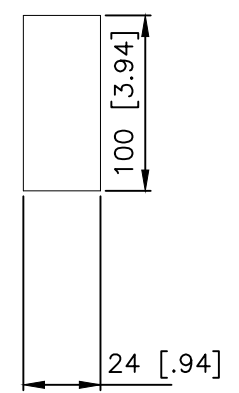
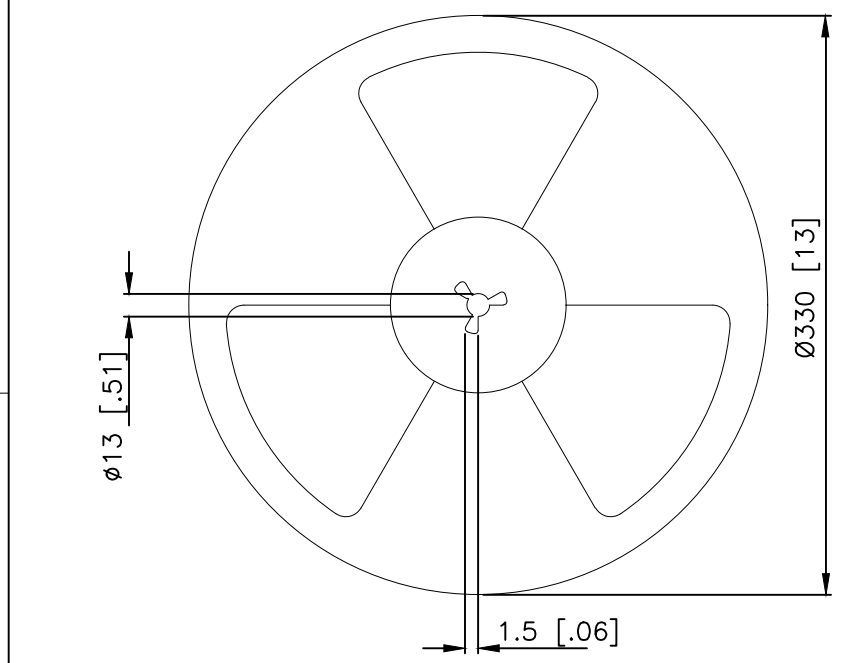
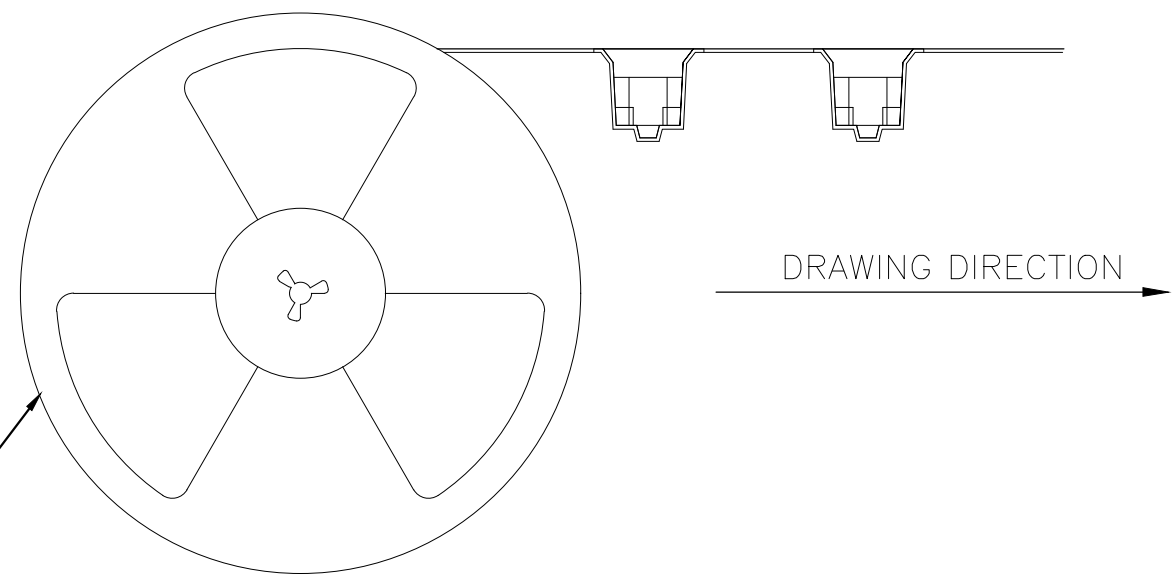
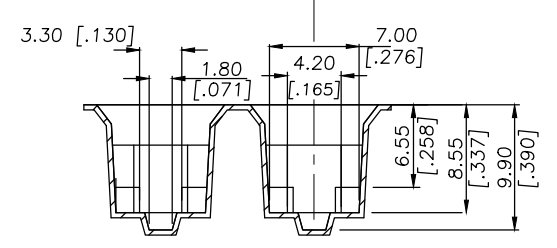
PACKAGING:

2331400-1 : 50 SWITCHES PER TUBE
 2331400-2 : 500 SWITCHES PER REEL

THE DIMENSION OF TUBE, CARRIER TAPE, COVER TAPE AND REEL



Section B-B



THIS DRAWING IS A CONTROLLED DOCUMENT.		DWN GANESH C M 03MAY2018	TE Connectivity Ltd.		
DIMENSIONS: mm [INCHES]		CHK ALEXANDER SHARPE 03MAY2018			
TOLERANCES UNLESS OTHERWISE SPECIFIED:		APVD ALEXANDER SHARPE 03MAY2018	PRODUCT SPEC		SWITCH, DETECTOR, JJL SERIES, 6.5X3.9mm, VERTICAL, SMT, POSTS, 8.4mm
0 PLC ± -		APPLICATION SPEC	SIZE		RESTRICTED TO
1 PLC ± -		WEIGHT	CAGE CODE		A3 00779
2 PLC ± 0.20 [.008]		CUSTOMER DRAWING	DRAWING NO		
3 PLC ± -			SCALE		SHEET 3 OF 3
4 PLC ± -		REV		A	
ANGLES ± -		NTS			
MATERIAL -		FINISH -			