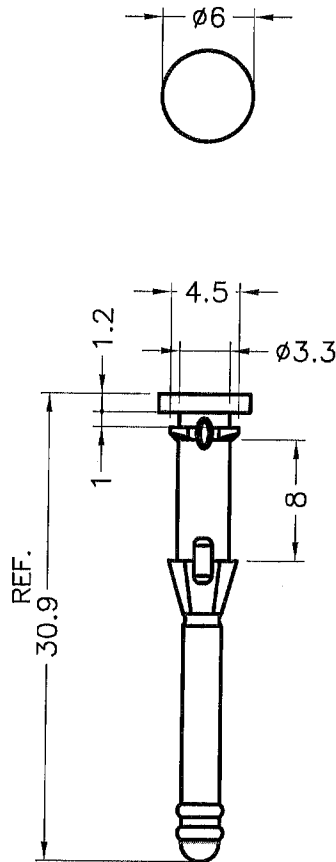

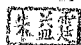


DIM.	TOL.
L≤10	±0.2
10<L≤30	±0.3
30<L≤50	±0.5
50<L≤100	±0.7
100<L≤250	±1.2
ABOVE 250	±1.5

REVISIONS			
REV	DESCRIPTION	DATE	BY



NOTE: All measurement does not include gate which raises under 1.2mm.

 <p>康揚企業股份有限公司 KANG YANG HARDWARE ENTERPRISE CO., LTD. 康揚塑膠(東莞)有限公司 KANG YANG PLASTIC(DONG GUAN) CO., LTD. 康哲電腦配件(吳江)有限公司 KANG CHE COMPUTER COMPONENTS(WUJIANG) CO., LTD.</p>	TITLE		FAN SNAP RIVET		SPEC. DWG		
	MATERIAL		TPE		DATE		2010.10.22
	FINISH				DRAWN		Eric
	COLOR		BLACK		CHECK		
PART NUMBER		DRAWING NUMBER		UNLESS OTHERWISE SPECIFIED TOLERANCE		APPROVED	
BUB-9G		BUB-9G		SEE ABOVE		Kang	
SIZE	SCALE	UNIT	REV				
A4	2:1	mm	A				