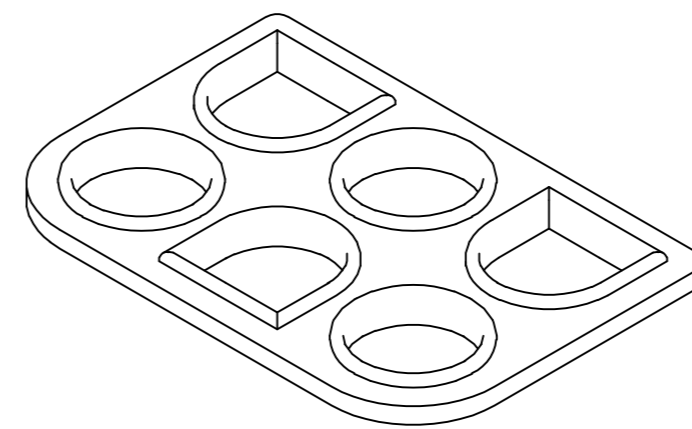
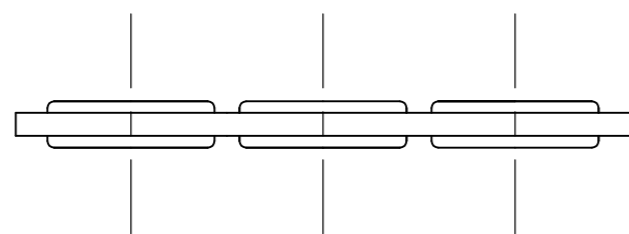
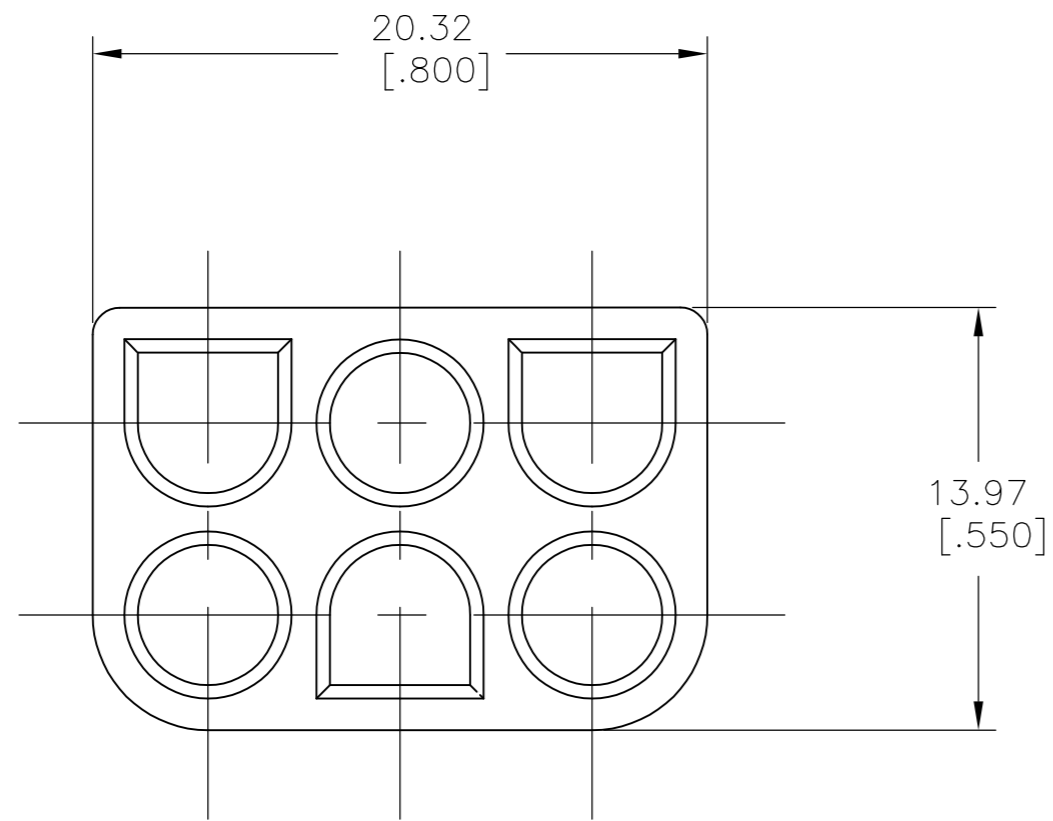


THIS DRAWING IS UNPUBLISHED. RELEASED FOR PUBLICATION
 © COPYRIGHT - By - ALL RIGHTS RESERVED.

LOC		DIST		REVISIONS			
P	LTR	DESCRIPTION		DATE	DWN	APVD	
CM	53	C		REVISED PER ECR-12-011218	08OCT12	KH	TM

- 1 MATERIAL: SELF LUBRICATING SILICON RUBBER
COLOR: BLUE
- 2 DIMENSIONS IN BRACKETS ARE IN INCHES.



3-DIMENSIONAL MODEL
NTS

794275-1
PART NUMBER

THIS DRAWING IS A CONTROLLED DOCUMENT.		DWN	B. LEWIS	3-25-97		TE Connectivity																								
DIMENSIONS: mm [INCHES]		CHK	R. SWING	3-25-97		NAME																								
TOLERANCES UNLESS OTHERWISE SPECIFIED:		APVD	D. SELF	3-25-97		INTERFACE SEAL,6 CIRCUIT, UNIVERSAL MATE-N-LOK™																								
<table border="0"> <tr><td>0 PLC</td><td>±</td><td>-</td></tr> <tr><td>1 PLC</td><td>±</td><td>-</td></tr> <tr><td>2 PLC</td><td>±</td><td>0.38[.015]</td></tr> <tr><td>3 PLC</td><td>±</td><td>-</td></tr> <tr><td>4 PLC</td><td>±</td><td>-</td></tr> <tr><td>ANGLES</td><td>±</td><td>0°30'</td></tr> </table>		0 PLC	±	-		1 PLC	±	-	2 PLC	±	0.38[.015]	3 PLC	±	-	4 PLC	±	-	ANGLES	±	0°30'	PRODUCT SPEC	-		SIZE	A2	CAGE CODE	00779	DRAWING NO	C=794275	RESTRICTED TO
0 PLC	±	-																												
1 PLC	±	-																												
2 PLC	±	0.38[.015]																												
3 PLC	±	-																												
4 PLC	±	-																												
ANGLES	±	0°30'																												
MATERIAL	1	FINISH	-	WEIGHT	-	SCALE	4:1	SHEET	1 of 1	REV	C																			
CUSTOMER DRAWING																														