

MATERIALS &  
SPECIFICATIONS

INSULATOR:

THERMOPLASTIC PER  
MIL-M-24519, TYPE  
GLCP-30F OR GST-40F  
NATURAL

CONTACT:

BERYLLIUM COPPER PER  
ASTM B194, C17200.  
GOLD PLATED PER ASTM  
B488, (HARD GOLD)  
TYPE II CODE C CLASS  
1.27 (CONTACT MATING  
AREA ONLY)

TERMINATION:

SOLDER COATED PER J-  
STD-006 OR PLATED  
PER AMS-P-81728

CURRENT CAPACITY:

1 AMP MAX PER MIL-  
DTL-32139

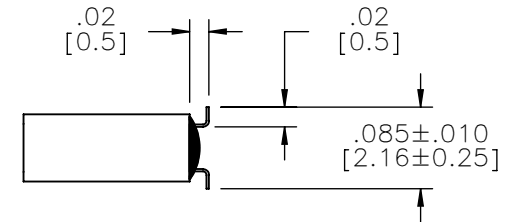
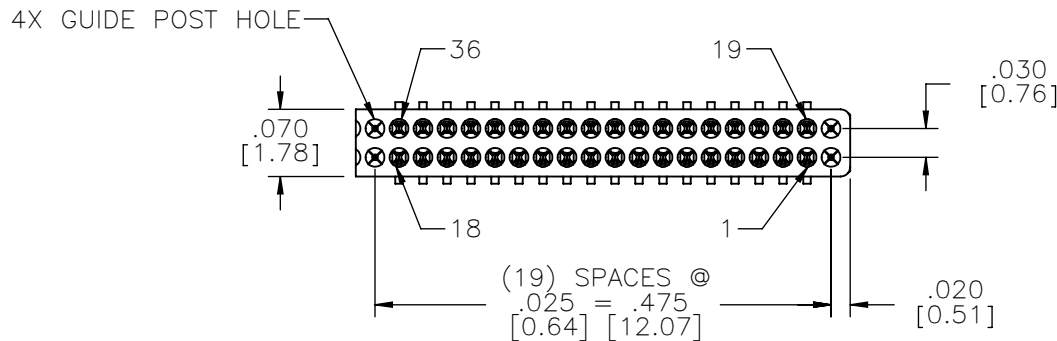
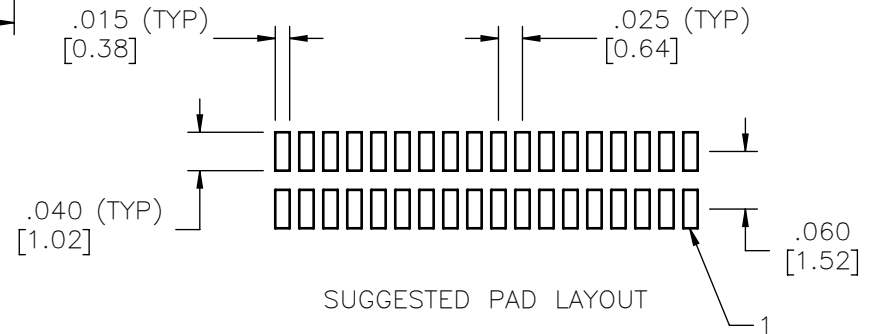
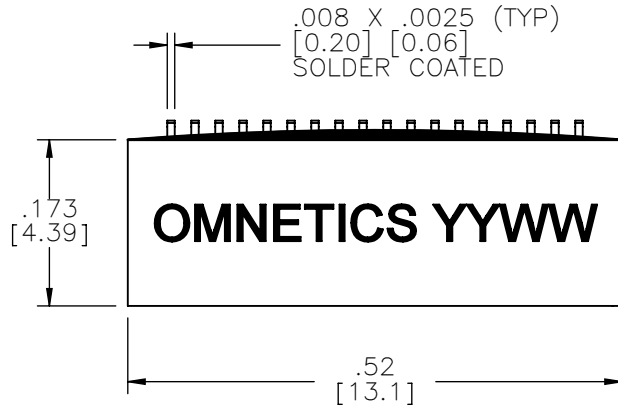
CONTACT RESISTANCE:

71 MILLIOHMS (71mV)  
MAX @ 1.0 AMPS PER  
MIL-DTL-32139

PART NO.	A79026-001	REV	ECO	DATE	APP
		E	103737	08-28-17	TLM



ACTUAL SIZE



NOTE:

DIMENSIONS IN [ ] ARE IN  
MILLIMETERS UNLESS  
OTHERWISE NOTED AND ARE  
FOR REFERENCE ONLY

MCTS CNPD SLDW	THIRD ANGLE	THIS DRAWING CONTAINS CONFIDENTIAL AND PROPRIETARY INFORMATION WHICH IS THE PROPERTY OF OMNETICS CONNECTOR CORP. THIS DOCUMENT MAY NOT, IN WHOLE OR IN PART, BE DUPLICATED, OR DISCLOSED FOR ANY PURPOSE, WITHOUT WRITTEN PERMISSION FROM OMNETICS CONNECTOR CORP.		<b>OMNETICS</b> CONNECTOR CORPORATION 7260 COMMERCE CIRCLE EAST MINNEAPOLIS, MN 55432 WWW.OMNETICS.COM	CAGE CODE <b>61873</b>	
	-TOLERANCES-	DFTM. TLM	DATE		DWG NO.	
	UNLESS OTHERWISE NOTED	CHK'D.	DATE	A79026-001		SHEET 1 OF 1 SCALE: 5:1
	DIMENSIONS IN INCHES	APP'D.	DATE	REV		

TITLE:  
(36) PIN MALE NANO  
DUAL ROW CONNECTOR  
W/GUIDE POST HOLES

REV  
E