

TPS63025xEVM-553

This user's guide describes the characteristics, operation, and use of the TPS63025xEVM-553 evaluation module (EVM). This EVM is designed to help the user easily evaluate and test the operation and functionality of the TPS630250, TPS630251, and TPS630252. The EVM converts a 2.5-V to 5.5-V input voltage to a regulated 3.3-V output voltage that delivers up to 2 A. This document includes setup instructions for the hardware, a schematic diagram, a bill of materials, and printed-circuit board layout drawings for the evaluation module. Throughout this document, the abbreviations *EVM*, *TPS63025xEVM-553*, and the term *evaluation module* are synonymous with the TPS630250, TPS630251, and TPS630252, unless otherwise noted.

Contents

1	Introduction	1
2	Setup	3
3	Board Layout	4
4	Schematic and Bill of Materials	6

List of Figures

1	Assembly Layer	4
2	Top Layer Routing	5
3	Bottom Layer Routing	5
4	TPS63025xEVM-553 Schematic.....	7

List of Tables

1	Performance Specification Summary	2
2	TPS63025xEVM-553 Bill of Materials.....	6

1 Introduction

TI's TPS63025x are highly efficient, single-inductor, buck-boost converters in a 1.77 mm × 2.09 mm, 20-pin WCSP package. TPS630250 is an adjustable output voltage converter. TPS630251 as well as TPS630252 are fixed output voltage converters with 2.9 V (TPS630251) and 3.3 V (TPS630252).

1.1 Background

The TPS63025xEVM-553 uses the TPS630250 adjustable version that is programmed with an external feedback divider to an output voltage of 3.3 V. Alternatively, TPS630251 or TPS630252 fixed output voltage versions can be assembled. Therefore, the resistors R1 and R2 have to be disassembled and a 0-Ω resistor placed at R1.

1.2 Performance Specification

[Table 1](#) provides a summary of the TPS63025xEVM-553 performance specifications. All specifications are given for operating in a free-air environment of an ambient temperature of 25°C.

Table 1. Performance Specification Summary

Specification	Test Conditions	Min	Typ	Max	Unit
Input voltage		2.5		5.5	V
Output voltage	PWM Mode	3.267	3.3	3.33	V
Output current		0		2000	mA

2 Setup

This section describes how to properly use the TPS63025xEVM-553.

2.1 *Input/Output Connector and Header Descriptions*

2.1.1 J1 – VIN

This header is the positive connection to the input power supply. The power supply must be connected between J1 and J3 (GND). The leads to the input supply should be twisted and kept as short as possible. The input voltage has to be between 2.5 V and 5.5 V.

2.1.2 J2 – S+/S–

Header J2 can be used to measure the input voltage directly on the input capacitor. Therefore, a 4-wire power and sense supply can be connected. The leads to the sensing connector should also be twisted.

2.1.3 J3 – GND

This header is the return connection to the input power supply. Connect the power supply between J3 and J1 (VIN). The leads to the input supply should be twisted and kept as short as possible. The input voltage has to be between 2.5 V and 5.5 V.

2.1.4 J4 – VOUT

This header is the positive connection of the output voltage. The load has to be connected between J4 and J6 (GND).

2.1.5 J5 – S+/S–

Header J5 can be used to measure the output voltage directly on the output capacitor.

2.1.6 J6 – GND

This header is the return connection of the output voltage. Connect the load between J6 and J4 (VOUT).

2.1.7 JP1 – EN

This jumper enables or disables the TPS63025 on the EVM. Place the jumper across ON and EN to enable the converter. Place the jumper across OFF and EN to disable the converter. A 1-M Ω pullup resistor can be connected between VIN and EN.

2.1.8 JP4 – PFM/PWM (MODE)

This jumper controls the operating mode of the TPS63025x on the EVM. Place the jumper across PWM and MODE to enable forced PWM mode with a constant switching frequency. Place the jumper across PFM and MODE to enable power-save mode with higher efficiency.

2.1.9 J10 - L1 Testpoint header

This header can be placed to measure the switch pin L1 respective to ground.

2.1.10 J11 - L2 Testpoint header

This header can be placed to measure the switch pin L2 respective to ground.

2.2 Setup

To operate the EVM, simply connect an input supply between J1 and J3. Connect a load between J4 and J6. An input supply voltage of 2.5 V to 5.5 V is recommended.

3 Board Layout

This section provides the TPS63025xEVM-553 board layout and illustrations.

3.1 Layout

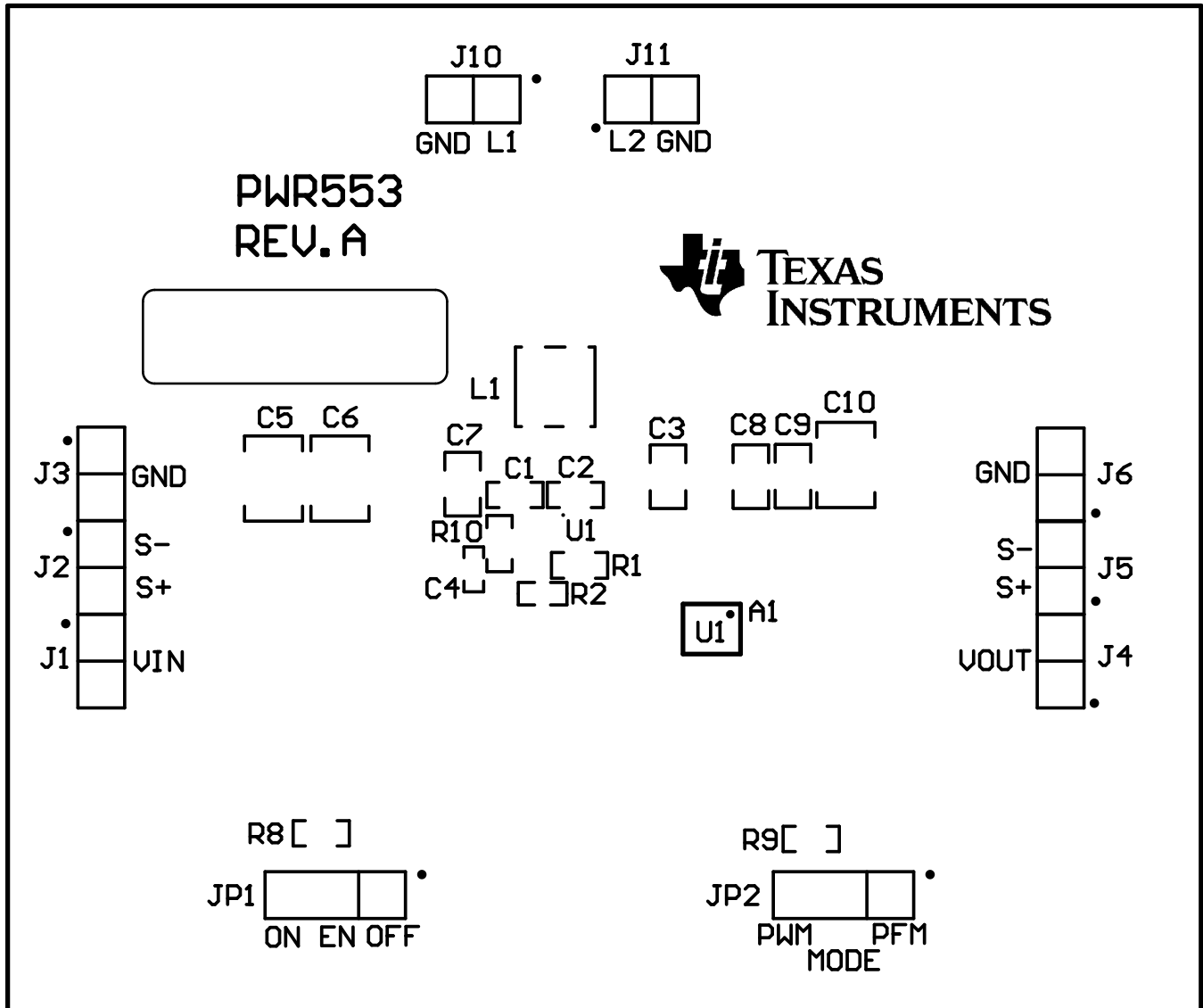


Figure 1. Assembly Layer

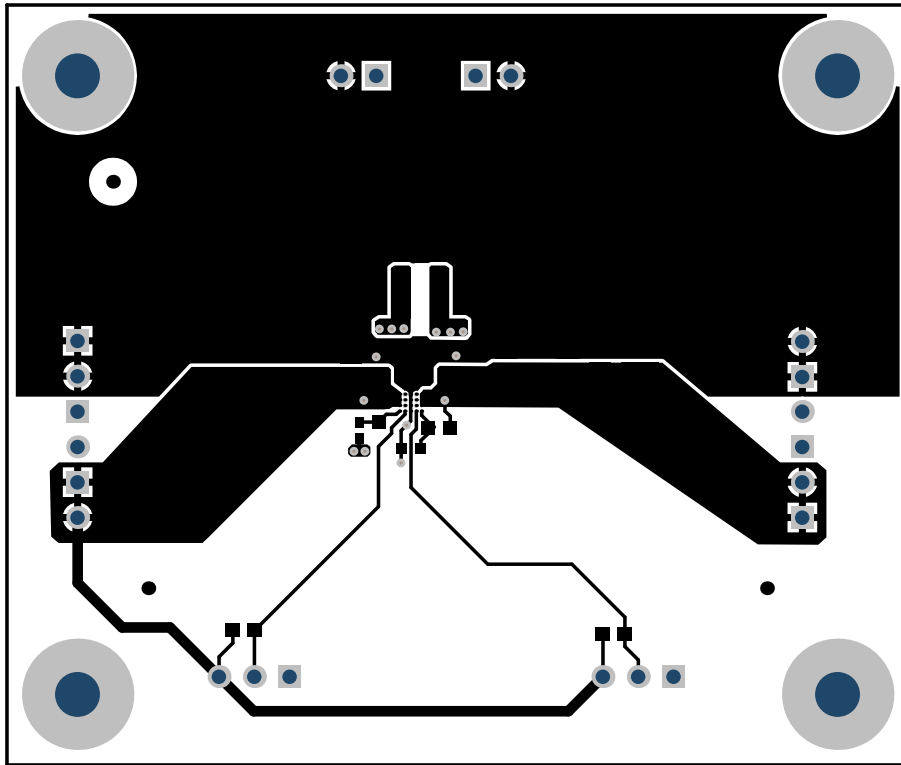


Figure 2. Top Layer Routing

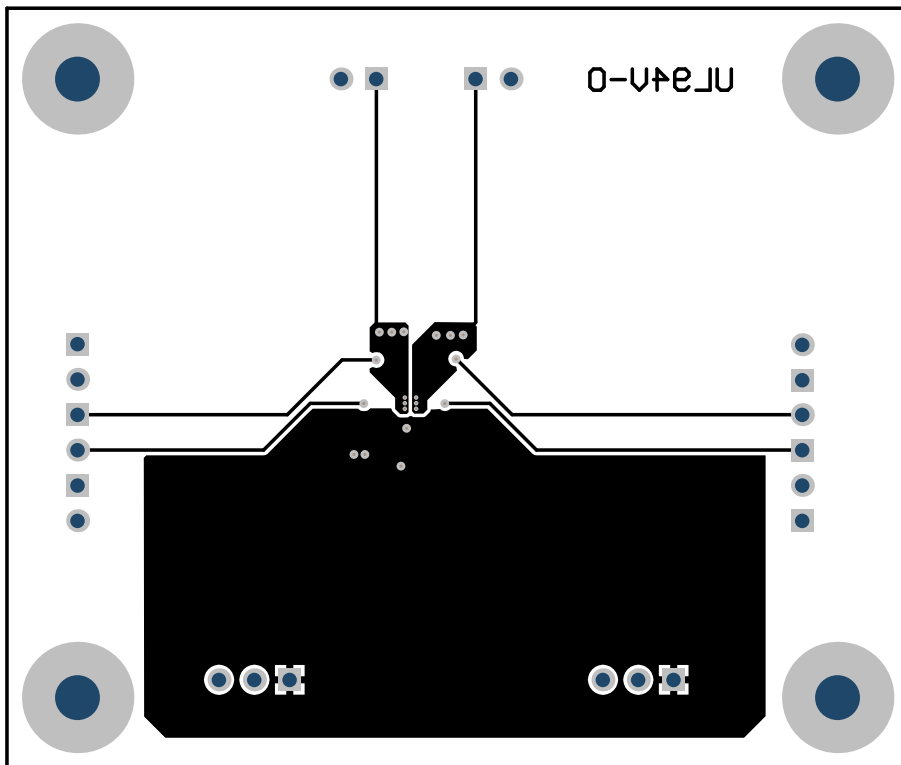


Figure 3. Bottom Layer Routing

4 Schematic and Bill of Materials

This section provides the TPS63025xEVM-553 schematic and bill of materials.

4.1 Bill of Materials

Table 2. TPS63025xEVM-553 Bill of Materials

-001	RefDes	Value	Description	Size	Part Number	MFR
TPS63025x Power Solution Components						
2	C1, C2	10uF	Capacitor, Ceramic Chip, 6.3V, $\pm 20\%$, X5R	0603	GRM188R60J106ME84	MuRata
1	C3	47uF	Capacitor, Ceramic Chip, 6.3V, $\pm 20\%$, X5R	0805	GRM219R60J476ME44D	MuRata
1	L1	1.0uH	Inductor, Shielded, Composite, 8.75A, 10mOhm	XAL4020	XAL4020-102MEB	Coilcraft
1	R1	560k	Resistor, Chip, 1/10W, 1%	0603	STD	STD
1	R2	180k	Resistor, Chip, 1/10W, 1%	0603	STD	STD
1	U1	–	IC, TPS630250 High Current, High Efficiency Single Inductor Buck-Boost Converter	DSBGA (20)	TPS630250YFF	TI
PWR553 Evaluation Module Components						
1	R10	0	Resistor, Chip, 1/10W, 1%	0603	STD	STD
0	C4	Open	Capacitor, Ceramic Chip, 6.3V, $\pm 20\%$, X5R	0603		
1	C5	100uF	Capacitor, Ceramic Chip, 6.3V, $\pm 20\%$, X5R	1210	GRM32ER60J107ME20L	MuRata
0	C6, C7	Open	Capacitor, Ceramic Chip, 6.3V, $\pm 20\%$, X5R	0603		
0	R8, R9	Open	Resistor, Chip, 1/10W, 1%	0603		
8	J1 ... J6, J10, J11		Header, 2x1, 100 mil spacing		TSW-102-07-G-S	Samtec
2	JP1, JP2		Header, 3x1, 100mil spacing		TSW-103-07-G-S	Samtec

4.2 Schematic

Figure 4 illustrates the schematic for this EVM.

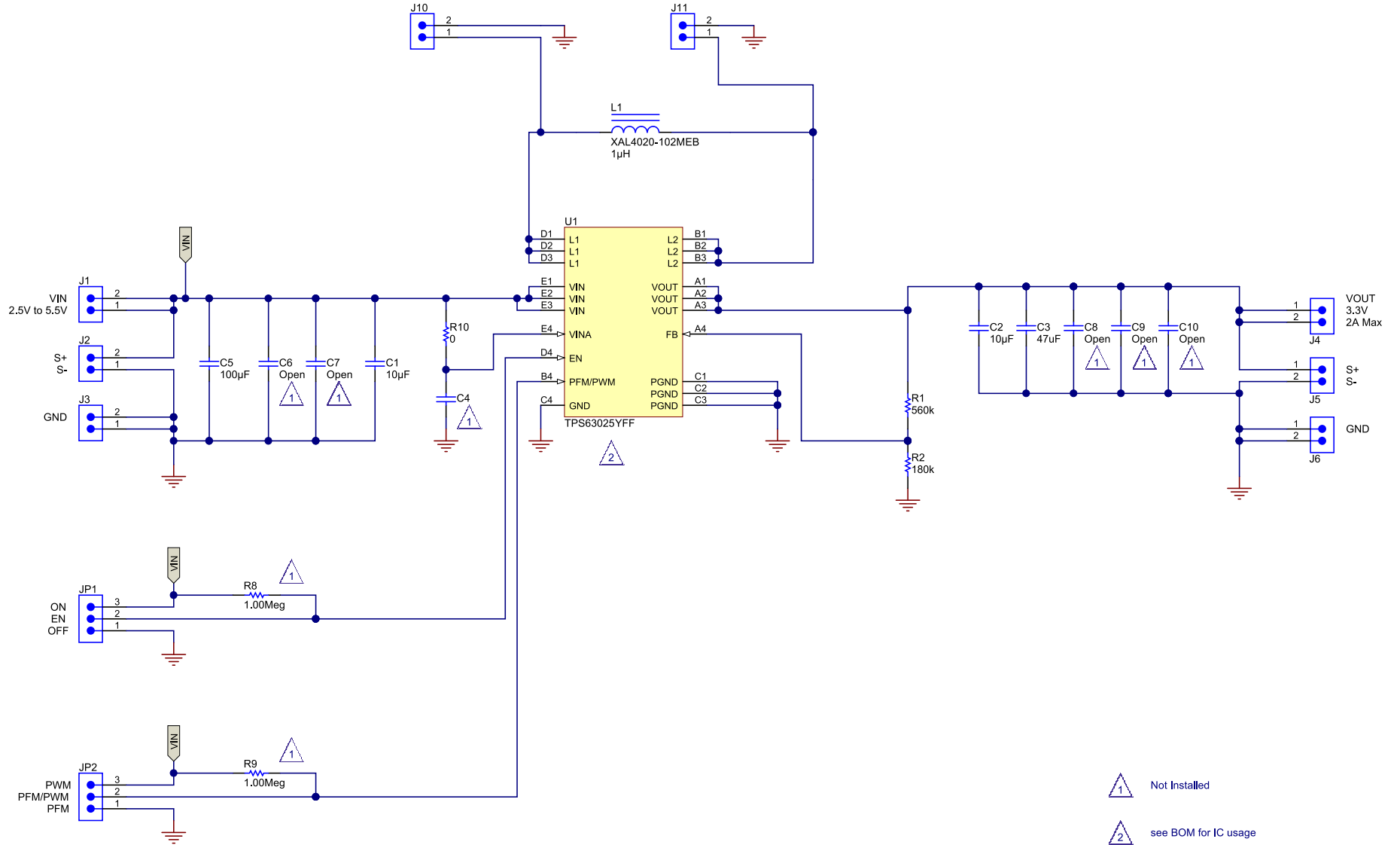


Figure 4. TPS63025xEVM-553 Schematic

IMPORTANT NOTICE

Texas Instruments Incorporated and its subsidiaries (TI) reserve the right to make corrections, enhancements, improvements and other changes to its semiconductor products and services per JESD46, latest issue, and to discontinue any product or service per JESD48, latest issue. Buyers should obtain the latest relevant information before placing orders and should verify that such information is current and complete. All semiconductor products (also referred to herein as "components") are sold subject to TI's terms and conditions of sale supplied at the time of order acknowledgment.

TI warrants performance of its components to the specifications applicable at the time of sale, in accordance with the warranty in TI's terms and conditions of sale of semiconductor products. Testing and other quality control techniques are used to the extent TI deems necessary to support this warranty. Except where mandated by applicable law, testing of all parameters of each component is not necessarily performed.

TI assumes no liability for applications assistance or the design of Buyers' products. Buyers are responsible for their products and applications using TI components. To minimize the risks associated with Buyers' products and applications, Buyers should provide adequate design and operating safeguards.

TI does not warrant or represent that any license, either express or implied, is granted under any patent right, copyright, mask work right, or other intellectual property right relating to any combination, machine, or process in which TI components or services are used. Information published by TI regarding third-party products or services does not constitute a license to use such products or services or a warranty or endorsement thereof. Use of such information may require a license from a third party under the patents or other intellectual property of the third party, or a license from TI under the patents or other intellectual property of TI.

Reproduction of significant portions of TI information in TI data books or data sheets is permissible only if reproduction is without alteration and is accompanied by all associated warranties, conditions, limitations, and notices. TI is not responsible or liable for such altered documentation. Information of third parties may be subject to additional restrictions.

Resale of TI components or services with statements different from or beyond the parameters stated by TI for that component or service voids all express and any implied warranties for the associated TI component or service and is an unfair and deceptive business practice. TI is not responsible or liable for any such statements.

Buyer acknowledges and agrees that it is solely responsible for compliance with all legal, regulatory and safety-related requirements concerning its products, and any use of TI components in its applications, notwithstanding any applications-related information or support that may be provided by TI. Buyer represents and agrees that it has all the necessary expertise to create and implement safeguards which anticipate dangerous consequences of failures, monitor failures and their consequences, lessen the likelihood of failures that might cause harm and take appropriate remedial actions. Buyer will fully indemnify TI and its representatives against any damages arising out of the use of any TI components in safety-critical applications.

In some cases, TI components may be promoted specifically to facilitate safety-related applications. With such components, TI's goal is to help enable customers to design and create their own end-product solutions that meet applicable functional safety standards and requirements. Nonetheless, such components are subject to these terms.

No TI components are authorized for use in FDA Class III (or similar life-critical medical equipment) unless authorized officers of the parties have executed a special agreement specifically governing such use.

Only those TI components which TI has specifically designated as military grade or "enhanced plastic" are designed and intended for use in military/aerospace applications or environments. Buyer acknowledges and agrees that any military or aerospace use of TI components which have **not** been so designated is solely at the Buyer's risk, and that Buyer is solely responsible for compliance with all legal and regulatory requirements in connection with such use.

TI has specifically designated certain components as meeting ISO/TS16949 requirements, mainly for automotive use. In any case of use of non-designated products, TI will not be responsible for any failure to meet ISO/TS16949.

Products

Audio	www.ti.com/audio
Amplifiers	amplifier.ti.com
Data Converters	dataconverter.ti.com
DLP® Products	www.dlp.com
DSP	dsp.ti.com
Clocks and Timers	www.ti.com/clocks
Interface	interface.ti.com
Logic	logic.ti.com
Power Mgmt	power.ti.com
Microcontrollers	microcontroller.ti.com
RFID	www.ti-rfid.com
OMAP Applications Processors	www.ti.com/omap
Wireless Connectivity	www.ti.com/wirelessconnectivity

Applications

Automotive and Transportation	www.ti.com/automotive
Communications and Telecom	www.ti.com/communications
Computers and Peripherals	www.ti.com/computers
Consumer Electronics	www.ti.com/consumer-apps
Energy and Lighting	www.ti.com/energy
Industrial	www.ti.com/industrial
Medical	www.ti.com/medical
Security	www.ti.com/security
Space, Avionics and Defense	www.ti.com/space-avionics-defense
Video and Imaging	www.ti.com/video

TI E2E Community

e2e.ti.com