

**GaAs-IR-Lumineszenzdiode mit Zylinderlinse (950nm)**  
**GaAs Infrared Emitter with cylindrical lens (950nm)**  
**Lead (Pb) Free Product - RoHS Compliant**

**SFH 4111**



**Nicht für Neuentwicklung / Not for new design**

**Wesentliche Merkmale**

- Wellenlänge der Strahlung 950 nm
- Zylinderlinse
- Hohe Strahlstärke
- Geringe Außenabmessungen

**Features**

- Peak wavelength of 950 nm
- Cylindrical lens
- High radiant intensity
- Small outline dimensions

**Anwendungen**

- Bandende Erkennung (z.B. Videorecorder)
- Datenübertragung
- Positionsüberwachung
- Barcode-Leser
- „Messen/Steuern/Regeln“
- Münzzähler

**Applications**

- Tape end detection (VCR e.g.)
- Data transmission
- Position sensing
- Barcode reader
- For control and drive circuits
- Coin counters

Typ Type	Bestellnummer Ordering Code	Ee <sup>1)</sup> [mW/cm <sup>2</sup> ] at d <sup>2)</sup> =6mm, If=4mA
SFH 4111	Q62702P5333	0.25 - 1

<sup>1)</sup> Auf einem Detektor erzeugte Bestrahlungsstärke.  
Irradiance generated on a detector.

<sup>2)</sup> Entfernung zwischen Vorderseite Beinchen und Detektorebene.  
Distance between leadframe front side and detection area.

**Grenzwerte** ( $T_A = 25\text{ °C}$ )**Maximum Ratings**

Bezeichnung Parameter	Symbol Symbol	Wert Value	Einheit Unit
Betriebs- und Lagertemperatur Operating and storage temperature range	$T_{op}; T_{stg}$	- 40 ... + 85	°C
Sperrspannung Reverse voltage	$V_R$	5	V
Durchlaßstrom Forward current	$I_F$ (DC)	50	mA
Stoßstrom, $t_p = 10\ \mu\text{s}$ , $D = 0$ Surge current	$I_{FSM}$	1	A
Verlustleistung Power dissipation	$P_{tot}$	75	mW
Wärmewiderstand Sperrschicht - Umgebung Thermal resistance junction - ambient	$R_{thJA}$	450	K/W

**Kennwerte** ( $T_A = 25\text{ °C}$ )**Characteristics**

Bezeichnung Parameter	Symbol Symbol	Wert Value	Einheit Unit
Wellenlänge der Strahlung Wavelength at peak emission	$\lambda_{peak}$	950	nm
Spektrale Bandbreite bei 50% von $I_{max}$ Spectral bandwidth at 50% of $I_{max}$	$\Delta\lambda$	55	nm
Abstrahlwinkel horizontal/ vertikal Half angle horizontal/ vertical	$\varphi$	$\pm 30/ 60$	Grad deg.
Aktive Chipfläche Active chip area	$A$	0.09	mm <sup>2</sup>
Abmessungen der aktiven Chipfläche Dimensions of the active chip area	$L \times B$ $L \times W$	$0.3 \times 0.3$	mm <sup>2</sup>
Schaltzeiten, $I_e$ von 10% auf 90% und von 90% auf 10%, bei $I_F = 50\text{ mA}$ , $R_L = 50\ \Omega$ Switching times, $I_e$ from 10% to 90% and from 90% to 10%, $I_F = 50\text{ mA}$ , $R_L = 50\ \Omega$	$t_r, t_f$	0.5	$\mu\text{s}$
Kapazität, Capacitance $V_R = 0\text{ V}$ , $f = 1\text{ MHz}$	$C_o$	40	pF

Kennwerte ( $T_A = 25\text{ °C}$ )

Characteristics (cont'd)

Bezeichnung Parameter	Symbol Symbol	Wert Value	Einheit Unit
Durchlaßspannung, Forward voltage $I_F = 20\text{ mA}$ , $t_p = 20\text{ ms}$	$V_F$	1.25 ( $\leq 1.6$ )	V
Sperrstrom, Reverse current $V_R = 5\text{ V}$	$I_R$	0.01 ( $\leq 1.0$ )	$\mu\text{A}$
Gesamtstrahlungsfluß, Total radiant flux $I_F = 20\text{ mA}$ , $t_p = 20\text{ ms}$	$\Phi_e$	3.5	mW
Temperaturkoeffizient von $I_e$ bzw. $\Phi_e$ , Temperature coefficient of $I_e$ or $\Phi_e$ , $I_F = 4\text{ mA}$	$TC_I$	- 1.1	%/K
Temperaturkoeffizient von $V_F$ , $I_F = 4\text{ mA}$ Temperature coefficient of $V_F$ , $I_F = 4\text{ mA}$	$TC_V$	- 1.3	mV/K
Temperaturkoeffizient von $\lambda$ , $I_F = 10\text{ mA}$ Temperature coefficient of $\lambda$ , $I_F = 10\text{ mA}$	$TC_\lambda$	+ 0.3	nm/K

Bezeichnung Parameter	Symbol Symbol	Werte Values	Einheit Unit
Bestrahlungsstärke <sup>1)</sup> Irradiance <sup>1)</sup> $d^2 = 6\text{ mm}$ , $I_F = 4\text{ mA}$ , $t_p = 20\text{ ms}$	$E_e$ <sup>1)</sup>	0.25 ... 1	mW/cm <sup>2</sup>

<sup>1)</sup> Auf einem Detektor erzeugte Bestrahlungsstärke.

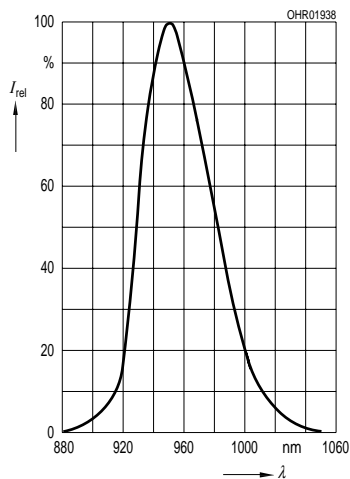
Irradiance generated on a detector.

<sup>2)</sup> Entfernung zwischen Vorderseite Beinchen und Detektorebene.

Distance between leadframe front side and detection area.

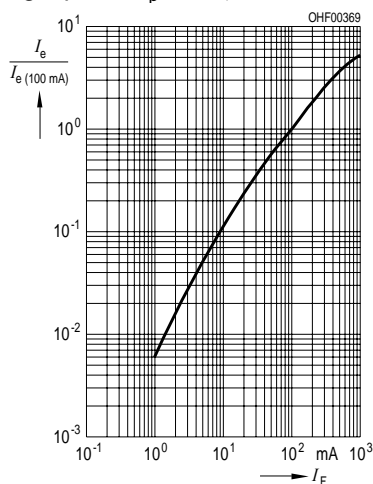
**Relative Spectral Emission**

$I_{rel} = f(\lambda)$



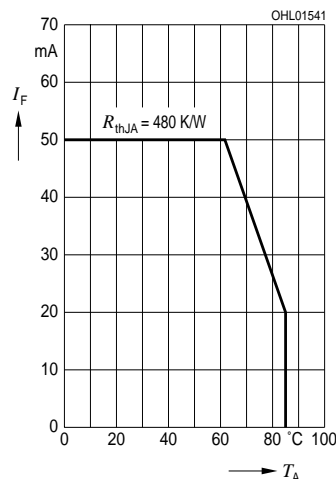
**Radiant Intensity**  $\frac{I_e}{I_e 100 \text{ mA}} = f(I_F)$

Single pulse,  $t_p = 20 \mu\text{s}$



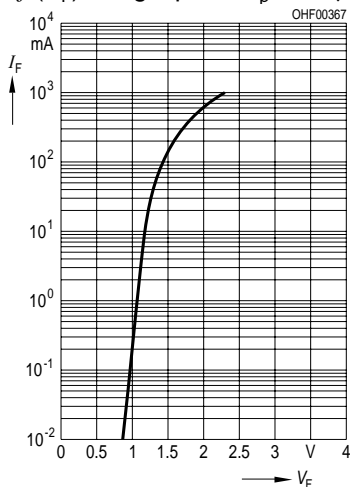
**Max. Permissible Forward Current**

$I_F = f(T_A)$



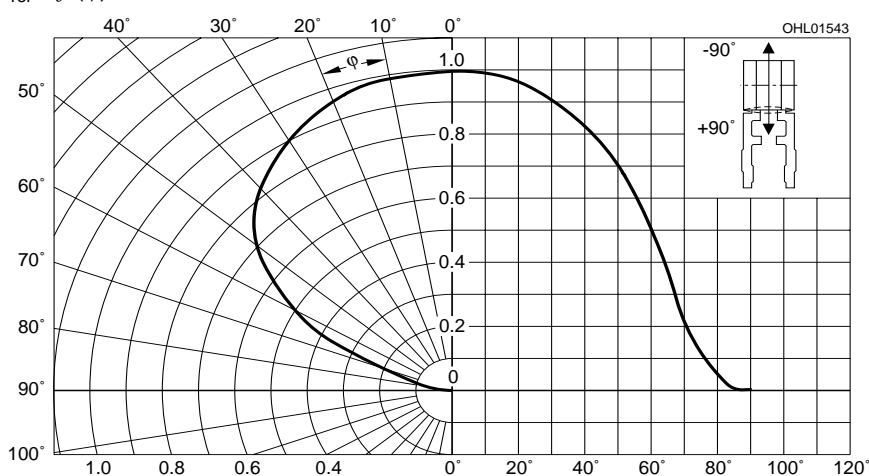
**Forward Current**

$I_F = f(V_F)$ , Single pulse,  $t_p = 20 \mu\text{s}$



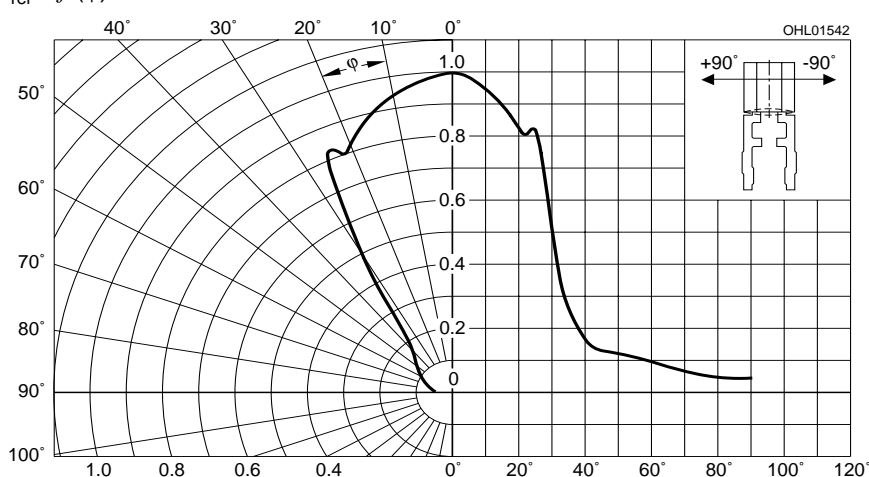
**Radiation Characteristics/ vertical**

$I_{rel} = f(\varphi)$

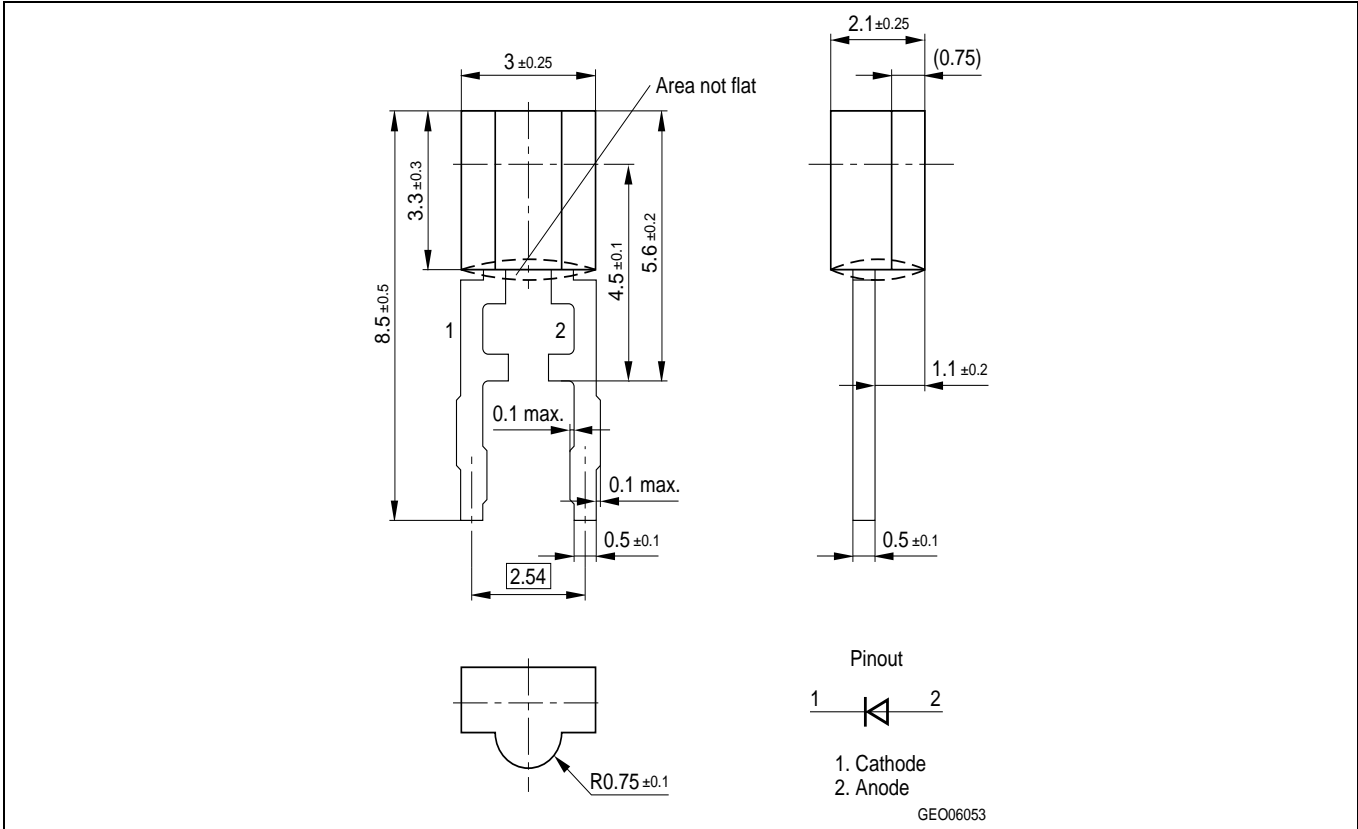


**Radiation Characteristics/ horiz.**

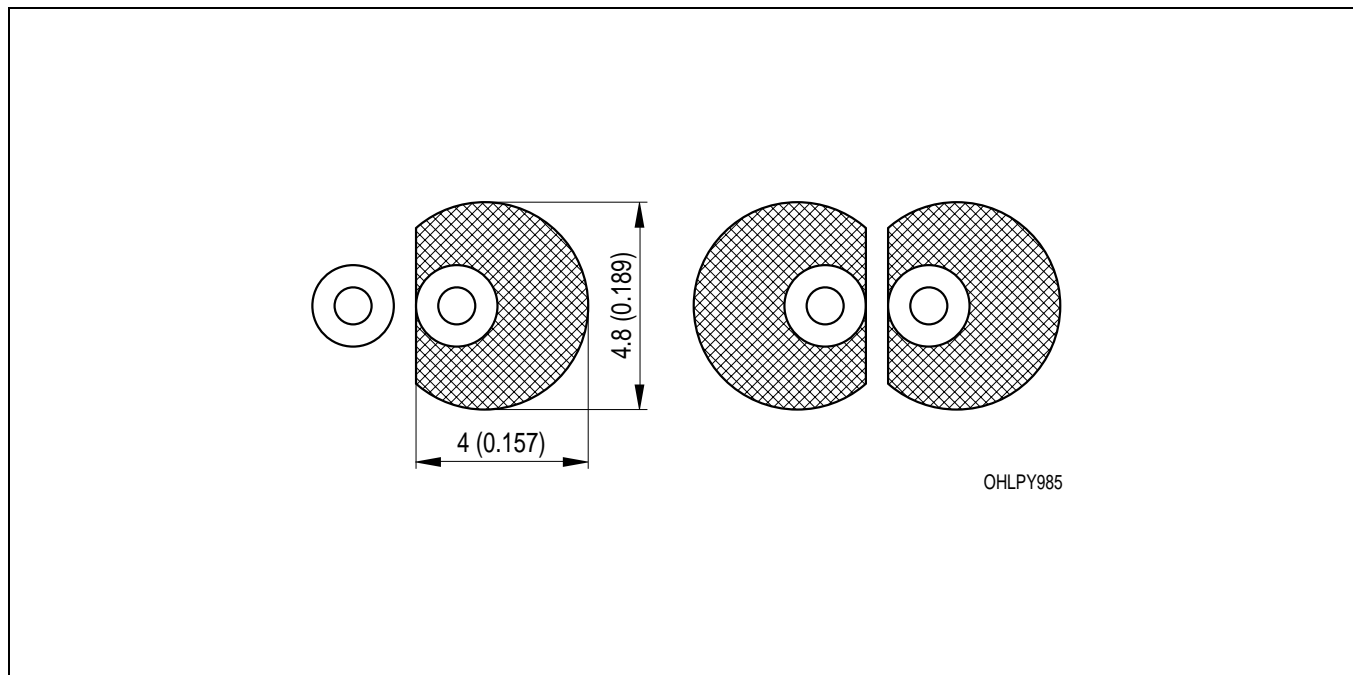
$I_{rel} = f(\varphi)$



Maßzeichnung  
Package Outlines



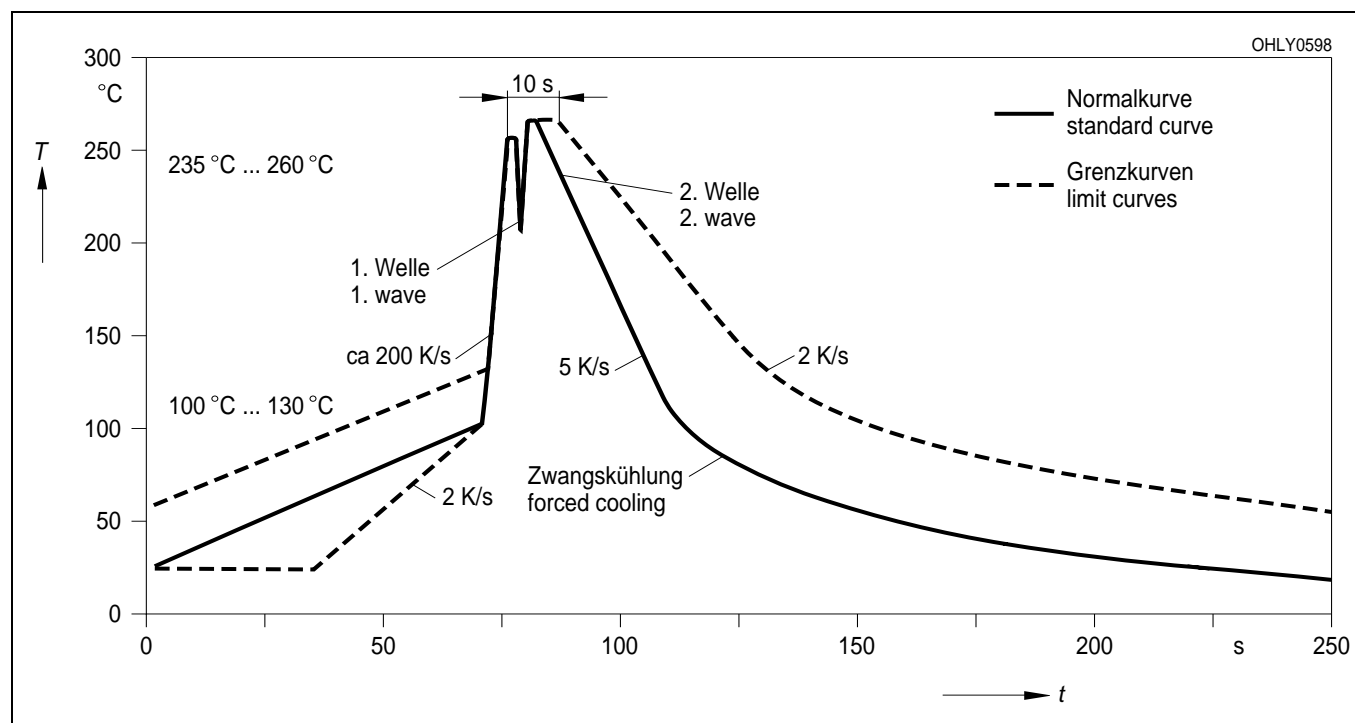
Maße in mm (inch) / Dimensions in mm (inch).

**Empfohlenes Lötpaddesign**  
**Recommended Solder Pad**Wellenlöten (TTW)  
TTW Soldering

Maße in mm (inch) / Dimensions in mm (inch).

**Lötbedingungen**  
**Soldering Conditions**  
**Wellenlöten (TTW)**  
**TTW Soldering**

(nach CECC 00802)  
(acc. to CECC 00802)



Published by  
**OSRAM Opto Semiconductors GmbH**  
Wernerwerkstrasse 2, D-93049 Regensburg

[www.osram-os.com](http://www.osram-os.com)

© All Rights Reserved.

The information describes the type of component and shall not be considered as assured characteristics. Terms of delivery and rights to change design reserved. Due to technical requirements components may contain dangerous substances. For information on the types in question please contact our Sales Organization.

**Packing**

Please use the recycling operators known to you. We can also help you – get in touch with your nearest sales office. By agreement we will take packing material back, if it is sorted. You must bear the costs of transport. For packing material that is returned to us unsorted or which we are not obliged to accept, we shall have to invoice you for any costs incurred.

**Components used in life-support devices or systems must be expressly authorized for such purpose!** Critical components<sup>1</sup>, may only be used in life-support devices or systems<sup>2</sup> with the express written approval of OSRAM OS.

<sup>1</sup> A critical component is a component used in a life-support device or system whose failure can reasonably be expected to cause the failure of that life-support device or system, or to affect its safety or effectiveness of that device or system.

<sup>2</sup> Life support devices or systems are intended (a) to be implanted in the human body, or (b) to support and/or maintain and sustain human life. If they fail, it is reasonable to assume that the health of the user may be endangered.

EU RoHS and China RoHS compliant product



此产品符合欧盟 RoHS 指令的要求；

按照中国的相关法规和标准，不含有毒有害物质或元素。