

CDMA Evaluation Board For PLL Frequency Synthesizer

FEATURES

Self-contained evaluation board that includes a synthesizer, VCO, and loop filter for generating CDMA frequencies (824 MHz to 849 MHz)

Designed for 3 kHz loop bandwidth

Accompanying software allows complete control of synthesizer functions from a PC

Battery operated: choice of 3 V or 5 V supply

Typical phase noise performance of -81 dBc/Hz at 300 Hz offset

Typical spurious performance of better than -81 dBc at 30 kHz offset from carrier

GENERAL DESCRIPTION

The EVAL-ADF4112EBZ1 evaluation board is designed to evaluate the performance of the [ADF4112](#) frequency synthesizer for phase locked loops (PLLs). Figure 1 is the functional block diagram of the board and shows the [ADF4112](#) frequency synthesizer, a PC connector, an SMA connector for the reference input, the power supplies, and an RF output. There is also a loop filter (3 kHz bandwidth) and a voltage controlled oscillator (VCO) incorporated on the board. A cable is included in the evaluation board package to connect the evaluation board to a PC printer port.

The evaluation board package contains Windows® based software to allow easy programming of the [ADF4112](#) frequency synthesizer.

FUNCTIONAL BLOCK DIAGRAM

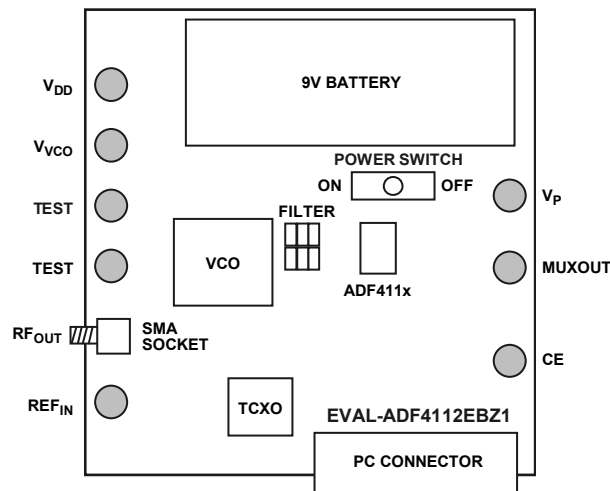


Figure 1.

09147-001

TABLE OF CONTENTS

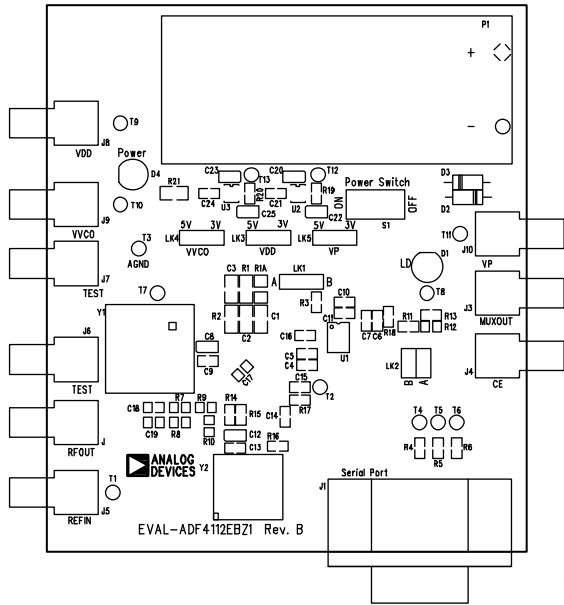
Features	1	Evaluation Board Software.....	4
General Description	1	Installing the Software	4
Functional Block Diagram	1	Using the Software	4
Revision History	2	Evaluation Board Schematics.....	5
Evaluation Board Hardware.....	3		

REVISION HISTORY

7/11—Revision 0: Initial Version

EVALUATION BOARD HARDWARE

The evaluation board package includes a cable for connecting the EVAL-ADF4112EBZ1 to the printer port of a PC. The silkscreen and cable diagram for the evaluation board are shown in Figure 2 and Figure 3. The board schematics are shown in Figure 5 and Figure 6.



NOTES:
 1. THE VALUES FOR LOOP COMPONENTS ARE AS FOLLOWS:
 C1 = 4.7nF, C2 = 47nF, C3 = 620pF, R1 = 5.1kΩ, R2 = 22kΩ.

Figure 2. Evaluation Board Silkscreen

The evaluation board is powered from a single 9 V battery. The power supply circuitry allows the user to individually choose either 3 V or 5 V for the V_{DD} of the ADF4112, the V_P of the ADF4112, and the supply of the VCO. The default settings are 3 V for the

V_{DD} of the ADF4112 and 5 V for the V_P of the ADF4112 and for the supply of the VCO.

It is important to note that the V_{DD} of the ADF4112 should never exceed the V_P of the ADF4112 because damage to the device may result.

The EVAL-ADF4112EBZ1 includes all the components required for LO generation. A 13 MHz temperature compensated crystal oscillator (TCXO) from Vectron International, Inc., provides the necessary reference input. The PLL comprises the ADF4112 frequency synthesizer, the passive loop filter (20 kHz bandwidth), and the VCO (190-836T from Vari-L Company, Inc.). The output is available at RFOUT through a standard SMA connector. A different reference input and different power supplies can be used, if desired. In this case, insert SMA connectors as shown in the silkscreen (Figure 2) and cable diagram (Figure 3).

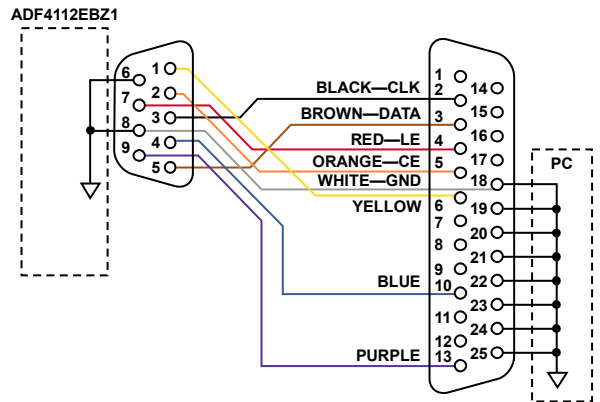


Figure 3. PC Cable Diagram

EVALUATION BOARD SOFTWARE

The evaluation board software is provided on the CD-ROM included in the evaluation board package.

INSTALLING THE SOFTWARE

To load the software, double-click **setup.exe**, and then follow the on-screen instructions from the installation wizard. The software is installed into the default directory **C:/Program Files/Analog Devices**.

USING THE SOFTWARE

To run the software,

1. From the **Start** menu, point to **Program** and **ADF4XXX**, and then click **ADF4XXX_revx**.
2. A dialog box appears, asking which device is to be evaluated. Select **ADF4112**, and click **OK**. The **Main Interface Page** window appears (see Figure 4).
3. Click **Evaluation Board**, and the **Evaluation Board** window appears. Select **ADF4112EBZ1** from the list, and click **OK**.

The **ADF4112** frequency synthesizer is then programmed with the correct settings for a CDMA system working at 836 MHz. In addition, a 30 kHz PFD frequency is set up, a 32/33 prescaler is chosen, and a charge pump current of 5 mA is programmed.

To change any of these settings, click the parameter to be modified (for example, click **RF VCO Output Frequency**). A dialog box appears in which you can either type in a new value or increment and decrement the set value by the channel spacing.

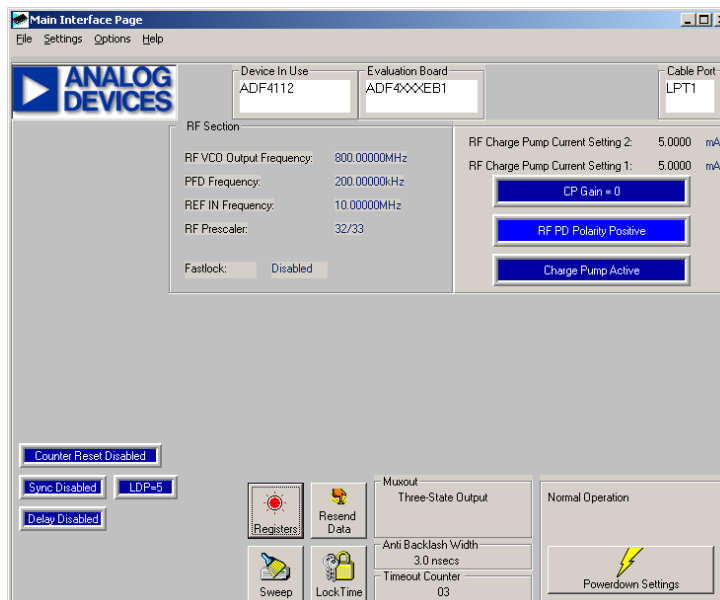
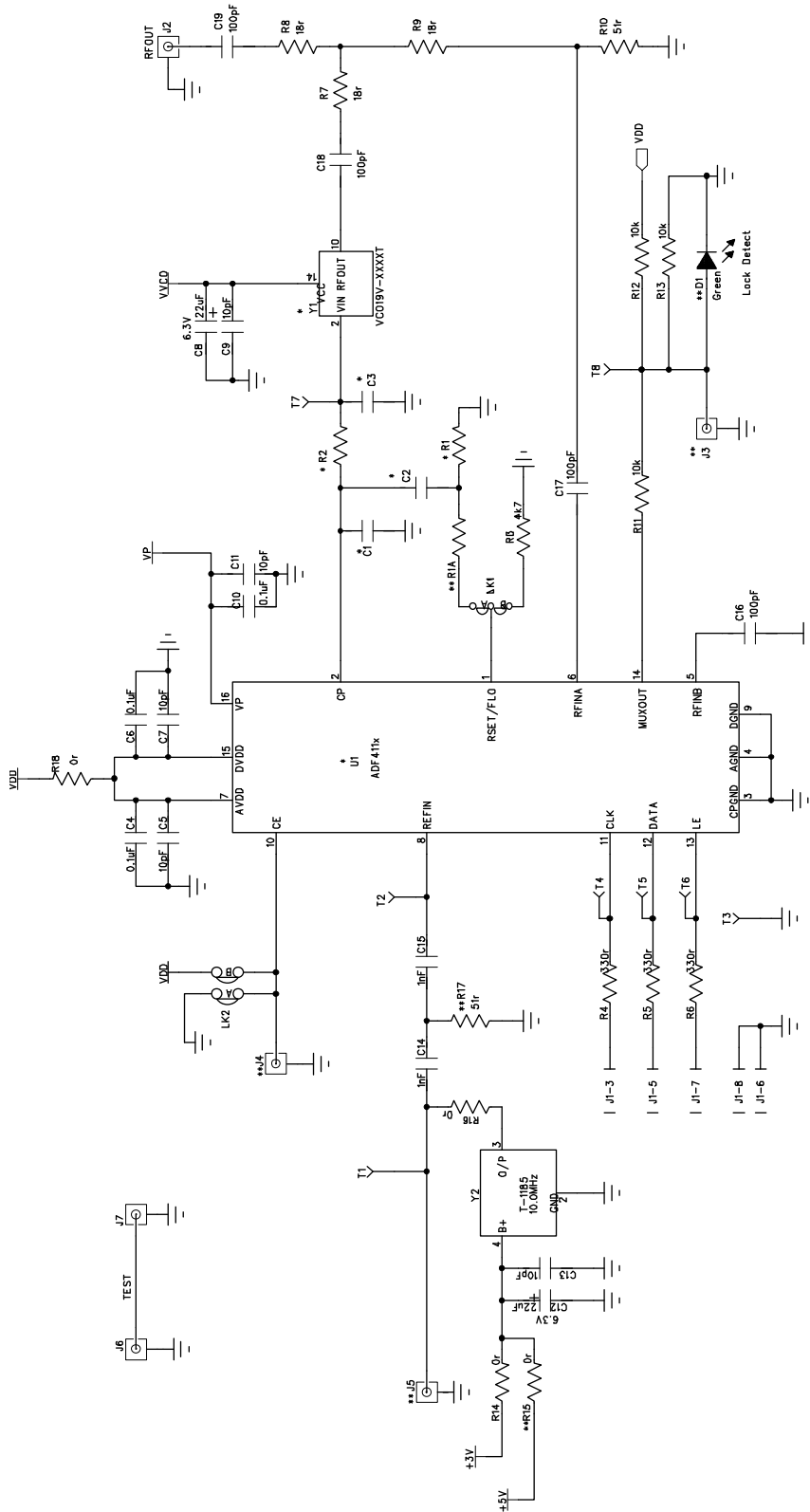


Figure 4. Main Interface Page Window

EVALUATION BOARD SCHEMATICS



09147-004

Note on non-inserted components.
 * - These components must be inserted by the user for correct operation of the board.
 ** - These components can be inserted by the user for expansion purposes.

Figure 5. Evaluation Board Circuit Diagram (Page 1)

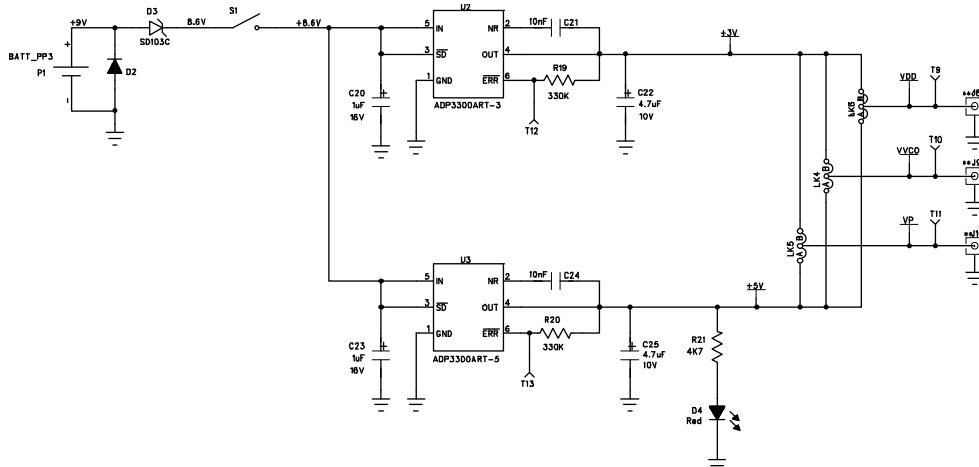


Figure 6. Evaluation Board Circuit Diagram (Page 2)

09147-005

NOTES

NOTES

**ESD Caution**

ESD (electrostatic discharge) sensitive device. Charged devices and circuit boards can discharge without detection. Although this product features patented or proprietary protection circuitry, damage may occur on devices subjected to high energy ESD. Therefore, proper ESD precautions should be taken to avoid performance degradation or loss of functionality.

Legal Terms and Conditions

By using the evaluation board discussed herein (together with any tools, components documentation or support materials, the "Evaluation Board"), you are agreeing to be bound by the terms and conditions set forth below ("Agreement") unless you have purchased the Evaluation Board, in which case the Analog Devices Standard Terms and Conditions of Sale shall govern. Do not use the Evaluation Board until you have read and agreed to the Agreement. Your use of the Evaluation Board shall signify your acceptance of the Agreement. This Agreement is made by and between you ("Customer") and Analog Devices, Inc. ("ADI"), with its principal place of business at One Technology Way, Norwood, MA 02062, USA. Subject to the terms and conditions of the Agreement, ADI hereby grants to Customer a free, limited, personal, temporary, non-exclusive, non-sublicensable, non-transferable license to use the Evaluation Board FOR EVALUATION PURPOSES ONLY. Customer understands and agrees that the Evaluation Board is provided for the sole and exclusive purpose referenced above, and agrees not to use the Evaluation Board for any other purpose. Furthermore, the license granted is expressly made subject to the following additional limitations: Customer shall not (i) rent, lease, display, sell, transfer, assign, sublicense, or distribute the Evaluation Board; and (ii) permit any Third Party to access the Evaluation Board. As used herein, the term "Third Party" includes any entity other than ADI, Customer, their employees, affiliates and in-house consultants. The Evaluation Board is NOT sold to Customer; all rights not expressly granted herein, including ownership of the Evaluation Board, are reserved by ADI. CONFIDENTIALITY. This Agreement and the Evaluation Board shall all be considered the confidential and proprietary information of ADI. Customer may not disclose or transfer any portion of the Evaluation Board to any other party for any reason. Upon discontinuation of use of the Evaluation Board or termination of this Agreement, Customer agrees to promptly return the Evaluation Board to ADI. ADDITIONAL RESTRICTIONS. Customer may not disassemble, decompile or reverse engineer chips on the Evaluation Board. Customer shall inform ADI of any occurred damages or any modifications or alterations it makes to the Evaluation Board, including but not limited to soldering or any other activity that affects the material content of the Evaluation Board. Modifications to the Evaluation Board must comply with applicable law, including but not limited to the RoHS Directive. TERMINATION. ADI may terminate this Agreement at any time upon giving written notice to Customer. Customer agrees to return to ADI the Evaluation Board at that time. LIMITATION OF LIABILITY. THE EVALUATION BOARD PROVIDED HEREUNDER IS PROVIDED "AS IS" AND ADI MAKES NO WARRANTIES OR REPRESENTATIONS OF ANY KIND WITH RESPECT TO IT. ADI SPECIFICALLY DISCLAIMS ANY REPRESENTATIONS, ENDORSEMENTS, GUARANTEES, OR WARRANTIES, EXPRESS OR IMPLIED, RELATED TO THE EVALUATION BOARD INCLUDING, BUT NOT LIMITED TO, THE IMPLIED WARRANTY OF MERCHANTABILITY, TITLE, FITNESS FOR A PARTICULAR PURPOSE OR NON-INFRINGEMENT OF INTELLECTUAL PROPERTY RIGHTS. IN NO EVENT WILL ADI AND ITS LICENSORS BE LIABLE FOR ANY INCIDENTAL, SPECIAL, INDIRECT, OR CONSEQUENTIAL DAMAGES RESULTING FROM CUSTOMER'S POSSESSION OR USE OF THE EVALUATION BOARD, INCLUDING BUT NOT LIMITED TO LOST PROFITS, DELAY COSTS, LABOR COSTS OR LOSS OF GOODWILL. ADI'S TOTAL LIABILITY FROM ANY AND ALL CAUSES SHALL BE LIMITED TO THE AMOUNT OF ONE HUNDRED US DOLLARS (\$100.00). EXPORT. Customer agrees that it will not directly or indirectly export the Evaluation Board to another country, and that it will comply with all applicable United States federal laws and regulations relating to exports. GOVERNING LAW. This Agreement shall be governed by and construed in accordance with the substantive laws of the Commonwealth of Massachusetts (excluding conflict of law rules). Any legal action regarding this Agreement will be heard in the state or federal courts having jurisdiction in Suffolk County, Massachusetts, and Customer hereby submits to the personal jurisdiction and venue of such courts. The United Nations Convention on Contracts for the International Sale of Goods shall not apply to this Agreement and is expressly disclaimed.