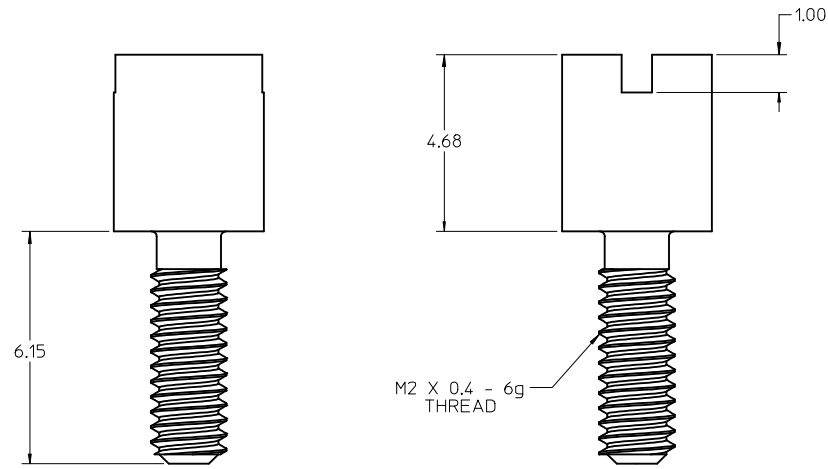
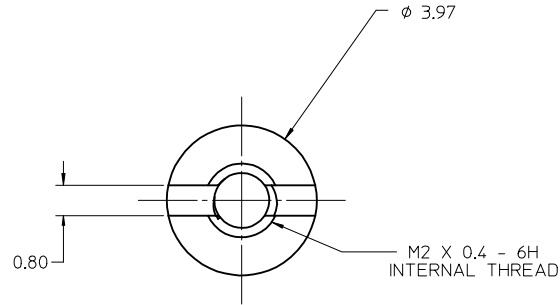


NOTES:

1. MATERIAL: HOT ROLLED STEEL.
2. FINISH: BRIGHT NICKEL OVERALL.
3. PACKAGING: 200 PARTS TO BE BULK PACKED IN BAGS.



INITIAL RELEASE EC NO: UCP2007-2550 DRWN:MSI BARRA 2007/05/15 CHKD:BBARKER 2007/05/17 APPR:SMILLER 2007/05/18	QUALITY SYMBOLS ▽=0 ▽=0	GENERAL TOLERANCES (UNLESS SPECIFIED)		DIMENSION STYLE MM ONLY		SCALE 10:1	DESIGN UNITS METRIC	THIRD ANGLE PROJECTION		
				DRAWN BY MIBARRA	DATE 2007/04/09	TITLE VHDCI M2 X 0.4MM FEMALE ROUND SCREWLOCK				
				CHECKED BY BBARKER	DATE 2007/04/09	MOLEX INCORPORATED				
				APPROVED BY SMILLER	DATE 2007/04/09	MATERIAL NO. 71433-0010	DOCUMENT NO. SD-71433-010	SHEET NO. 1 OF 1		
A1	DESCRIPTION	DRAFT WHERE APPLICABLE MUST REMAIN WITHIN DIMENSIONS		SIZE C	THIS DRAWING CONTAINS INFORMATION THAT IS PROPRIETARY TO MOLEX INCORPORATED AND SHOULD NOT BE USED WITHOUT WRITTEN PERMISSION					