

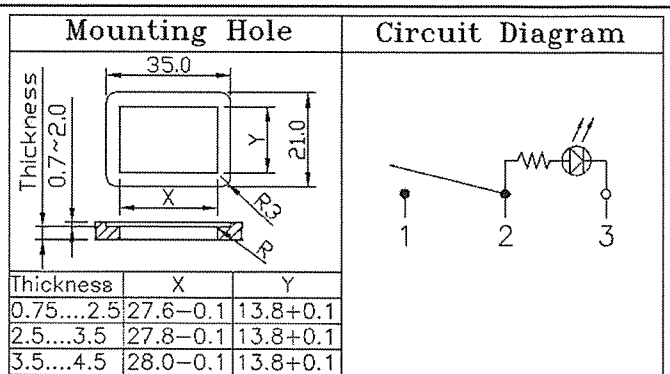
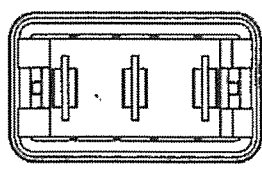
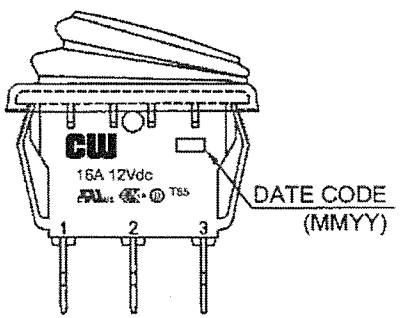
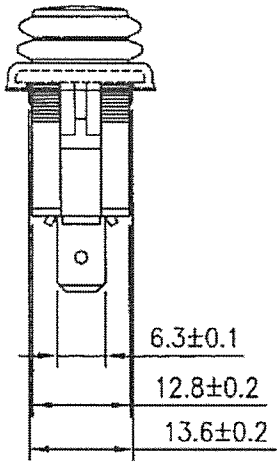
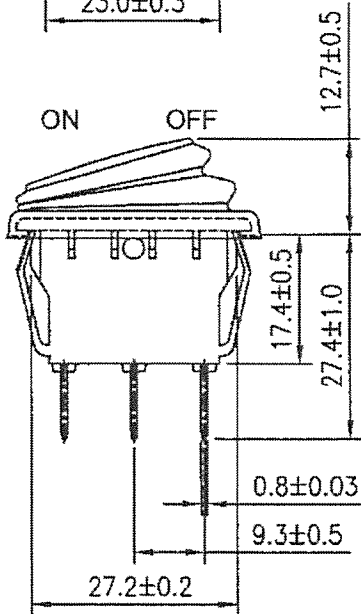
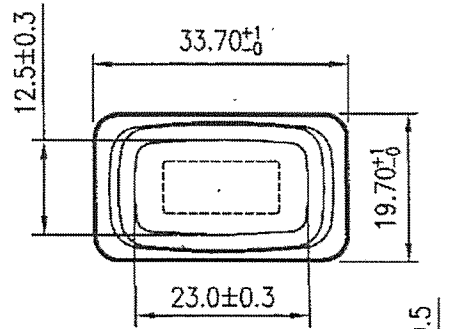


THIS INFORMATION IS CONFIDENTIAL AND PROPRIETARY TO CW INDUSTRIES INCORPORATED AND ITS AFFILIATES. IT MAY NOT BE DISCLOSED TO ANYONE, OTHER THAN CW INDUSTRIES PERSONNEL, WITHOUT WRITTEN AUTHORIZATION FROM CW INDUSTRIES INCORPORATED, SOUTHAMPTON, PENNSYLVANIA USA.

Rating	16A 12Vdc   T85	
Contact Resistance	50m ohm Max.	
Insulation Resistance	DC 500V 100M ohm Min.	
Dielectric Strength	AC 1500V 1 minute	
Operation Temp.	- 25° C ~ 85° C	
Switch Function	3P SPST ON-OFF Lamp Dependent	
Lamp Type	LED Red 12VDC 14V w/resistor	




MATERIAL:
 Frame: Black, Nylon 66 (94-V2)
 Actuator: Red, PC clear (94-V2)
 Waterproof rubber: Black, Silicone
 Terminals 1,2: Silver plated, Copper alloy
 Terminal 3: Brass alloy
 Printed: None
 IP rating: IP65
 LED: Red



Order Chart										
Series	Frame Color	Led Color	Lamp Type							Rating
GRB238	B8	01	B R R	L	1	Z				
Function		Terminal Type		Actuator Color		Voltage				

Replacing GRB238B801BR1

R13-238B8-01

 INDUSTRIES Southampton, Pa. 18966 Tel 215.355.7080/www.cwind.com	Date Drawn: 1/18/18	Rev. 0	Unit: mm	Checked By: <i>G. GULD</i>
	Title: ROCKER SWITCH	CW P/N: GRB238B801BRRL1 Z		