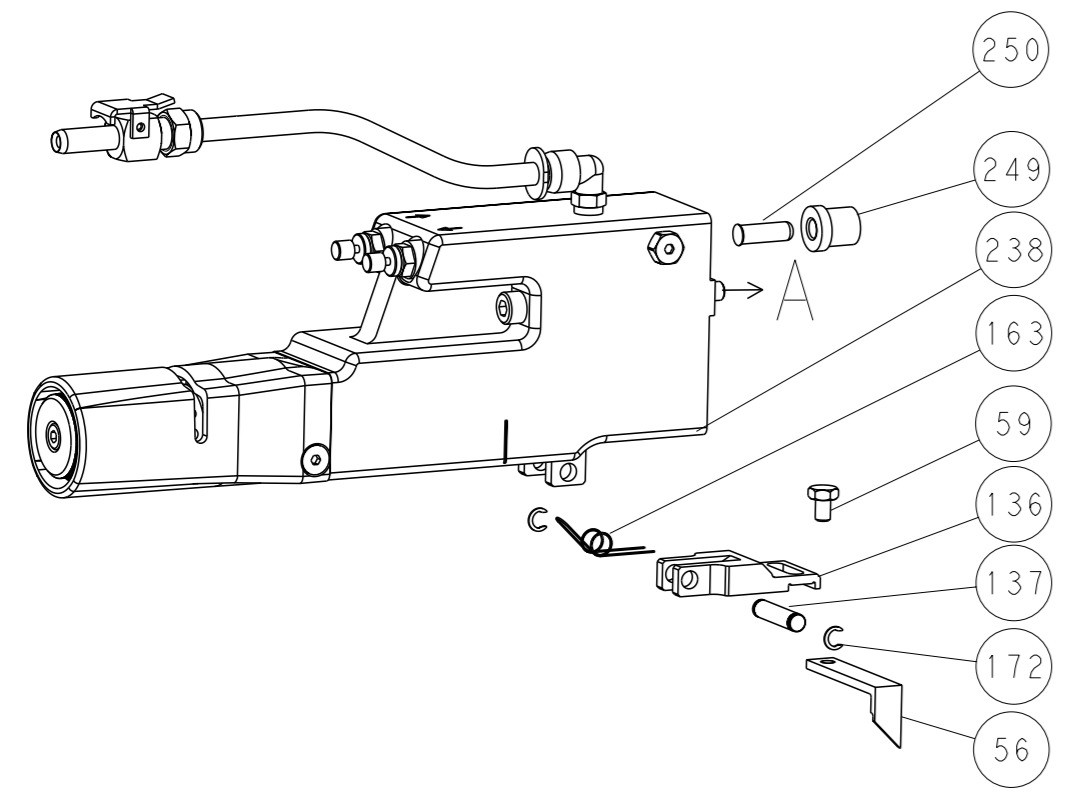


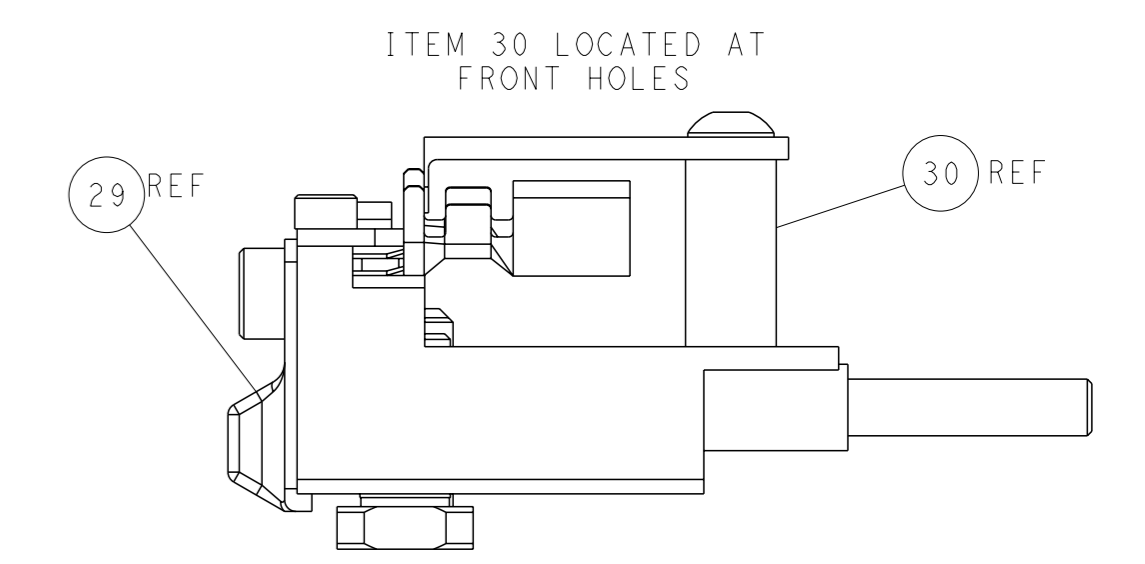
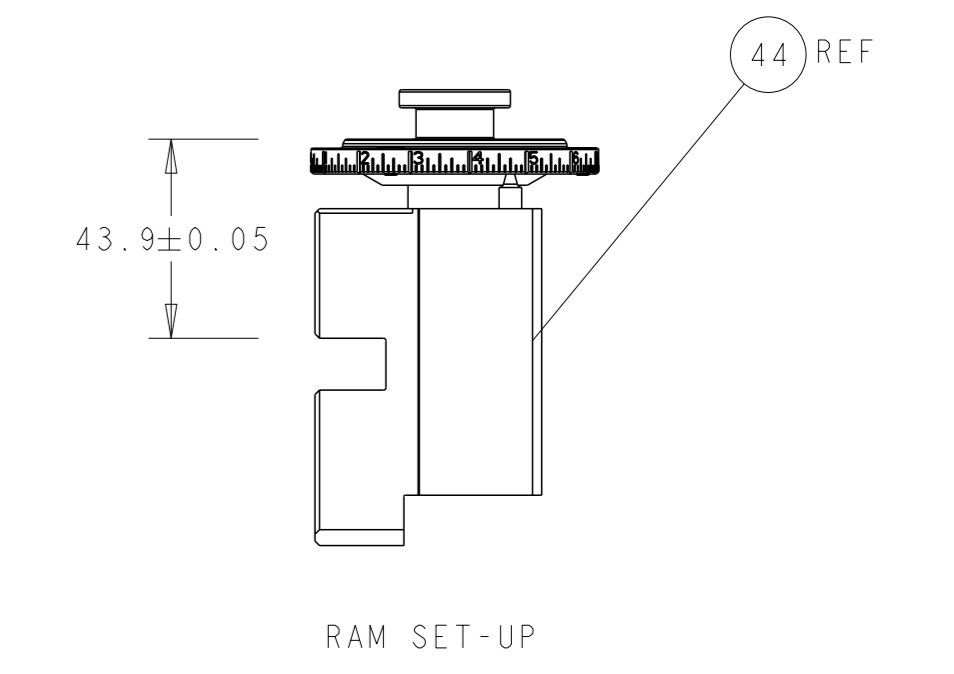
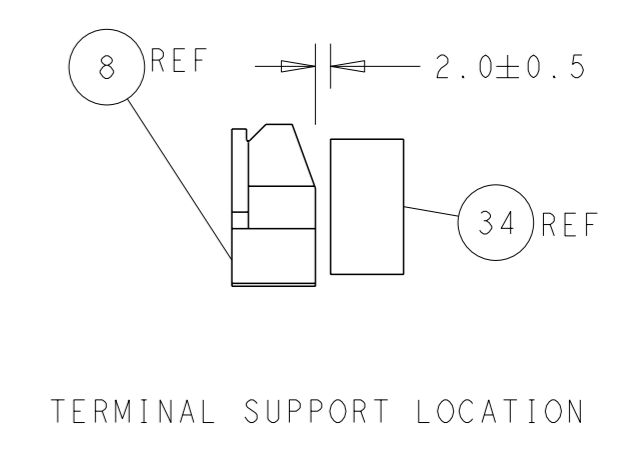
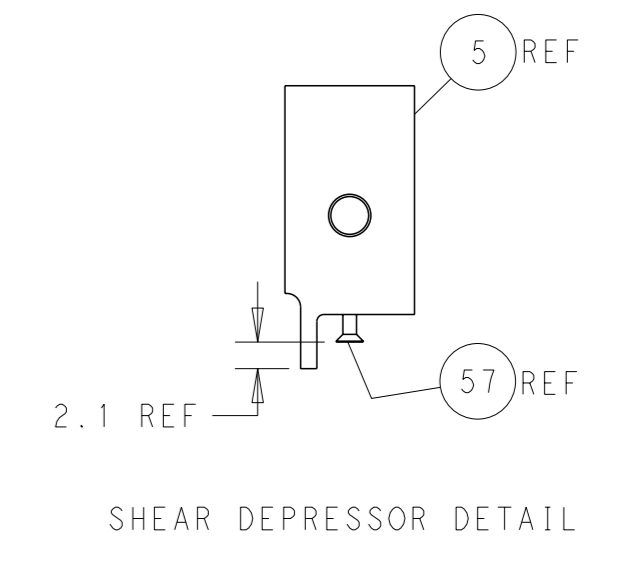
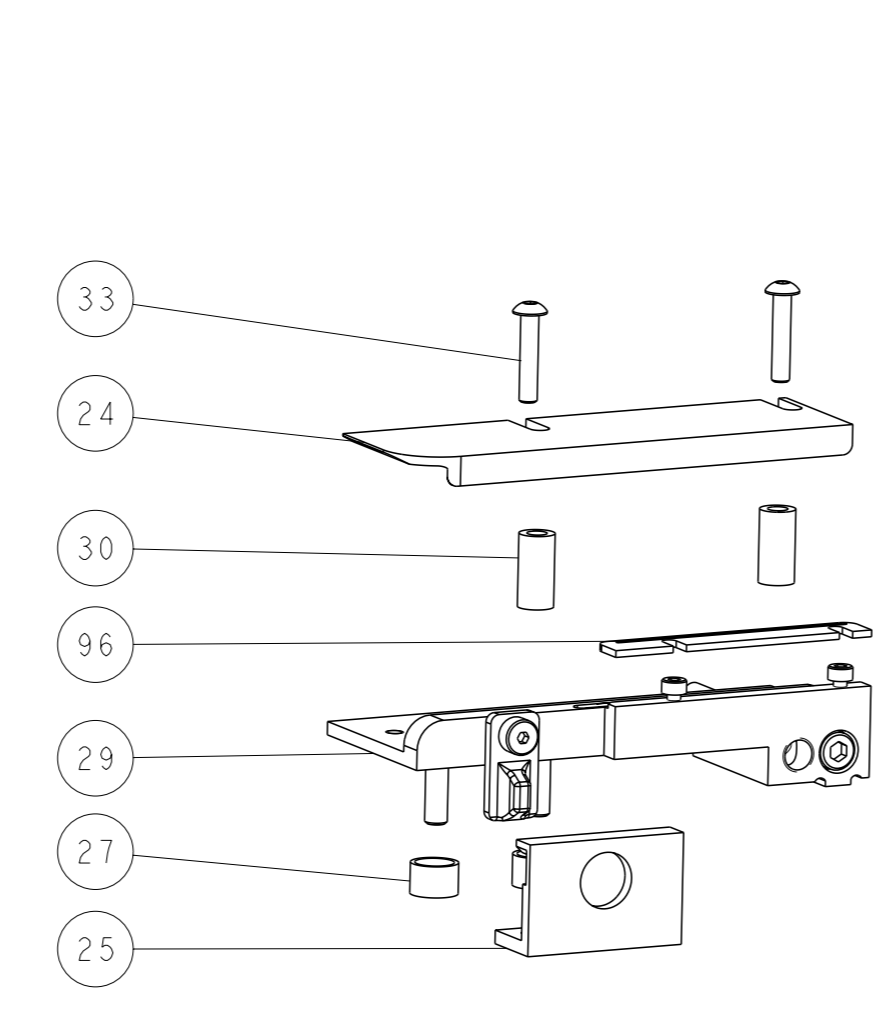
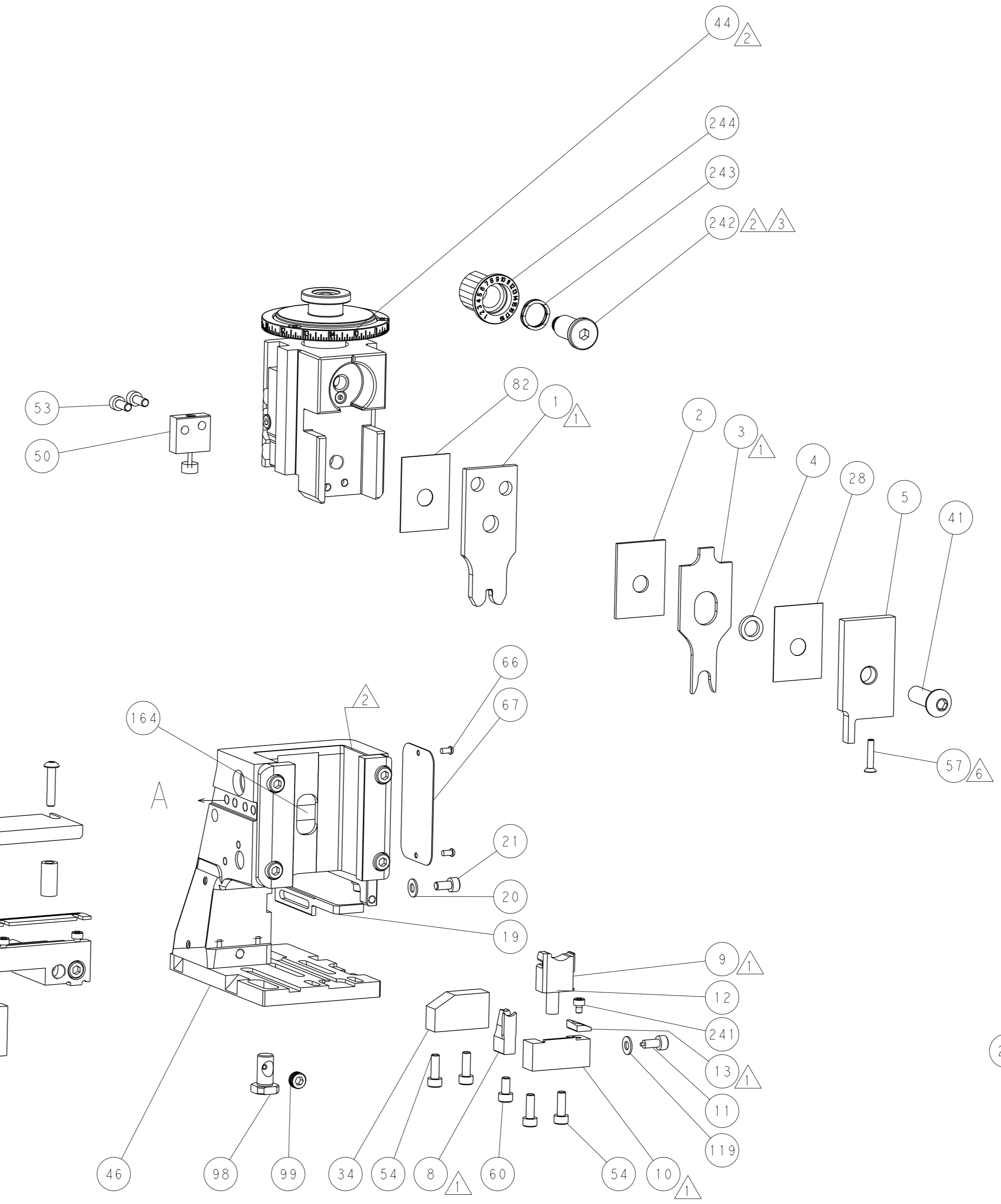
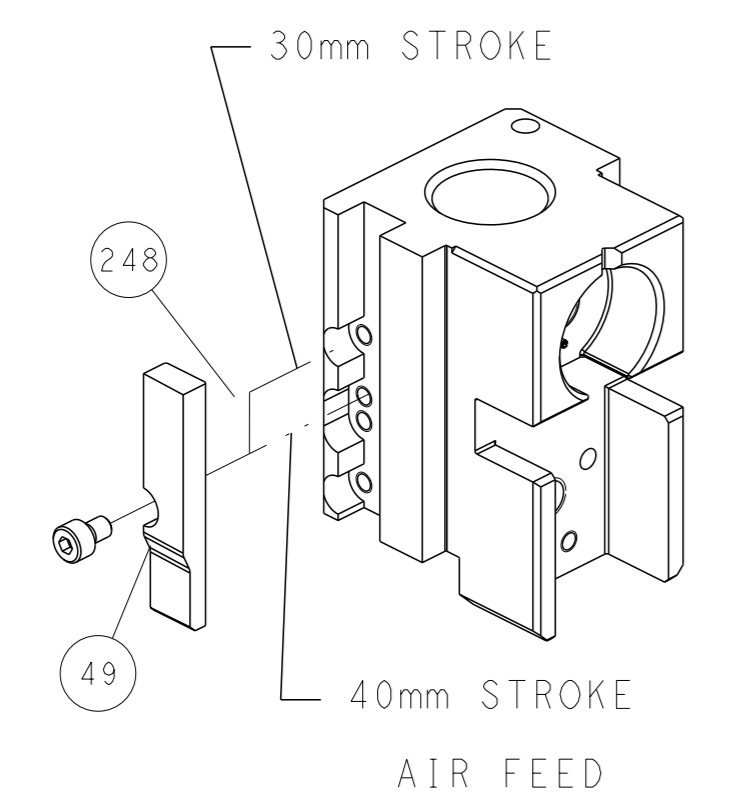
LOC	DIST	REVISIONS			
		REV	DATE	BY	APPV
A	66	1	SEE SHEET 1	-	-

FEED TYPE

PNEUMATIC



CAM POSITION



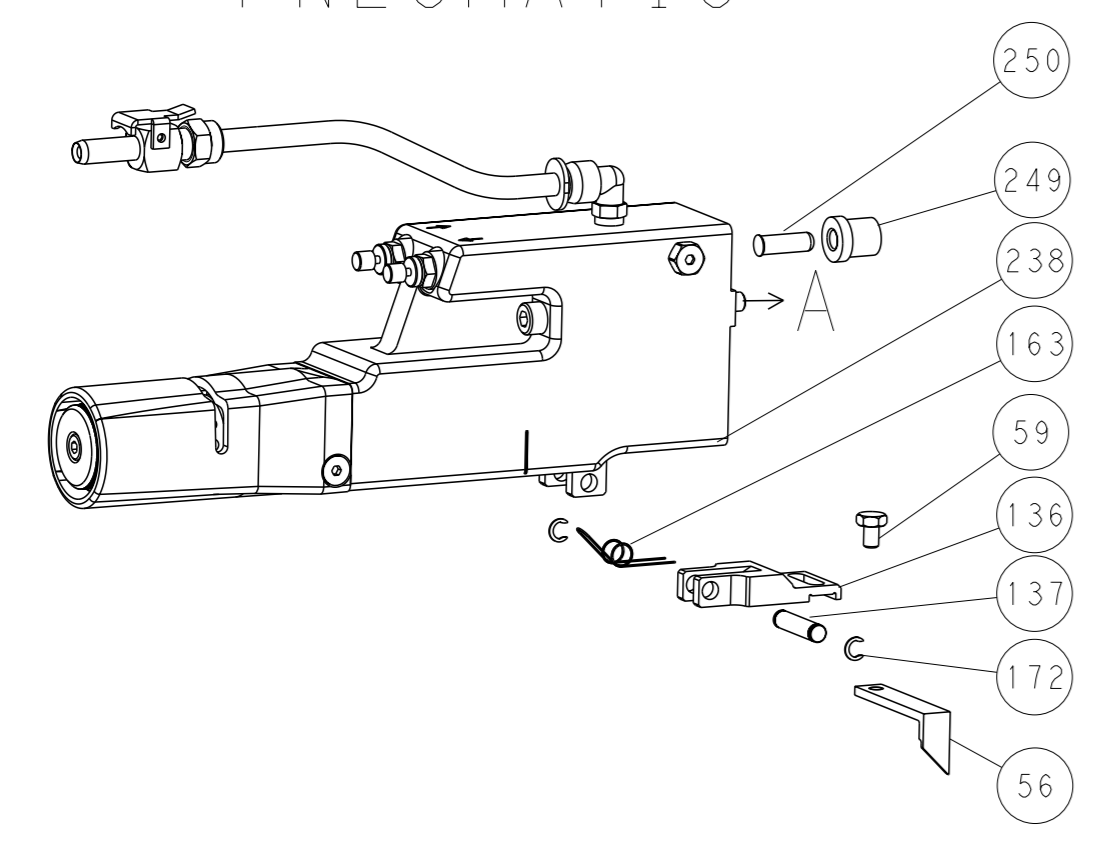
ATLANTIC VERSION
 Shown on sheets 1 of 4 & 2 of 4
 (Pacific version shown on sheets 3 of 4 & 4 of 4)

<small>THIS DRAWING IS A CONTROLLED DOCUMENT FOR TYCO ELECTRONICS CORPORATION. IT IS SUBJECT TO CHANGE AND THE CONTROLLING ENGINEERING ORGANIZATION SHOULD BE CONTACTED FOR THE LATEST REVISION.</small>		OWN: H. HUANG CHK: S. XI APVD: S. XI DATE: 16MAY2012	NAME: Ocean Side Feed Applicator SIZE: A1 CAGE CODE: 00779 DRAWING NO: 2151662 RESTRICTED TO: F
DIMENSIONS: mm TOLERANCES UNLESS OTHERWISE SPECIFIED: 0 PLC ± 1 PLC ± 2 PLC ± 3 PLC ± 4 PLC ± ANGLES FINISH ±	WEIGHT: - SCALE: 1:2 SHEET: 2 of 4 REV: F	TE Connectivity Harrisburg, PA 17105-3608	

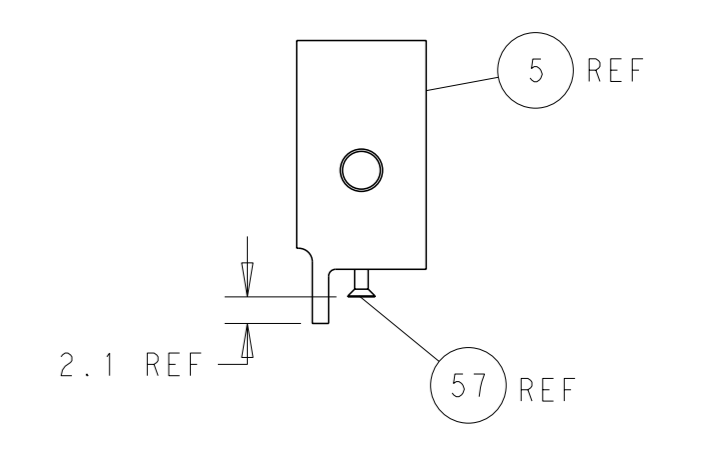
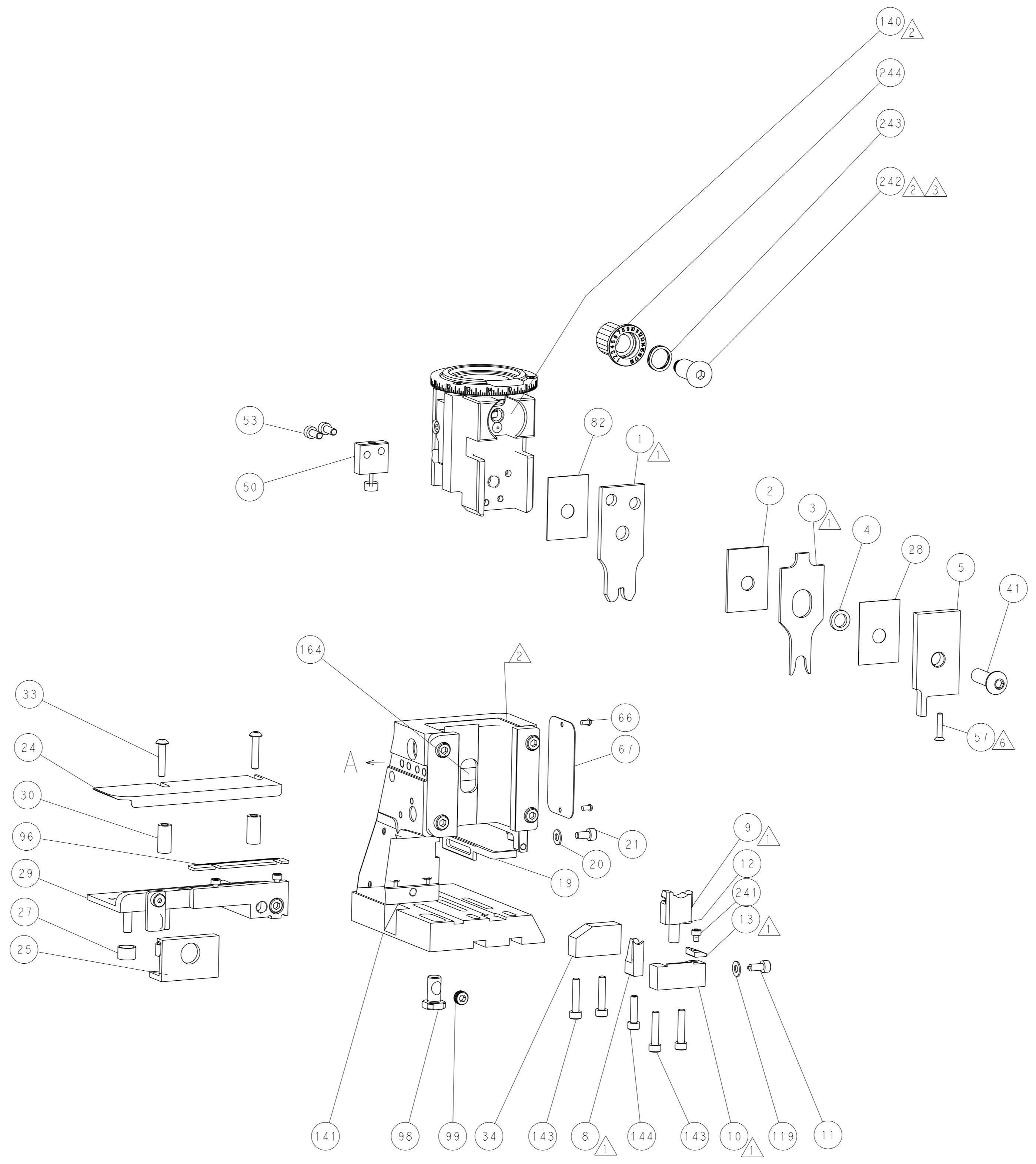
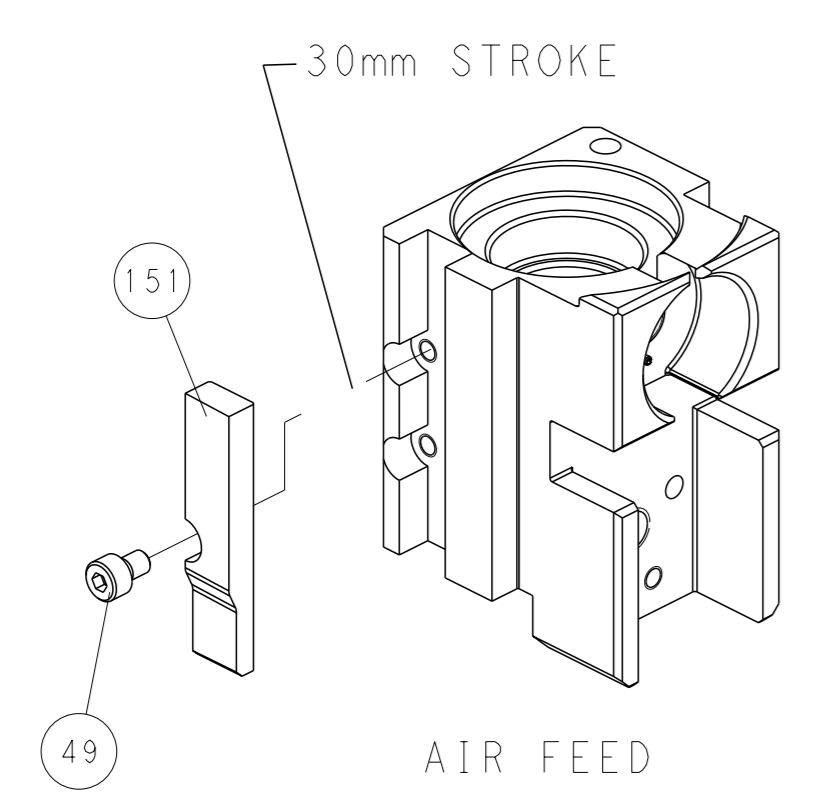
LOC	DIST	REV	DATE	OWN	APVD
A	66				

FEED TYPE

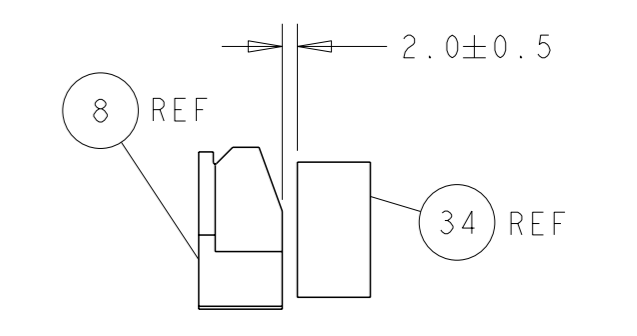
PNEUMATIC



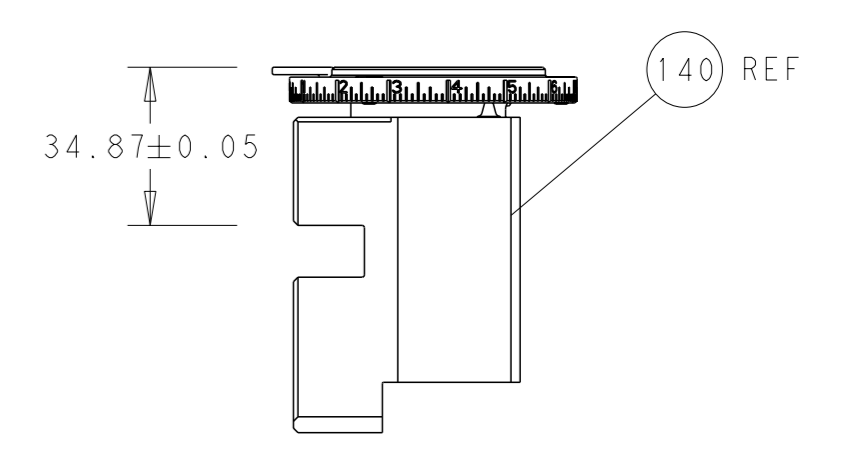
CAM POSITION



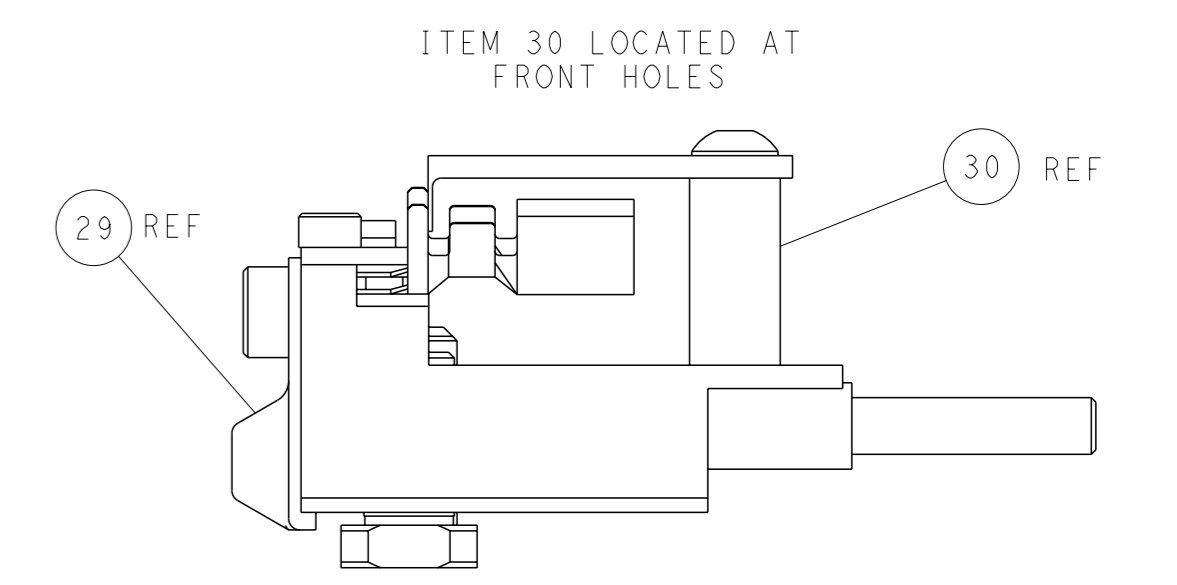
SHEAR DEPRESSOR DETAIL



TERMINAL SUPPORT LOCATION



RAM SET-UP



FEED TRACK POSITION GUIDE BY INSULATION BARREL

PACIFIC VERSION
 Shown on sheets 3 of 4 & 4 of 4
 (Atlantic version shown on sheets 1 of 4 & 2 of 4)

<small>THIS DRAWING IS A CONTROLLED DOCUMENT FROM TYCO ELECTRONICS CORPORATION. IT IS SUBJECT TO CHANGE AND THE CONTROLLING ENGINEERING ORGANIZATION SHOULD BE CONTACTED FOR THE LATEST REVISION.</small>		DWN: K. HUANG CHK: - APVD: S. YI PRODUCT SPEC: - APPLICATION SPEC: - WEIGHT: - MATERIAL: -	16MAY2012 16MAY2012 NAME: Ocean Side Feed Applicator SIZE: A1 CAGE CODE: 00779 DRAWING NO: 2151662 SCALE: 1:2 SHEET: 4 of 4 REV: F	REVISIONS DESCRIPTION: SEE SHEET 1 DATE: - OWN: - APVD: -
---	--	--	--	---