

# LM3702/LM3703 Microprocessor Supervisory Circuits with Low Line Output and Manual Reset

## General Description

The LM3702/LM3703 series of microprocessor supervisory circuits provide the maximum flexibility for monitoring power supplies and battery controlled functions in systems without backup batteries. The LM3702/LM3703 series are available in a 9-bump micro SMD package.

Built-in features include the following:

**Reset:** Reset is asserted during power-up, power-down, and brownout conditions.  $\overline{\text{RESET}}$  is guaranteed down to  $V_{CC}$  of 1.0V.

**Manual Reset Input:** An input that asserts reset when pulled low.

**Low Line Output:** This early power failure warning indicator goes low when the supply voltage drops to a value which is 2% higher than the reset threshold voltage.

## Features

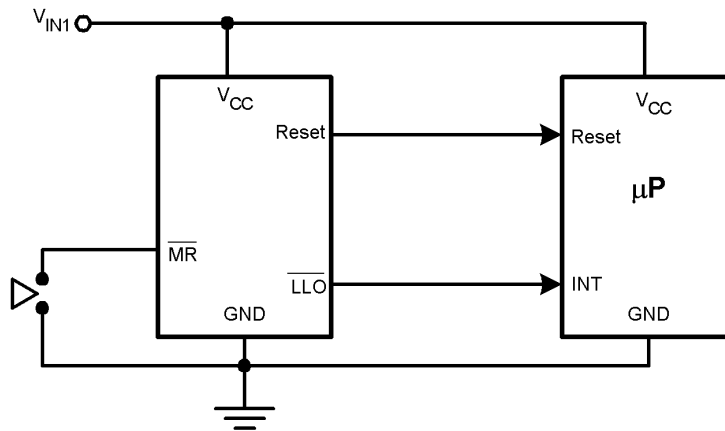
- Standard Reset Threshold voltage: 3.08V
- Custom Reset Threshold voltages: For other voltages between 2.2V and 5.0V in 10mV increments, contact National Semiconductor Corp.

- No external components required
- Manual-Reset input
- $\overline{\text{RESET}}$  (LM3702) or RESET (LM3703) outputs
- Precision supply voltage monitor
- Factory programmable Reset Timeout Delay
- Available in micro SMD package for minimum footprint
- $\pm 0.5\%$  Reset threshold accuracy at room temperature
- $\pm 2\%$  Reset threshold accuracy over temperature extremes
- Reset assertion down to 1V  $V_{CC}$  ( $\overline{\text{RESET}}$  option only)
- 28  $\mu\text{A}$   $V_{CC}$  supply current

## Applications

- Embedded Controllers and Processors
- Intelligent Instruments
- Automotive Systems
- Critical  $\mu\text{P}$  Power Monitoring

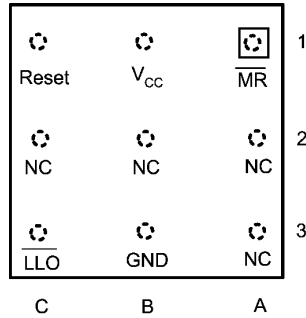
## Typical Application



20011503

## Connection Diagram

Top View  
(looking from the coating side)  
micro SMD 9 Bump Package  
BPA09

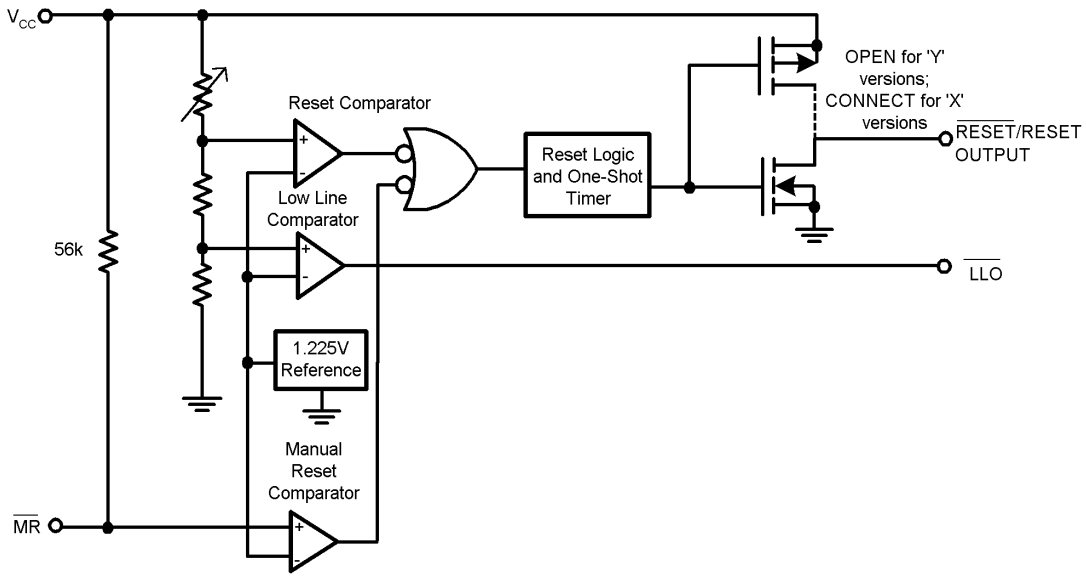


20011501

## Pin Descriptions

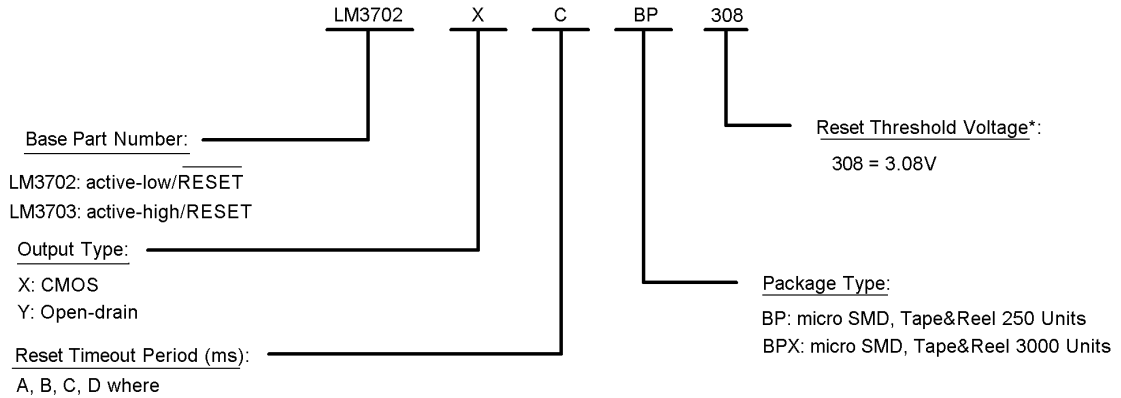
Bump No.	Name	Function
A1	$\overline{MR}$	Manual-Reset input. When $\overline{MR}$ is less than $V_{MRT}$ (Manual Reset Threshold) $\overline{RESET}/RESET$ is engaged.
B1	$V_{CC}$	Power Supply input.
C1	$\overline{RESET}$	Reset Logic Output. Pulses low for $t_{RP}$ (Reset Timeout Period) when triggered, and stays low whenever $V_{CC}$ is below the reset threshold or when $\overline{MR}$ is below $V_{MRT}$ . It remains low for $t_{RP}$ after either $V_{CC}$ rises above the reset threshold, or after $\overline{MR}$ input rises above $V_{MRT}$ (LM3702 only).
	RESET	Reset Logic Output. RESET is the inverse of $\overline{RESET}$ (LM3703 only).
C3	$\overline{LLO}$	Low-Line Logic Output. Early Power-Fail warning output. Low when $V_{CC}$ falls below $V_{LLOT}$ (Low-Line Output Threshold). This output can be used to generate an NMI (Non-Maskable Interrupt) to provide an early warning of imminent power-failure.
B3	GND	Ground reference for all signals.
A2, A3, C2	NC	No Connect.
B2	NC	No Connect. Test input used at factory only. Leave floating.

### Block Diagram



20011505

## Ordering Information



\* = available upon request. Contact National Semiconductor

20011504

\*For other voltages between 2.2V and 5.0V, please contact National Semiconductor sales office.

## LM3702/LM3703

Part Number	Output	Reset Timeout Period	Package Marking
LM3702XCBP-308	totem-pole	200ms	%%12
LM3702XCBPX-308	totem-pole	200ms	%%12
LM3703XCBP-308	totem-pole	200ms	%%13
LM3703XCBPX-308	totem-pole	200ms	%%13
LM3703XDBP-308	totem-pole	1600ms	%%124
LM3703XDBPX-308	totem-pole	1600ms	%%124
LM3702YABP-308	open-drain	1.4ms	%%131
LM3702ABPX-308	open-drain	1.4ms	%%131
LM3702YDBP-220	open-drain	1600ms	%%125
LM3702YDBPX-220	open-drain	1600ms	%%125

%% is the datecode and will vary with time.

## Table Of Functions

Part Number	Active Low Reset	Active High Reset	Output (X = totem-pole) (Y = open-drain)	Reset Timeout Period	Manual Reset	Low Line Output
LM3702	x		X, Y*	Customized	x	x
LM3703		x	X	Customized	x	x

\* = available upon request. Contact National

**Absolute Maximum Ratings** (Note 1)

If Military/Aerospace specified devices are required, please contact the National Semiconductor Sales Office/Distributors for availability and specifications.

Supply Voltage ( $V_{CC}$ )	-0.3V to 6.0V
All Other Inputs	-0.3V to $V_{CC} + 0.3V$
ESD Ratings (Note 2)	
Human Body Model	1.5kV
Machine Model	150V

Power Dissipation

(Note 3)

**Operating Ratings** (Note 1)

Temperature Range

 $-40^{\circ}\text{C} \leq T_J \leq 85^{\circ}\text{C}$ **LM3702/LM3703 Series Electrical Characteristics**

Limits in the standard typeface are for  $T_J = 25^{\circ}\text{C}$  and limits in **boldface type** apply over full operating range. Unless otherwise specified:  $V_{CC} = +2.2V$  to  $5.5V$ .

Symbol	Parameter	Conditions	Min	Typ	Max	Units
<b>POWER SUPPLY</b>						
$V_{CC}$	Operating Voltage Range: $V_{CC}$	LM3702	<b>1.0</b>		<b>5.5</b>	V
		LM3703	<b>1.2</b>		<b>5.5</b>	
$I_{CC}$	$V_{CC}$ Supply Current	All inputs = $V_{CC}$ ; all outputs floating		28	<b>50</b>	$\mu\text{A}$
<b>RESET THRESHOLD</b>						
$V_{RST}$	Reset Threshold	$V_{CC}$ falling	-0.5 <b>-2</b>	$V_{RST}$	+0.5 <b>+2</b>	%
		$V_{CC}$ falling: $T_A = 0^{\circ}\text{C}$ to $70^{\circ}\text{C}$	<b>-1.5</b>		<b>+1.5</b>	
$V_{RSTH}$	Reset Threshold Hysteresis			$0.0032 \cdot V_{RST}$		mV
$t_{RP}$	Reset Timeout Period	Reset Timeout Period = A	<b>1</b>	1.4	<b>2</b>	ms
		Reset Timeout Period = B	<b>20</b>	28	<b>40</b>	
		Reset Timeout Period = C	<b>140</b>	200	<b>280</b>	
		Reset Timeout Period = D	<b>1120</b>	1600	<b>2240</b>	
$t_{RD}$	$V_{CC}$ to Reset Delay	$V_{CC}$ falling at $1\text{mV}/\mu\text{s}$		20		$\mu\text{s}$
<b>RESET (LM3703)</b>						
$V_{OL}$	RESET	$V_{CC} > 2.25V$ , $I_{SINK} = 900\mu\text{A}$			<b>0.3</b>	V
		$V_{CC} > 2.7V$ , $I_{SINK} = 1.2\text{mA}$			<b>0.3</b>	
		$V_{CC} > 4.5V$ , $I_{SINK} = 3.2\text{mA}$			<b>0.4</b>	
$V_{OH}$	RESET	$V_{CC} > 1.2V$ , $I_{SOURCE} = 50\mu\text{A}$	<b>0.8 <math>V_{CC}</math></b>			V
		$V_{CC} > 1.8V$ , $I_{SOURCE} = 150\mu\text{A}$	<b>0.8 <math>V_{CC}</math></b>			
		$V_{CC} > 2.25V$ , $I_{SOURCE} = 300\mu\text{A}$	<b>0.8 <math>V_{CC}</math></b>			
		$V_{CC} > 2.7V$ , $I_{SOURCE} = 500\mu\text{A}$	<b>0.8 <math>V_{CC}</math></b>			
		$V_{CC} > 4.5V$ , $I_{SOURCE} = 800\mu\text{A}$	<b><math>V_{CC} - 1.5V</math></b>			
$I_{LKG}$	Output Leakage Current	$V_{RESET} = 5.5V$			<b>1.0</b>	$\mu\text{A}$
<b>RESET (LM3702)</b>						
$V_{OL}$	RESET	$V_{CC} > 1.0V$ , $I_{SINK} = 50\mu\text{A}$			<b>0.3</b>	V
		$V_{CC} > 1.2V$ , $I_{SINK} = 100\mu\text{A}$			<b>0.3</b>	
		$V_{CC} > 2.25V$ , $I_{SINK} = 900\mu\text{A}$			<b>0.3</b>	
		$V_{CC} > 2.7V$ , $I_{SINK} = 1.2\text{mA}$			<b>0.3</b>	
		$V_{CC} > 4.5V$ , $I_{SINK} = 3.2\text{mA}$			<b>0.4</b>	
$V_{OH}$	RESET	$V_{CC} > 2.25V$ , $I_{SOURCE} = 300\mu\text{A}$	<b>0.8 <math>V_{CC}</math></b>			V
		$V_{CC} > 2.7V$ , $I_{SOURCE} = 500\mu\text{A}$	<b>0.8 <math>V_{CC}</math></b>			
		$V_{CC} > 4.5V$ , $I_{SOURCE} = 800\mu\text{A}$	<b><math>V_{CC} - 1.5V</math></b>			

## LM3702/LM3703 Series Electrical Characteristics (Continued)

Limits in the standard typeface are for  $T_J = 25^\circ\text{C}$  and limits in **boldface type** apply over full operating range. Unless otherwise specified:  $V_{CC} = +2.2\text{V}$  to  $5.5\text{V}$ .

Symbol	Parameter	Conditions	Min	Typ	Max	Units
<b>MR</b>						
$V_{MRT}$	MR Input Threshold	MR, Low			<b>0.8</b>	V
		MR, High	<b>2.0</b>			
$V_{MRTH}$	MR Threshold Hysteresis	MR falling: $V_{CC} = V_{RST\ MAX}$ to $5.5\text{V}$		$0.0032 \cdot V_{RST}$		mV
$R_{MR}$	MR Pull-up Resistance		<b>35</b>	56	<b>75</b>	k $\Omega$
$t_{MD}$	MR to Reset Delay			12		$\mu\text{s}$
$t_{MR}$	MR Pulse Width		<b>25</b>			$\mu\text{s}$
<b>LLO</b>						
$V_{OL}$	LLO Output Voltage	$V_{CC} > 2.25\text{V}$ , $I_{SINK} = 900\mu\text{A}$			<b>0.3</b>	V
		$V_{CC} > 2.7\text{V}$ , $I_{SINK} = 1.2\text{mA}$			<b>0.3</b>	
		$V_{CC} > 4.5\text{V}$ , $I_{SINK} = 3.2\text{mA}$			<b>0.4</b>	
$V_{OH}$		$V_{CC} > 2.25\text{V}$ , $I_{SOURCE} = 300\mu\text{A}$	<b>0.8</b> $V_{CC}$			V
		$V_{CC} > 2.7\text{V}$ , $I_{SOURCE} = 500\mu\text{A}$	<b>0.8</b> $V_{CC}$			
		$V_{CC} > 4.5\text{V}$ , $I_{SOURCE} = 800\mu\text{A}$	<b><math>V_{CC} - 1.5\text{V}</math></b>			
<b>LLO OUTPUT</b>						
$V_{LLOT}$	LLO Output Threshold ( $V_{LLO} - V_{RST}$ , $V_{CC}$ falling)		<b><math>1.01 \cdot V_{RST}</math></b>	$1.02 \cdot V_{RST}$	<b><math>1.03 \cdot V_{RST}</math></b>	V
$V_{LLOTH}$	Low-Line Comparator Hysteresis			$0.0032 \cdot V_{RST}$		mV
$t_{CD}$	Low-Line Comparator Delay	$V_{CC}$ falling at $1\text{mV}/\mu\text{s}$		20		$\mu\text{s}$

**Note 1: Absolute Maximum Ratings** indicate limits beyond which damage to the device may occur. **Operating Ratings** indicate conditions for which the device is intended to be functional, but do not guarantee specific performance limits. For guaranteed specifications and test conditions, see the Electrical Characteristics. The guaranteed specifications apply only for the test conditions listed. Some performance characteristics may degrade when the device is not operated under the listed conditions.

**Note 2:** The Human Body model is a 100 pF capacitor discharged through a 1.5 k $\Omega$  resistor into each pin. The machine model is a 200pF capacitor discharged directly into each pin.

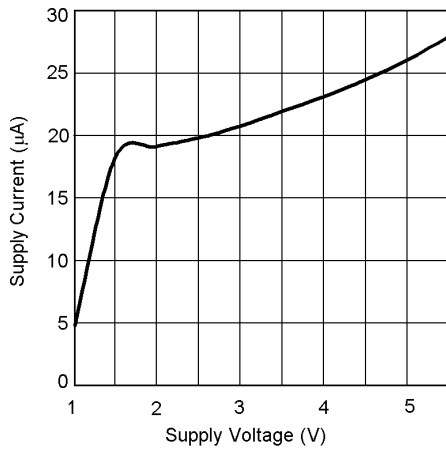
**Note 3:** The maximum allowable power dissipation is a function of the maximum junction temperature,  $T_J(\text{MAX})$ , the junction-to-ambient thermal resistance,  $\theta_{J-A}$ , and the ambient temperature,  $T_A$ . The maximum allowable power dissipation at any ambient temperature is calculated using:

$$P(\text{MAX}) = \frac{T_J(\text{MAX}) - T_A}{\theta_{J-A}}$$

Where the value of  $\theta_{J-A}$  for the micro SMD package is  $220^\circ\text{C}/\text{W}$ .

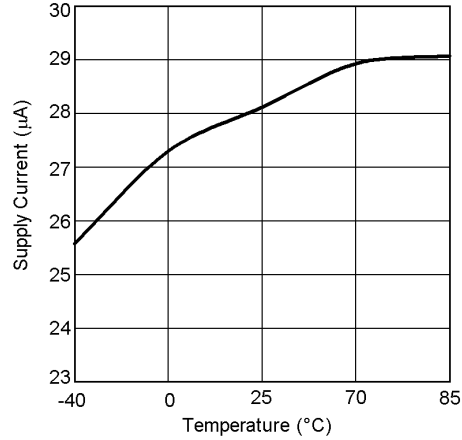
# Typical Performance Characteristics

Supply Current vs Supply Voltage



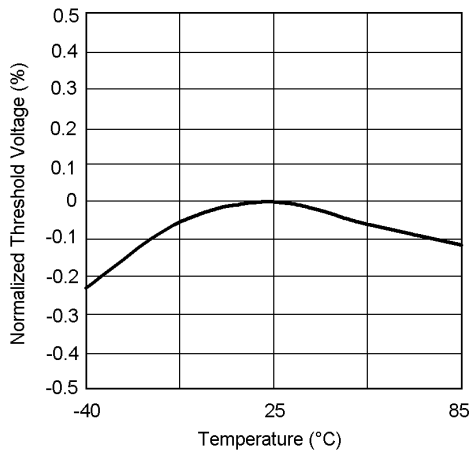
20011515

3.3V Supply Current vs Temperature



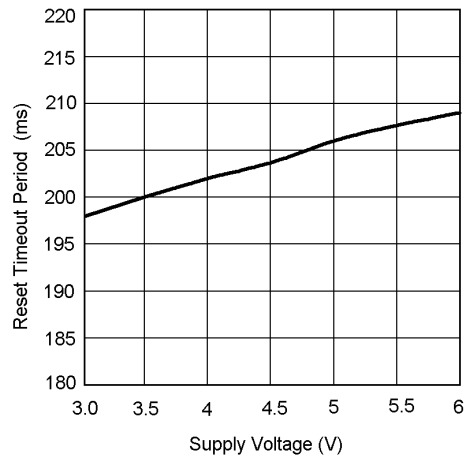
20011511

Normalized Reset Threshold Voltage vs Temperature



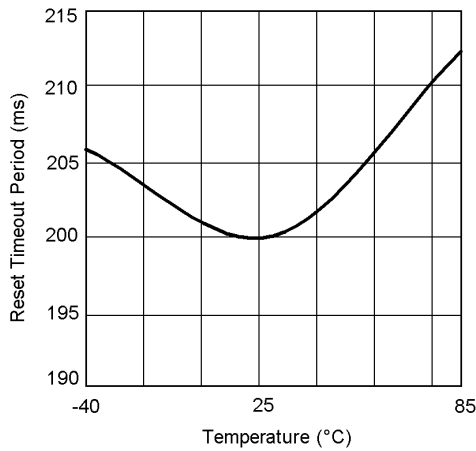
20011512

Reset Timeout Period vs V<sub>CC</sub>



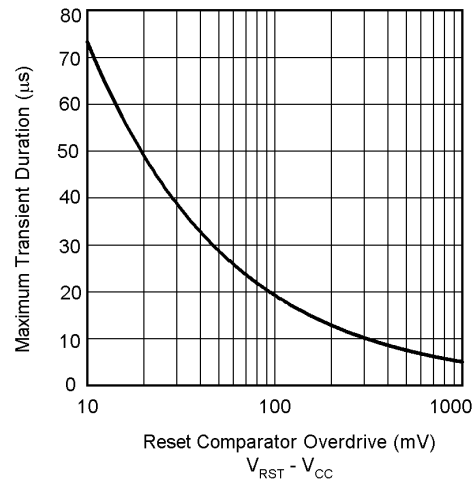
20011532

Reset Timeout Period vs Temperature



20011510

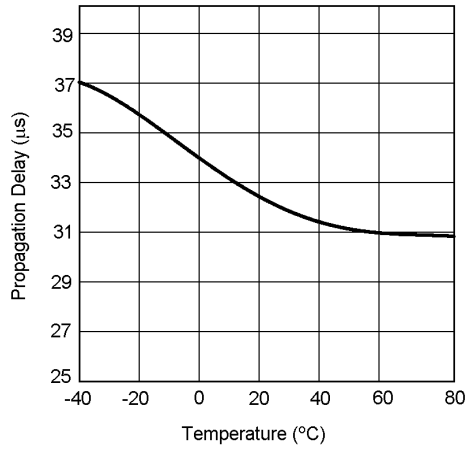
Max. Transient Duration vs Reset Comparator Overdrive (V<sub>CC</sub> = 3.3V)



20011516

# Typical Performance Characteristics (Continued)

## Low-Line Comparator Propagation Delay vs Temperature



20011514



## Circuit Information

### RESET OUTPUT

The Reset input of a  $\mu\text{P}$  initializes the device into a known state. The LM3702/LM3703 microprocessor supervisory circuits assert a forced reset output to prevent code execution errors during power-up, power-down, and brownout conditions.

$\overline{\text{RESET}}$  is guaranteed valid for  $V_{\text{CC}} > 1\text{V}$ . Once  $V_{\text{CC}}$  exceeds the reset threshold, an internal timer maintains the output for the reset timeout period. After this interval, reset goes high. The LM3702 offers an active-low  $\overline{\text{RESET}}$ ; The LM3703 offers an active-high RESET.

Any time  $V_{\text{CC}}$  drops below the reset threshold (such as during a brownout), the reset activates. When  $V_{\text{CC}}$  again rises above the reset threshold, the internal timer starts. Reset holds until  $V_{\text{CC}}$  exceeds the reset threshold for longer than the reset timeout period. After this time, reset releases.

The Manual Reset input ( $\overline{\text{MR}}$ ) will initiate a forced reset also. See the *Manual Reset Input* section.

### RESET THRESHOLD

The LM3702/LM3703 family is available with a reset voltage of 3.08V. Other reset thresholds in the 2.20V to 5.0V range, in steps of 10 mV, are available; contact National Semiconductor for details.

### MANUAL RESET INPUT ( $\overline{\text{MR}}$ )

Many  $\mu\text{P}$ -based products require a manual reset capability, allowing the operator to initiate a reset. The  $\overline{\text{MR}}$  input is fully debounced and provides an internal 56 k $\Omega$  pull-up. When the  $\overline{\text{MR}}$  input is pulled below  $V_{\text{MRT}}$  (1.225V) for more than 25  $\mu\text{s}$ , reset is asserted after a typical delay of 12  $\mu\text{s}$ . Reset remains active as long as  $\overline{\text{MR}}$  is held low, and releases after the reset

timeout period expires after  $\overline{\text{MR}}$  rises above  $V_{\text{MRT}}$ . Use  $\overline{\text{MR}}$  with digital logic to assert or to daisy chain supervisory circuits. It may be used as another low-line comparator by adding a buffer.

### LOW-LINE OUTPUT ( $\overline{\text{LLO}}$ )

The low-line output comparator is typically used to provide a non-maskable interrupt to a  $\mu\text{P}$  when  $V_{\text{CC}}$  begins falling.  $\overline{\text{LLO}}$  monitors  $V_{\text{CC}}$  and goes low when  $V_{\text{CC}}$  falls below  $V_{\text{LLOT}}$  (typically  $1.02 \cdot V_{\text{RST}}$ ) with hysteresis of  $0.0032 \cdot V_{\text{RST}}$ .

### SPECIAL PRECAUTIONS FOR THE MICRO SMD PACKAGE

As with most integrated circuits, the LM3702 and LM3703 are sensitive to exposure from visible and infrared (IR) light radiation. Unlike a plastic encapsulated IC, the micro SMD package has very limited shielding from light, and some sensitivity to light reflected from the surface of the PC board or long wavelength IR entering the die from the side may be experienced. This light could have an unpredictable affect on the electrical performance of the IC. Care should be taken to shield the device from direct exposure to bright visible or IR light during operation.

### MICRO SMD MOUNTING

The micro SMD package requires specific mounting techniques which are detailed in National Semiconductor Application Note AN-1112. Referring to the section **Surface Mount Technology (SMT) Assembly Considerations**, it should be noted that the pad style which must be used with the 9-pin package is the NSMD (non-solder mask defined) type.

For best results during assembly, alignment ordinals on the PC board may be used to facilitate placement of the micro SMD device.

# Timing Diagrams

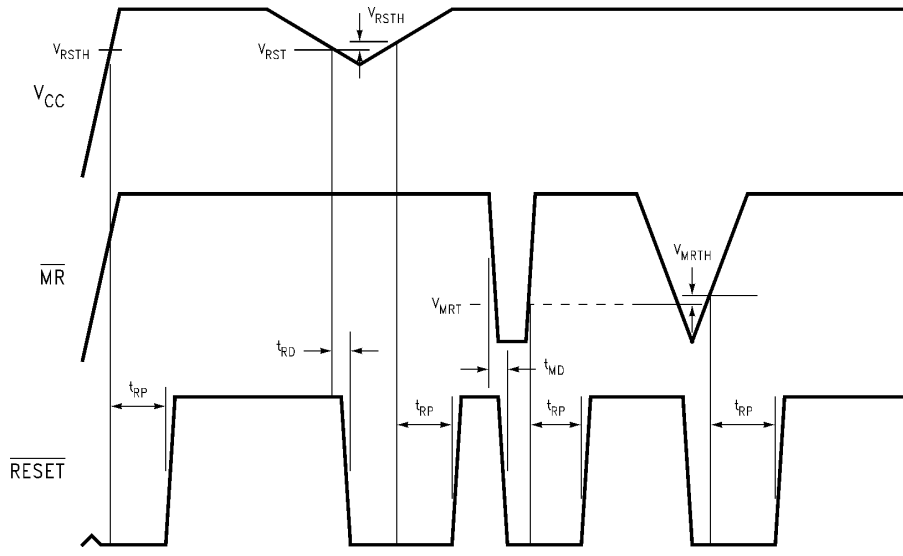


FIGURE 1. LM3702 Reset Time with  $\overline{MR}$

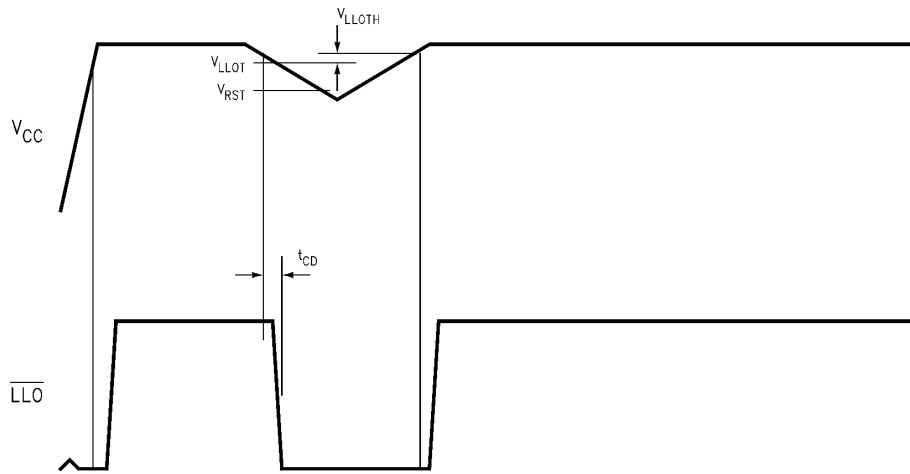
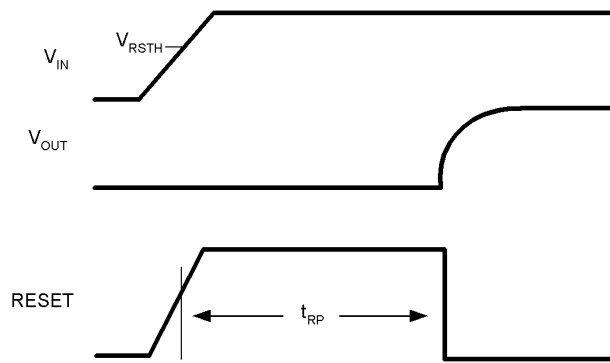
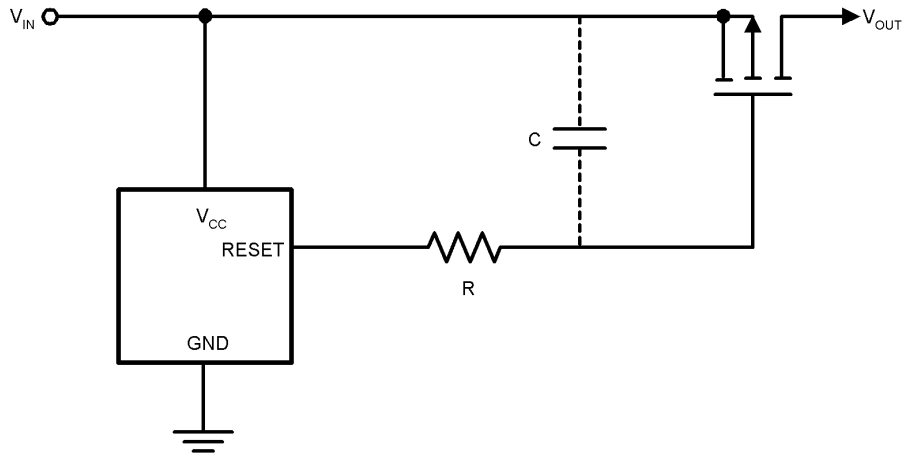


FIGURE 2.  $\overline{LLO}$  Output

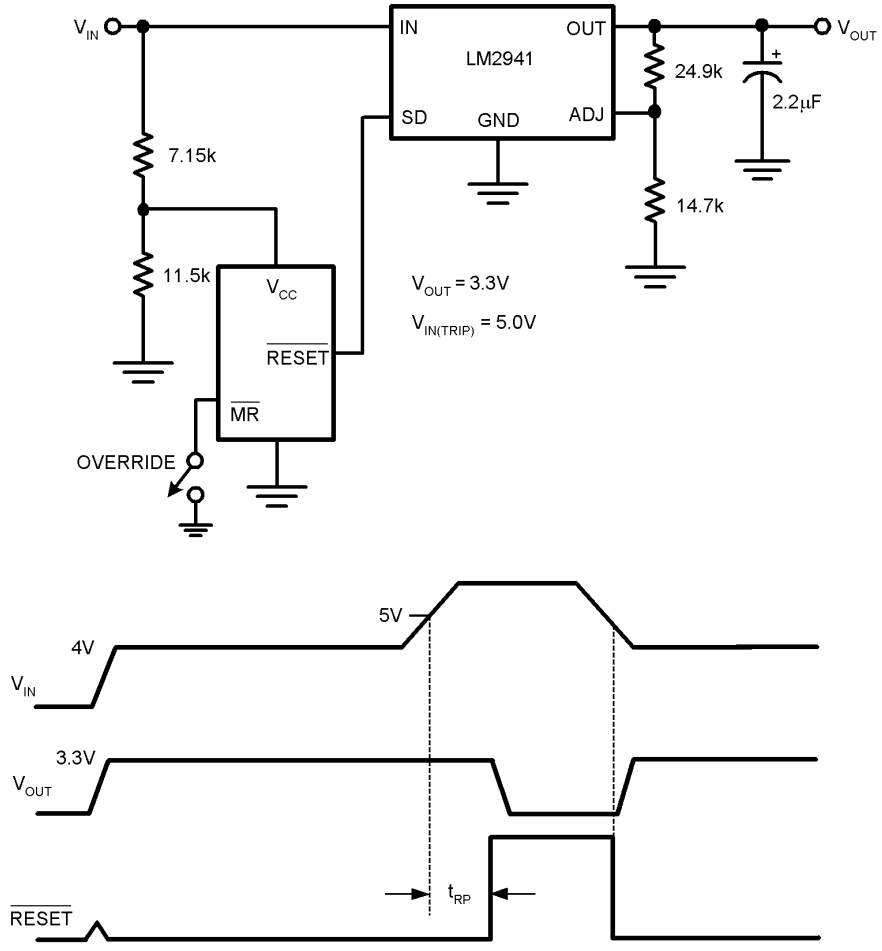
### Typical Application Circuits



20011524

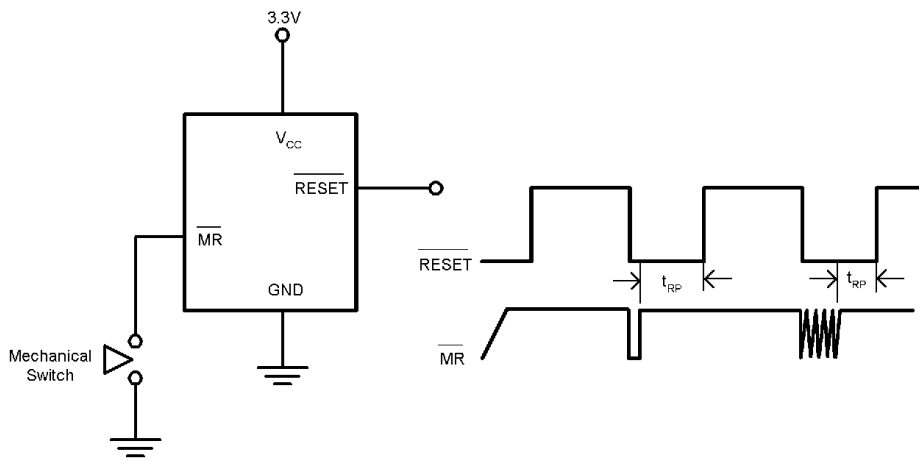
FIGURE 3. LM3703 Power-On Delay

Typical Application Circuits (Continued)



20011522

FIGURE 4. Regulator/Switch with Long-Term Overvoltage Lockout Prevents Overdissipation in Linear Regulator

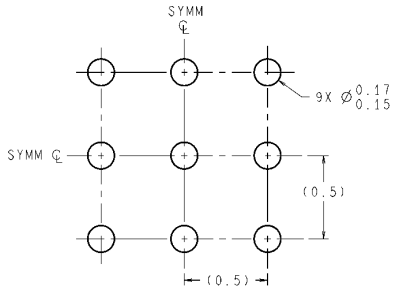


20011531

FIGURE 5. Switch Debouncer

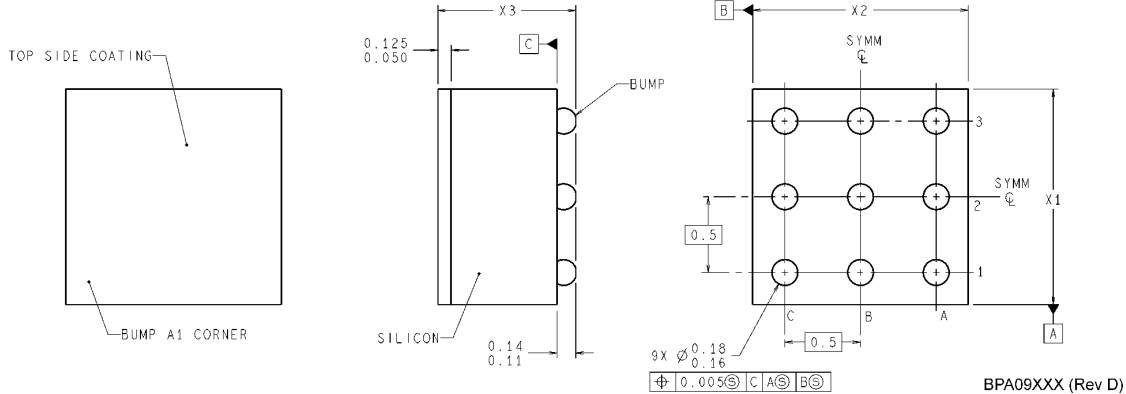
## Physical Dimensions inches (millimeters)

unless otherwise noted



DIMENSIONS ARE IN MILLIMETERS

### LAND PATTERN RECOMMENDATION



BPA09XXX (Rev D)

NOTES: UNLESS OTHERWISE SPECIFIED

1. EPOXY COATING
2. 63Sn/37Pb EUTECTIC BUMP
3. RECOMMEND NON-SOLDER MASK DEFINED LANDING PAD.
4. PIN 1 IS ESTABLISHED BY LOWER LEFT CORNER WITH RESPECT TO TEXT ORIENTATION. REMAINING PINS ARE NUMBERED COUNTER CLOCKWISE.
5. XXX IN DRAWING NUMBER REPRESENTS PACKAGE SIZE VARIATION WHERE X1 IS PACKAGE WIDTH, X2 IS PACKAGE LENGTH AND X3 IS PACKAGE HEIGHT.
6. NO JEDEC REGISTRATION AS OF AUG.1999.

**9 bump micro SMD Package**  
**NS Package Number BPA09FFB**  
**The dimensions of X1, X2 and X3 are given below**  
**X1 = 1.412mm**  
**X2 = 1.412mm**  
**X3 = 0.850mm**

### LIFE SUPPORT POLICY

NATIONAL'S PRODUCTS ARE NOT AUTHORIZED FOR USE AS CRITICAL COMPONENTS IN LIFE SUPPORT DEVICES OR SYSTEMS WITHOUT THE EXPRESS WRITTEN APPROVAL OF THE PRESIDENT AND GENERAL COUNSEL OF NATIONAL SEMICONDUCTOR CORPORATION. As used herein:

1. Life support devices or systems are devices or systems which, (a) are intended for surgical implant into the body, or (b) support or sustain life, and whose failure to perform when properly used in accordance with instructions for use provided in the labeling, can be reasonably expected to result in a significant injury to the user.
2. A critical component is any component of a life support device or system whose failure to perform can be reasonably expected to cause the failure of the life support device or system, or to affect its safety or effectiveness.



**National Semiconductor**  
**Americas Customer**  
**Support Center**  
 Email: new.feedback@nsc.com  
 Tel: 1-800-272-9959

www.national.com

**National Semiconductor**  
**Europe Customer Support Center**  
 Fax: +49 (0) 180-530 85 86  
 Email: europe.support@nsc.com  
 Deutsch Tel: +49 (0) 69 9508 6208  
 English Tel: +44 (0) 870 24 0 2171  
 Français Tel: +33 (0) 1 41 91 8790

**National Semiconductor**  
**Asia Pacific Customer**  
**Support Center**  
 Email: ap.support@nsc.com

**National Semiconductor**  
**Japan Customer Support Center**  
 Fax: 81-3-5639-7507  
 Email: jpn.feedback@nsc.com  
 Tel: 81-3-5639-7560