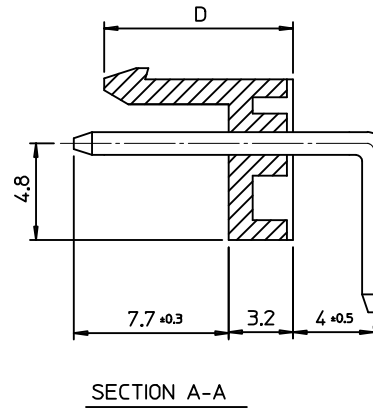
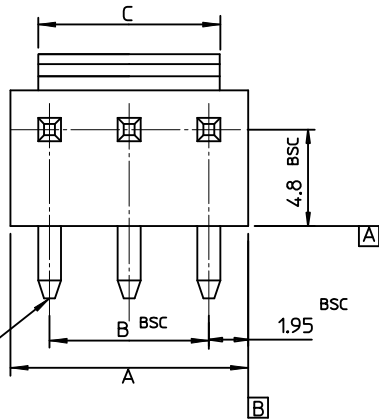
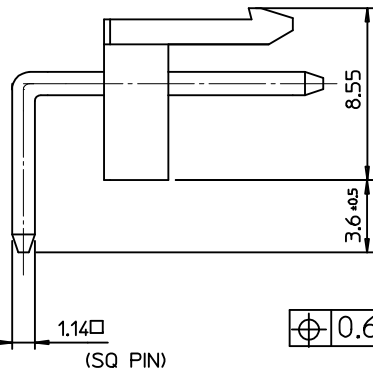


NOTES

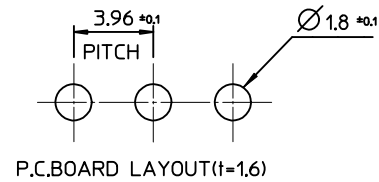
- MATERIAL : HEADER - POLYAMIDE(PA66), PC/PET
PIN : BRASS(CDA 2700)
- FINISHES : PIN
THICKNESS - TIN 3.0 MICROMETER MIN.
OVER Cu 1.5 MICROMETER MIN.
- PRODUCT SPECIFICATION : PS-35978-001 (G1)

LEGEND

- 35978-****
- COLOR : 0 - WHITE
 - 1 - BLACK
 - 2 - RED
 - 3 - YELLOW
 - 4 - BLUE
- MATERIAL : 2 : POLYAMIDE66(PA66)
4 : PC/PET
- CURCUIT NO. (02.03,04...)



9.4	56.50	55.44	59.40	3597815**	35978-15**	15
	52.54	51.48	55.44	3597814**	-14**	14
	48.58	47.52	51.48	3597813**	-13**	13
	44.62	43.56	47.52	3597812**	-12**	12
	40.66	39.60	43.56	3597811**	-11**	11
	36.70	35.64	39.60	3597810**	-10**	10
	32.74	31.68	35.64	3597809**	-09**	9
	28.78	27.72	31.68	3597808**	-08**	8
	24.84	23.76	27.72	3597807**	-07**	7
	20.86	19.80	23.76	3597806**	-06**	6
9.7	16.90	15.84	19.80	3597805**	-05**	5
	12.94	11.88	15.84	3597804**	-04**	4
	8.98	7.92	11.88	3597803**	-03**	3
D	5.02	3.96	7.92	3597802**	-02**	2
	C	B	A	MAT'L NO	ENG NO.	CURCUITS



REVISED
EC NO: KOR2012-0133
DRWN:CBCHIN
CHKD:SHCHU
APPR:YSKIM02

2012/06/19
2012/06/19
2012/07/12
DESCRIPTION
REV

QUALITY SYMBOLS	▽=0
	▽=0
	ANGULAR ± 2 °
	DRAFT WHERE APPLICABLE MUST REMAIN WITHIN DIMENSIONS

GENERAL TOLERANCES (UNLESS SPECIFIED)	
mm	INCH
4 PLACES ± --- ± ---	
3 PLACES ± --- ± ---	
2 PLACES ± 0.20 ± ---	
1 PLACE ± 0.20 ± ---	
0 PLACE ± --- ±	

DIMENSION STYLE	SCALE	DESIGN UNITS	THIRD ANGLE PROJECTION
MM ONLY	4:1	METRIC	
DRAWN BY	DATE	TITLE	
Y.R.WI	1999/05/07	3.96 W/B HEADER ASSY(RA)	
CHECKED BY	DATE	molex	
J.K.OH	1999/05/07		
APPROVED BY	DATE	DOCUMENT NO.	SHEET NO.
C.W.LEE	1999/05/07	SEE TABLE	SD-35978-002
MATERIAL NO.		1 OF 1	
THIS DRAWING CONTAINS INFORMATION THAT IS PROPRIETARY TO MOLEX INCORPORATED AND SHOULD NOT BE USED WITHOUT WRITTEN PERMISSION			