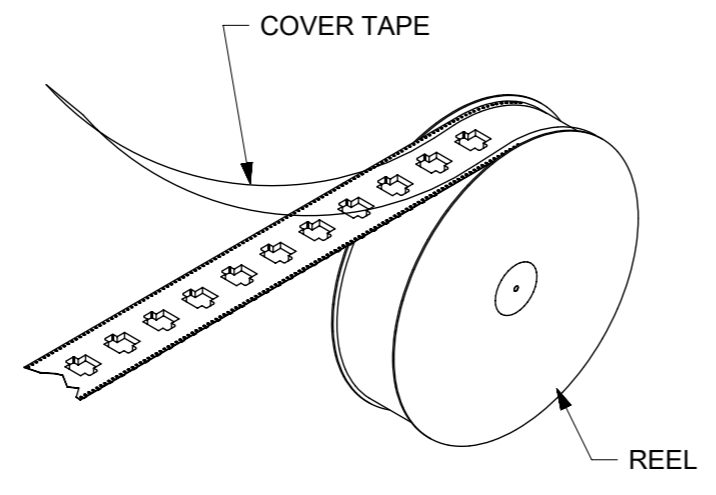
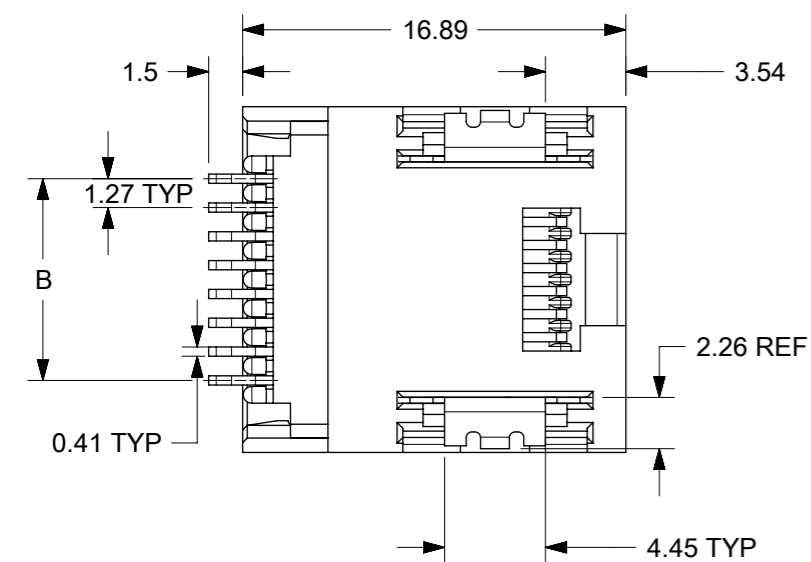


HOUSING SIZE	CIRCUIT SIZE	DIM. A	DIM. B
6	6	13.21	6.35
6	4	13.21	3.81
6	2	13.21	1.27
8	8	15.24	8.89
8	6	15.24	6.35



VACUUM FORMED CARRIER TAPE WITH SPROCKET HOLES

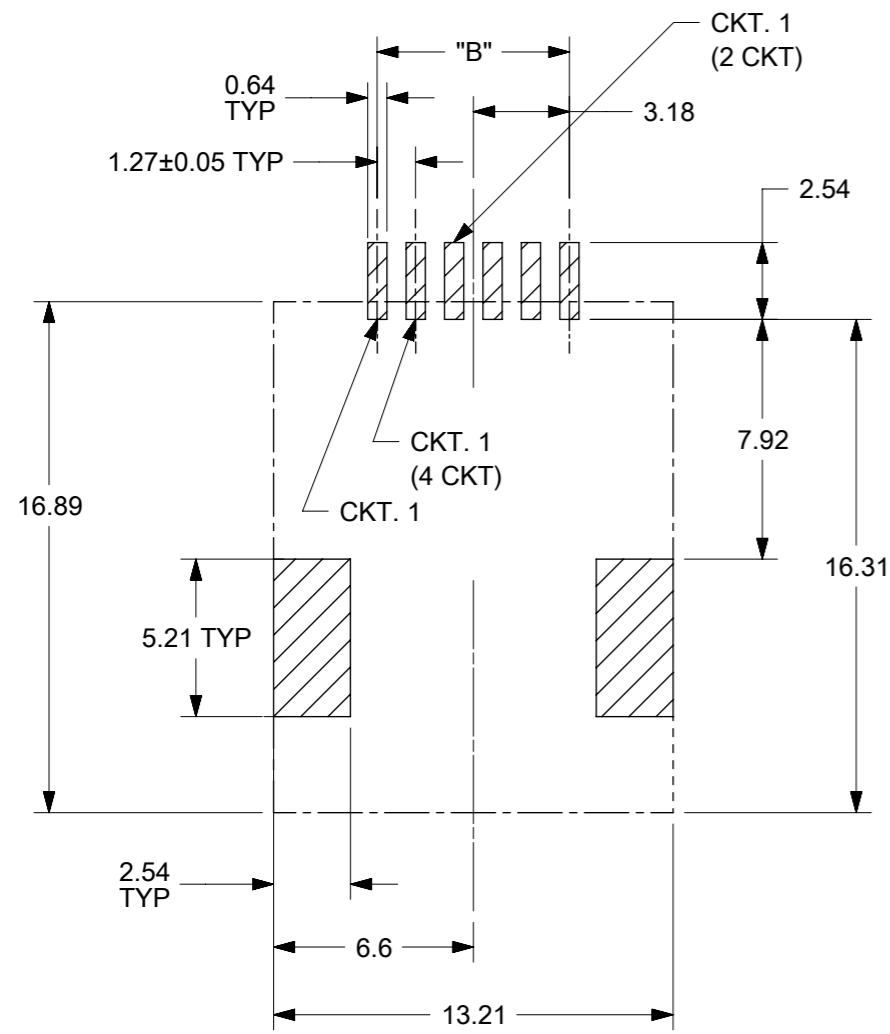
TAPE AND REEL PACKAGING

- NOTES :
- MATERIALS:
HOUSING: NYLON, GLASS-FILLED, UL94V-0; COLOR - SEE CHART
TERMINALS: PHOSPHOR BRONZE, 0.30 mm THICK
FITTING NAILS: BRASS ALLOY, 0.25 mm THICK
 - FINISH:
TERMINALS:
(A) SELECT GOLD IN CONTACT AREA: 0.00127 mm MIN.,
*SELECT MATTE TIN IN PC TAIL AREA: 0.00254 mm MIN.,
WITH OVERALL NICKEL UNDERPLATE: 0.00127 mm MIN.
(B) SELECT GOLD IN CONTACT AREA: 0.00076 mm MIN.,
*SELECT MATTE TIN IN PC TAIL AREA: 0.00254 mm MIN.,
WITH OVERALL NICKEL UNDERPLATE: 0.00127 mm MIN.
(C) SELECT GOLD IN CONTACT AREA: 0.00038 mm MIN.,
*SELECT MATTE TIN IN PC TAIL AREA: 0.00254 mm MIN.,
WITH OVERALL NICKEL UNDERPLATE: 0.00127 mm MIN.
FITTING NAILS:
*2.54 MICROMETER MATTE TIN OVER 1.27 MICROMETER NICKEL UNDERPLATE
*THE PRIMARY SHIPPING CARTON WILL BE LABELED "ELV AND RoHS COMPLIANT" CARTONS WITHOUT THIS LABEL MAY CONTAIN PRODUCT WITH TIN-LEAD IN THE PC TAIL AND/OR FITTING NAILS.
 - PRODUCT SPECIFICATION: PS-43743-0001
 - COPLANARITY SPECIFICATION:
WITH THE MODULAR JACK SITTING ON A LEVEL SURFACE, THE MAXIMUM GAP BETWEEN THE LEVEL SURFACE AND ALL TERMINAL TAILS AND BOTH FITTING NAILS IS 0.15 mm.
 - FOR ASSEMBLIES HAVING VOIDED CIRCUITS, THE TAIL PORTION IS CUT AND REMOVED. THE MATING PORTION OF THE TERMINAL REMAINS INTACT.
 - CONVECTION SOLDERING TECHNOLOGY SHOULD BE USED WHEN GANGING MODULAR JACKS WITH INBOARD NAILS SIDE-BY-SIDE.
 - THIS PART CONFORMS TO CLASS B REQUIREMENTS OF COSMETIC SPECIFICATION PS-45499-002.

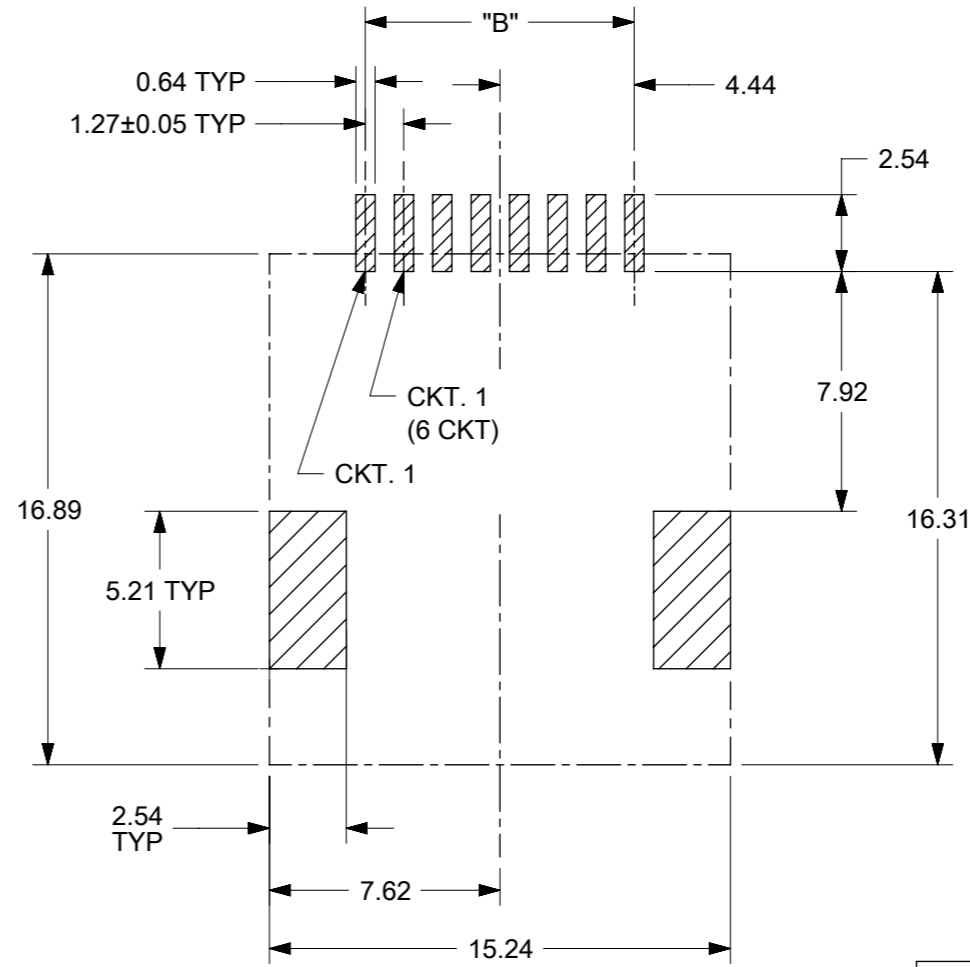
ASSEMBLY ITEM NO.	CONNECTOR SIZE	CIRCUIT SIZE	TERMINAL PLATING	TAPE & REEL PACKAGING No.	VOIDED CIRCUITS	HOUSING COLOR
44144-0003	8	8	A	PK-70873-7002	NA	BLACK
44144-0004	6	4	A	PK-70873-7001	NA	
44144-0005	6	6	A	PK-70873-7001	NA	

THIS DRAWING CONTAINS INFORMATION THAT IS PROPRIETARY TO MOLEX ELECTRONIC TECHNOLOGIES, LLC AND SHOULD NOT BE USED WITHOUT WRITTEN PERMISSION

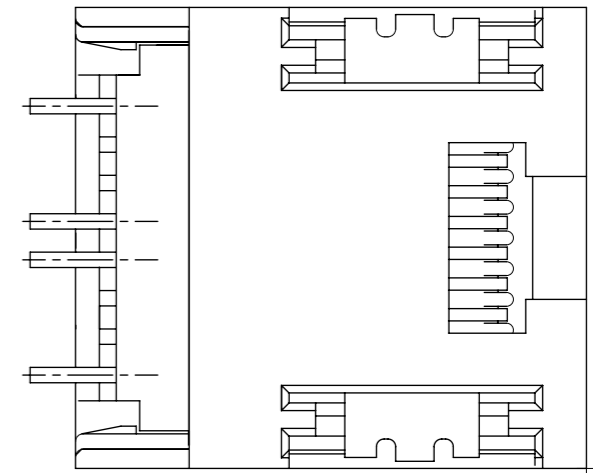
DIMENSION UNITS mm	SCALE 3:1	CURRENT REV DESC: REMOVED OBSOLETE PART NUMBER AS PER PCN#511684.	molex		
GENERAL TOLERANCES (UNLESS SPECIFIED)		EC NO: 748897			
ANGULAR TOL ± 0.5°	4 PLACES ±	DRWN: SANTHN	2023/05/09		
3 PLACES ±	2 PLACES ± 0.25	CHK'D: GGA	2023/05/31		
1 PLACE ± 0.38	0 PLACES ±	APPR: GGA	2023/05/31		
DRAFT WHERE APPLICABLE MUST REMAIN WITHIN DIMENSIONS		INITIAL REVISION: DRWN: AFENG02	2017/02/23		
THIRD ANGLE PROJECTION		APPR: KLANG	2017/02/27		
DRAWING A3-SIZE	SERIES 44144	DOCUMENT NUMBER SD-44144-001	DOC TYPE PSD	DOC PART 001	REVISION H9
MATERIAL NUMBER SEE CHART	CUSTOMER GENERAL MARKET	SHEET NUMBER 1 OF 2			



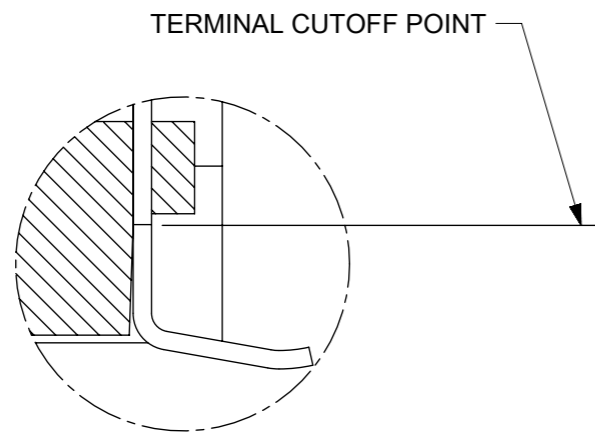
PCB LAYOUT FOR CONNECTOR SIZE 6
(COMPONENT SIDE OF BOARD)



PCB LAYOUT FOR CONNECTOR SIZE 8
(COMPONENT SIDE OF BOARD)

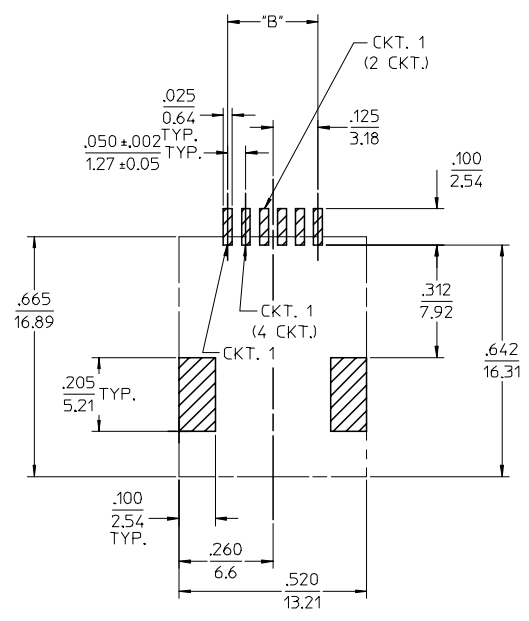


TYPICAL VIEW SHOWING VOIDED CIRCUIT
44144-0016 SHOWN

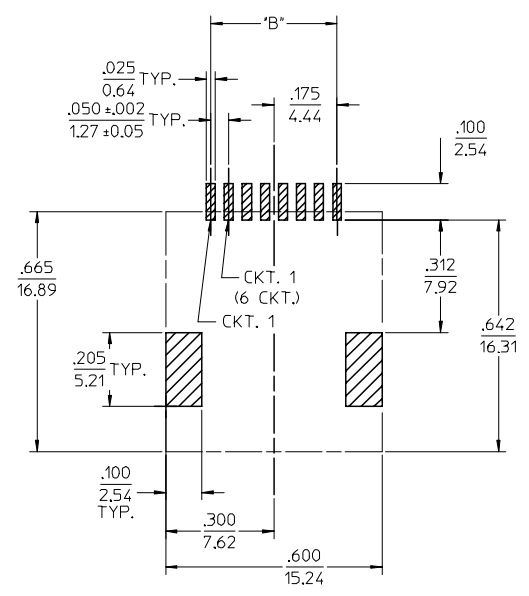


VIEW SHOWING TYPICAL TERMINAL
CUTOFF OF TAIL (SEE NOTE 5) FOR VOIDED CIRCUITS.

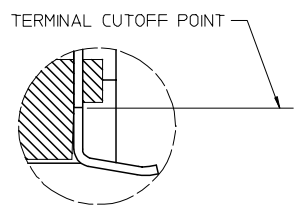
THIS DRAWING CONTAINS INFORMATION THAT IS PROPRIETARY TO MOLEX ELECTRONIC TECHNOLOGIES, LLC AND SHOULD NOT BE USED WITHOUT WRITTEN PERMISSION									
DIMENSION UNITS	SCALE	CURRENT REV DESC: REMOVED OBSOLETE PART NUMBER AS PER PCN#511684.							
mm	4:1								
GENERAL TOLERANCES (UNLESS SPECIFIED)									
ANGULAR TOL	± 0.5°	4, 6, 8 CIRCUIT SMT MODULAR JACK W/ FLUSH FITTING NAILS							
4 PLACES	±	PRODUCT CUSTOMER DRAWING							
3 PLACES	±	EC NO: 748897 DRWN: SANTHN 2023/05/09 CHK'D: GGA 2023/05/31 APPR: GGA 2023/05/31							
2 PLACES	± 0.25	INITIAL REVISION: DRWN: AFENG02 2017/02/23 APPR: KLANG 2017/02/27							
1 PLACE	± 0.38	DOCUMENT NUMBER: SD-44144-001 DOC TYPE: PSD DOC PART: 001 REVISION: H9							
0 PLACES	±	DRAFT WHERE APPLICABLE MUST REMAIN WITHIN DIMENSIONS							
THIRD ANGLE PROJECTION		DRAWING		SERIES		MATERIAL NUMBER		CUSTOMER	
		A3-SIZE		44144		SEE CHART		GENERAL MARKET	
								SHEET NUMBER: 2 OF 2	



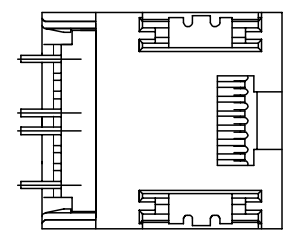
PCB LAYOUT FOR CONNECTOR SIZE 6
(COMPONENT SIDE OF BOARD)



PCB LAYOUT FOR CONNECTOR SIZE 8
(COMPONENT SIDE OF BOARD)



VIEW SHOWING TYPICAL TERMINAL
CUTOFF OF TAIL (SEE NOTE 5) FOR VOIDED CIRCUITS.



TYPICAL VIEW SHOWING VOIDED CIRCUIT
44144-0016 SHOWN

SEE SHEET ONE EC NO: UCP2004-0798 DRW:LSCHMIDT 2004/01/05 CHKD:LSCHMIDT 2004/01/05 APPR:FSMITH 2004/01/08	QUALITY SYMBOLS	GENERAL TOLERANCES (UNLESS SPECIFIED)	SCALE 4:1	DESIGN UNITS INCH	THIRD ANGLE PROJECTION	REVISE ON CAD ONLY	
	DESCRIPTION ▽ = 0 ▽ = 0	mm	INCH	DIMENSION STYLE IN/MM		TITLE	
		4 PLACES ± .005	± .005	DRAWN BY DSTAMBAU	DATE 00/04/07	4, 6, 8 CIRCUIT SMT MODULAR JACK W/ FLUSH FITTING NAILS	
		3 PLACES ± .010	± .010	CHECKED BY BWIRKUS	DATE 00/04/07		
2 PLACES ± 0.25	± .015	APPROVED BY R EDGLEY		DATE 00/04/07	MATERIAL NO. SEE CHART DOCUMENT NO. SD-44144-001 SHEET NO. 2 OF 2		
1 PLACE ± 0.38	± .020	ANGULAR ± 1/2°		MOLEX INCORPORATED THIS DRAWING CONTAINS INFORMATION THAT IS PROPRIETARY TO MOLEX INCORPORATED AND SHOULD NOT BE USED WITHOUT WRITTEN PERMISSION			
		DRAFT WHERE APPLICABLE MUST REMAIN WITHIN DIMENSIONS					