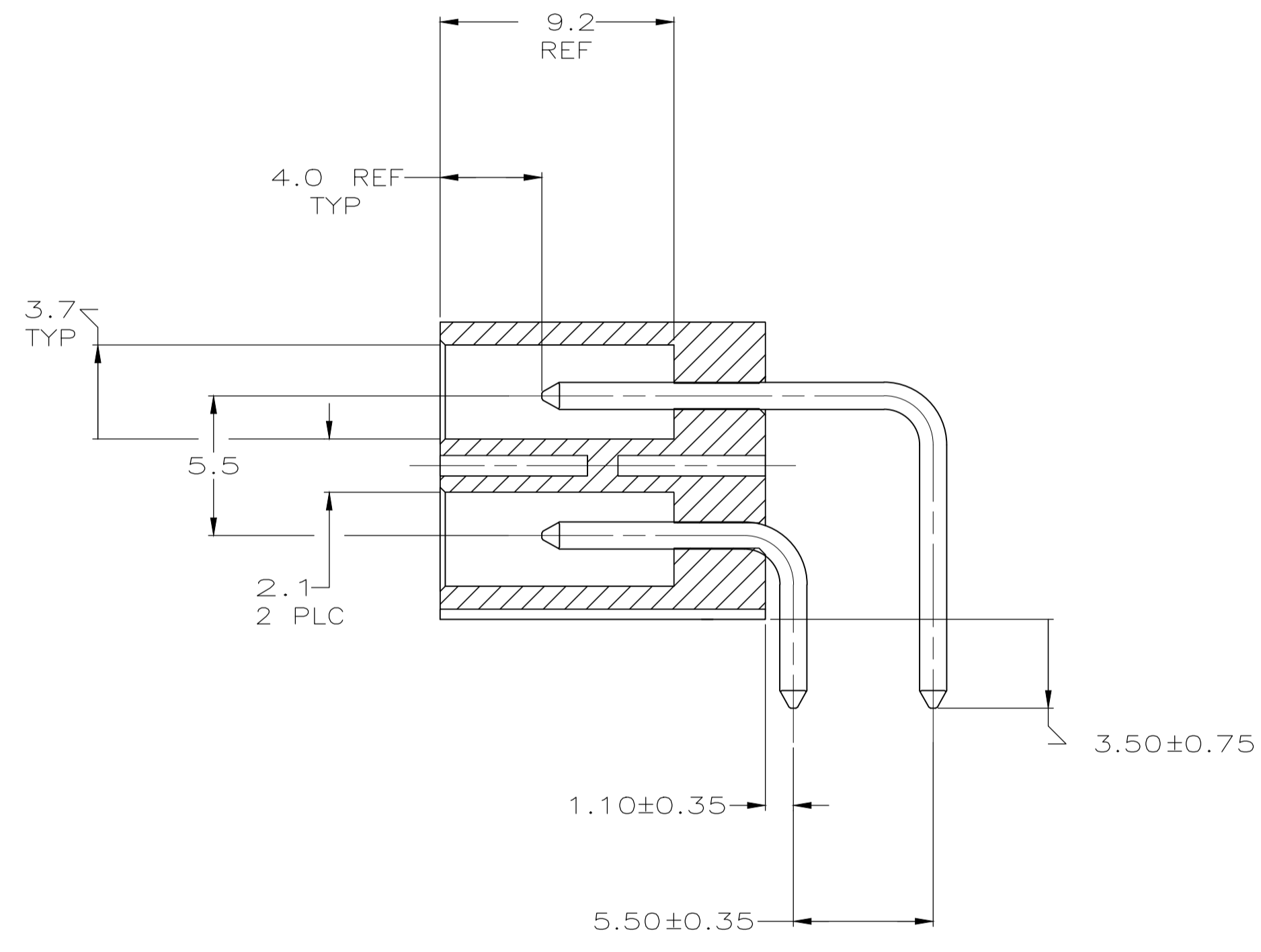
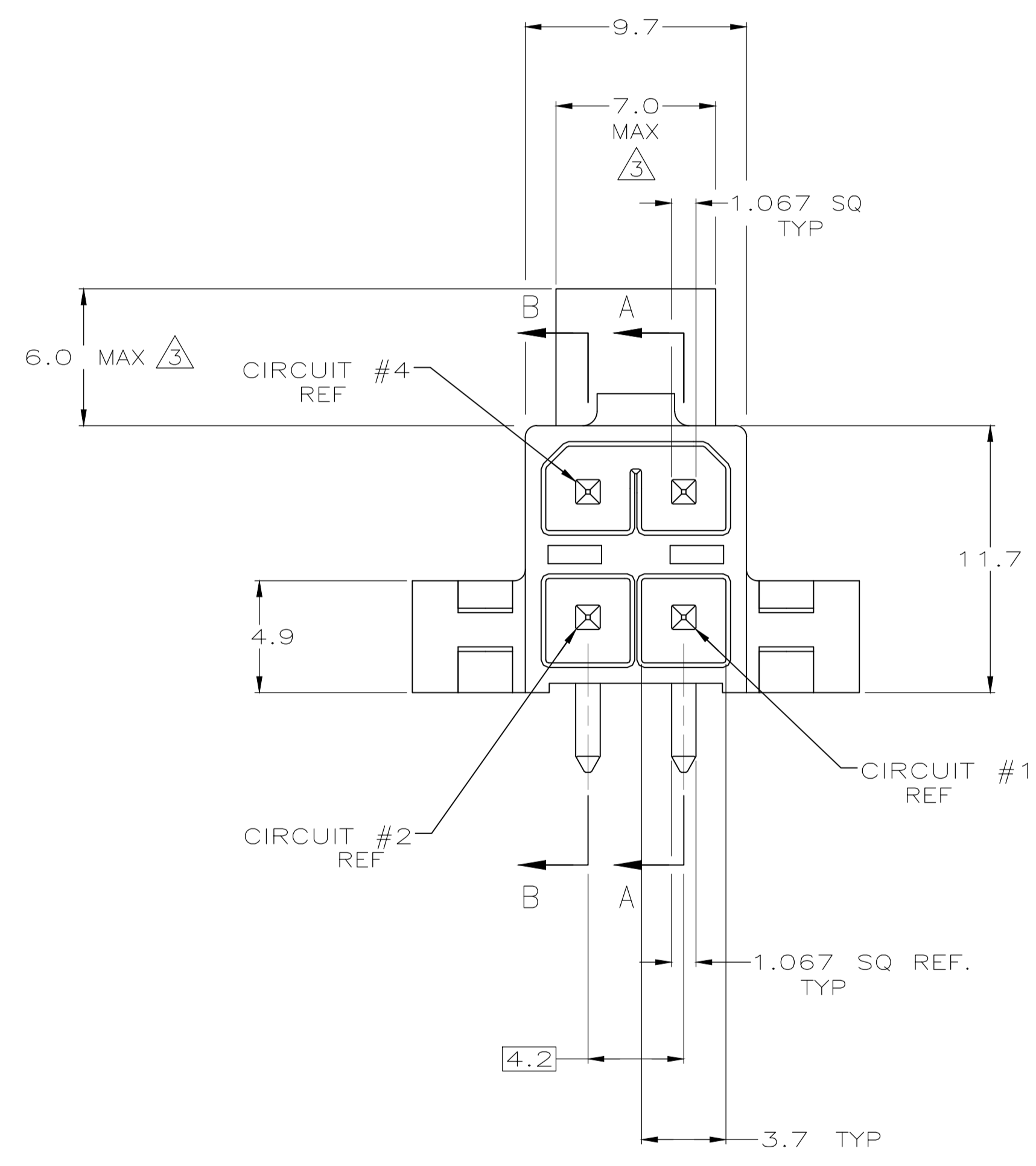
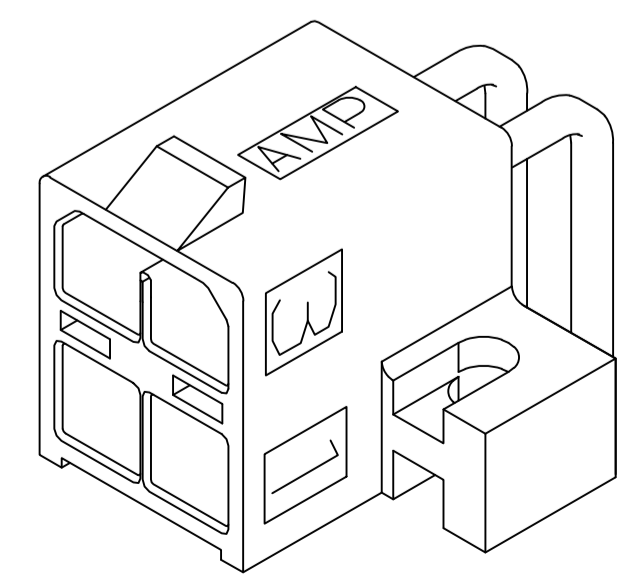
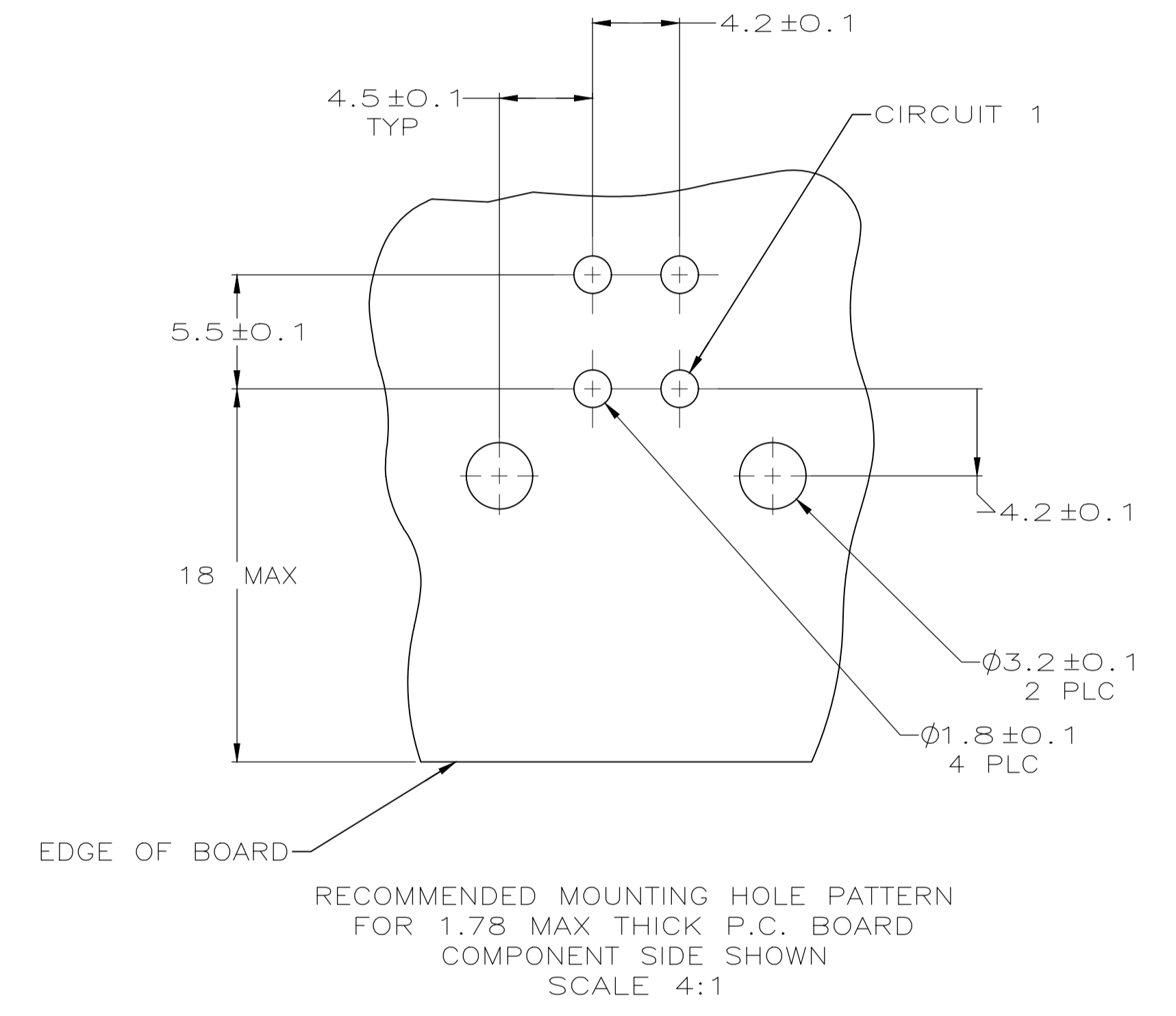


SECTION A-A



SECTION B-B

- △ CONTACT: 0.00076 GOLD AT INTERFACE. 0.00254 MIN MATTE TIN ON SOLDER TAIL. 0.00127 MIN NICKEL UNDERPLATE ALL OVER.
- 2. MATES WITH AMP-DUAC/PL PLUG RECEPTACLE 794152 AND ITS CONTACTS.
- △ CLEARANCE ENVELOPE FOR MATING PLUG RECEPTACLE LATCH.
- △ ALL POSTS STANDARD.
- △ CONTACT GROUND POST LOCATED IN CIRCUIT 3, ASSEMBLY P/N 5794172-3.
- 7. NO POST IN POSITION 1
- 8. NO POST IN POSITION 2
- 9. NO POST IN POSITION 4



3-DIMENSIONAL MODEL NTS

- OBSOLETE △ 9
- OBSOLETE △ 8
- OBSOLETE △ 7
- OBSOLETE △ 6
- OBSOLETE △ 5

5794172-3 SHOWN

MATERIAL	FINISH	MATERIAL	COLOR	PART NO
BRASS	△	PBT, UL94V-0	NATURAL(WHITE)	5794172-6
BRASS	△	PBT, UL94V-0	NATURAL(WHITE)	5794172-5
BRASS	△	PBT, UL94V-0	NATURAL(WHITE)	5794172-4
BRASS	△	PBT, UL94V-0	NATURAL(WHITE)	5794172-3
BRASS	△	PBT, UL94V-0	NATURAL(WHITE)	5794172-2

THIS DRAWING IS A CONTROLLED DOCUMENT.		DIN R GRZYBOWSKI 04MAR05		TE Connectivity	
DIMENSIONS: mm		CIK A FRANTUM 04MAR05			
TOLERANCES UNLESS OTHERWISE SPECIFIED:		APVD A FRANTUM 04MAR05		NAME	
0 PLC ± -		PRODUCT SPEC		HEADER ASSEMBLY, RIGHT ANGLE, 4 CIRCUIT, AMPDUAC/PL POWER CONNECTOR	
1 PLC ± 0.2		APPLICATION SPEC		108-1646	
2 PLC ± 0.13		SIZE		CAGE CODE DRAWING NO	
3 PLC ± -		114-6067		A1 00779	
4 PLC ± -		WEIGHT		RESTRICTED TO	
ANGLES ± -		SEE TABLE		CUSTOMER DRAWING	
± 0° 30'		SCALE		5:1	
SEE TABLE		SHEET		1 OF 1	
		REV		A2	

