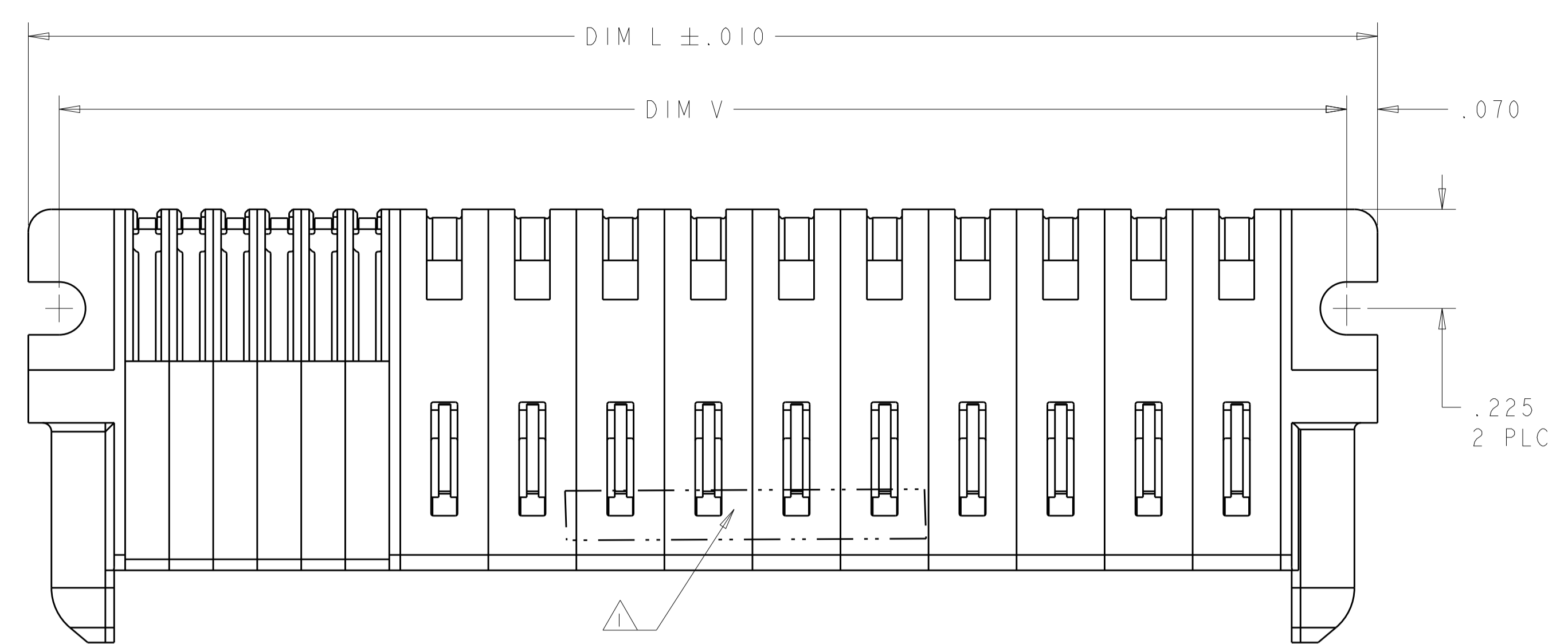
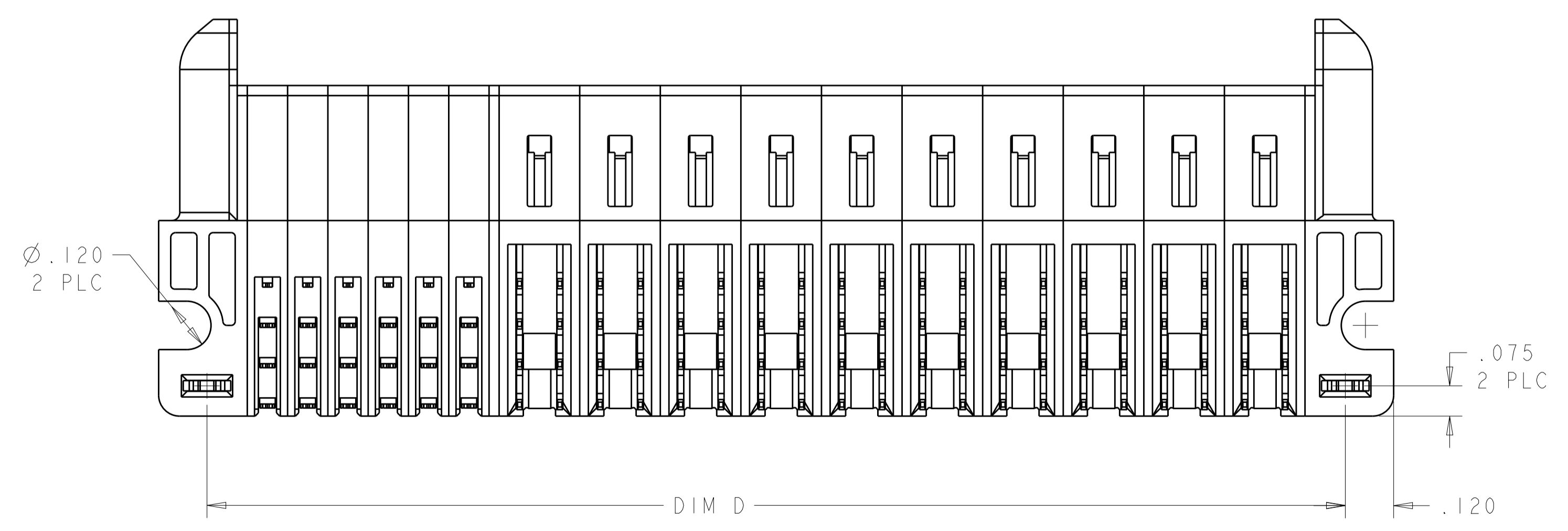
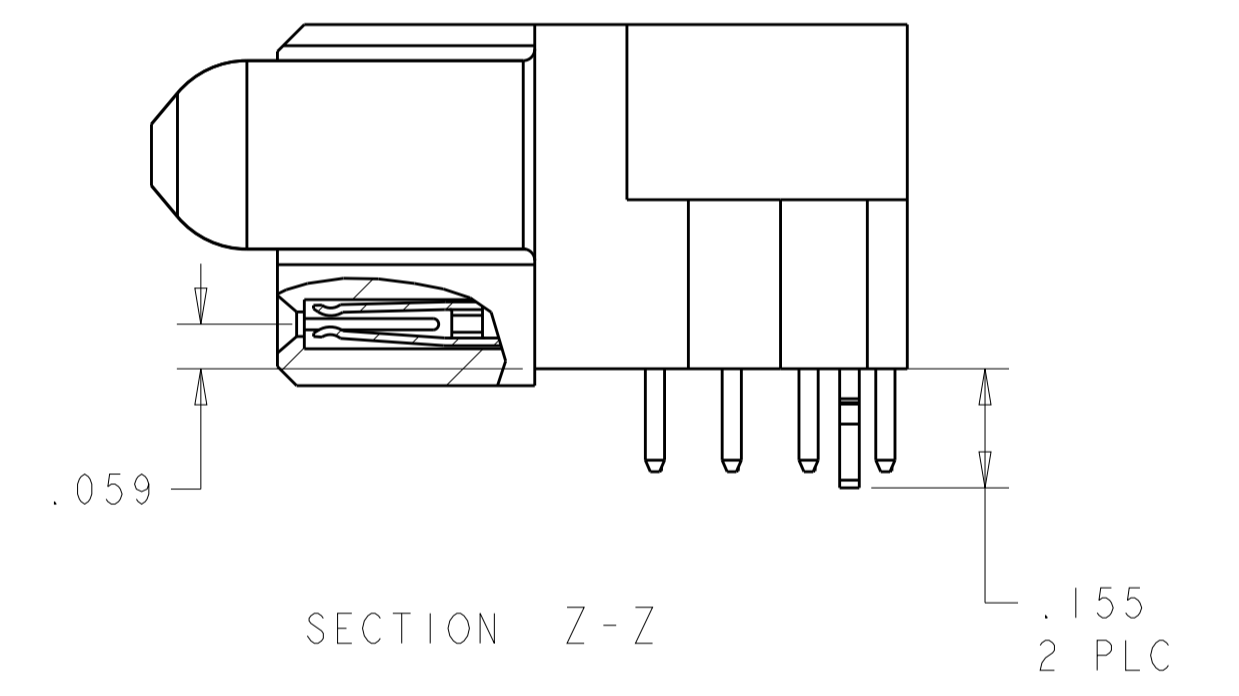
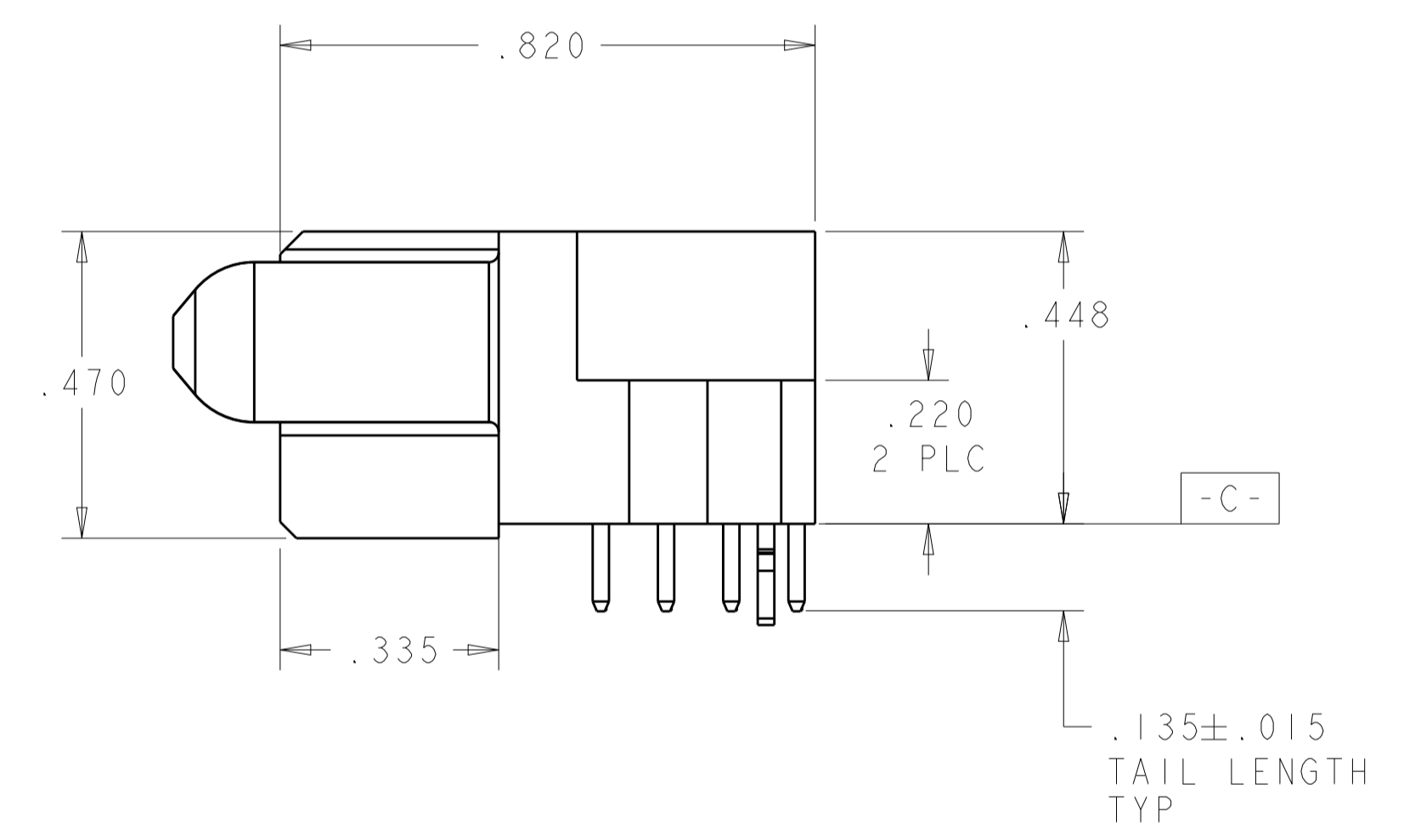
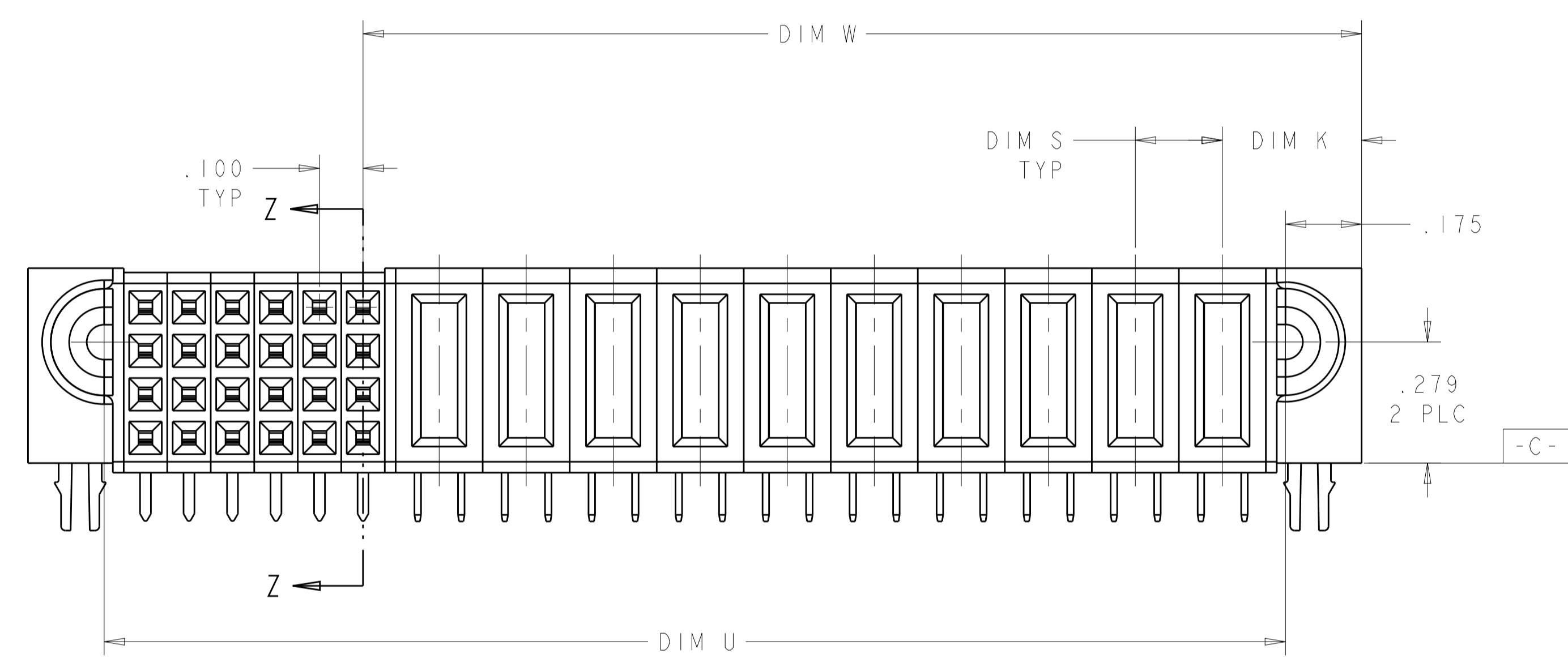


LOC		DIST		REVISIONS			
ES	00	P	LTM	DESCRIPTION	DATE	DWN	APVD
		D2		RELEASE 1-4	12DEC2014	CZ	SZ
		D3		ADD NEW DASH NUMBER 1-9	25MAR2015	CZ	SZ

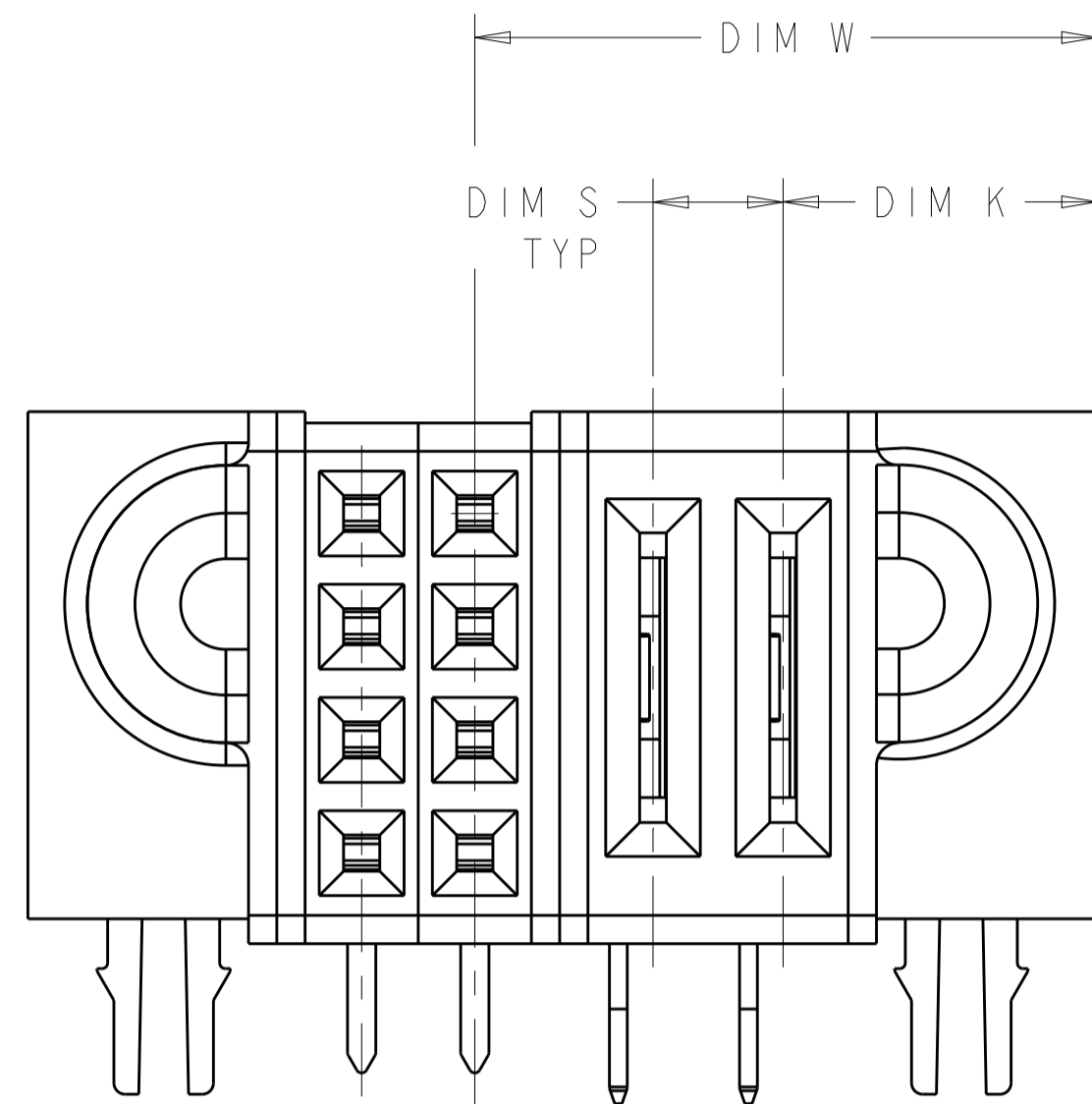


- 1 "AMP", PART NUMBER, AND DATECODE TO BE MARKED IN AREA SHOWN. PARTS UNDER 2.00[50.8] LONG MAY BE MARKED ON BOTH SIDES.
- 2 MATERIAL: HOUSING - GLASS FILLED HIGH TEMP THERMO PLASTIC, BLACK, UL94 V-0
 SIGNAL CONTACT - COPPER ALLOY
 POWER CONTACT - HIGH CONDUCTIVITY COPPER ALLOY
- 3 CONTACT PLATING: NOBLE METAL PLATING ON CONTACT FUNCTIONAL AREA OF SIGNAL CONTACTS AND POWER CONTACTS.
- 4 MECHANICAL CONNECTOR KEEP OUT ZONE.
- 5 DATUM AND BASIC DIMENSIONS ESTABLISHED BY CUSTOMER.
- 6 PCB - HOLE DIAMETERS ARE FINISHED HOLE SIZE.
- 7 PCB - .0453±.0010[1.151±0.025] DRILLED HOLES PLATED WITH .0003[0.008] MIN Sn OVER .001[0.03] TO .003[0.08] Cu PLATING TO ACHIEVE A .040[1.02] DIA HOLE.
- 8 VARIABLE DIMENSIONS SHOWN ON VIEW.
- 9 FOR CONFIGURATION "L/P", VARIABLE DIMENSIONS PLEASE REFERTO SHEET 2.



THIS DRAWING IS A CONTROLLED DOCUMENT.		DWN C. ZHOU 06FEB2009	 TE Connectivity
DIMENSIONS: INCHES[MM]		CHK S. ZHAO 06FEB2009	
TOLERANCES UNLESS OTHERWISE SPECIFIED:		APVD S. ZHAO 06FEB2009	NAME RIGHT ANGLE RECEPTACLE WITH LP AND SHORT END MODULAR MULTI-BEAM XLE
0 PLC ±.01	1 PLC ±.01	PRODUCT SPEC 108-2292	SIZE A100779
2 PLC ±.005	3 PLC ±.005	APPLICATION SPEC 114-13251	CAGE CODE C=6450872
4 PLC ±.0020	ANGLES ±.7°	WEIGHT	RESTRICTED TO
MATERIAL	FINISH	CUSTOMER DRAWING	SCALE 4:1 SHEET 1 OF 11 REV D.3

LOC	DIST	REVISIONS					
		P	LTN	DESCRIPTION	DATE	DWN	APVD
ES	00	-	-	SEE SHEET 1	-	-	-

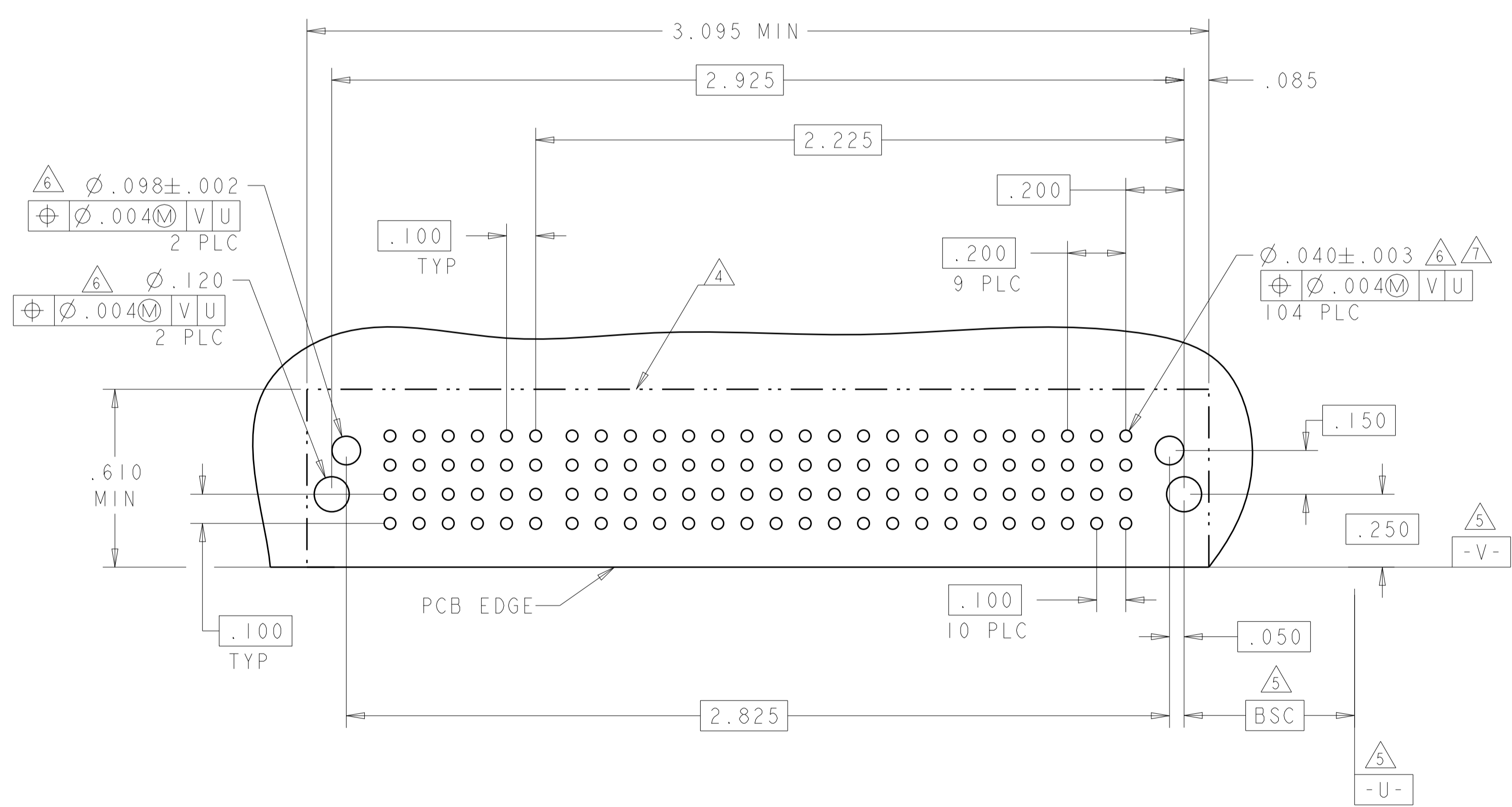
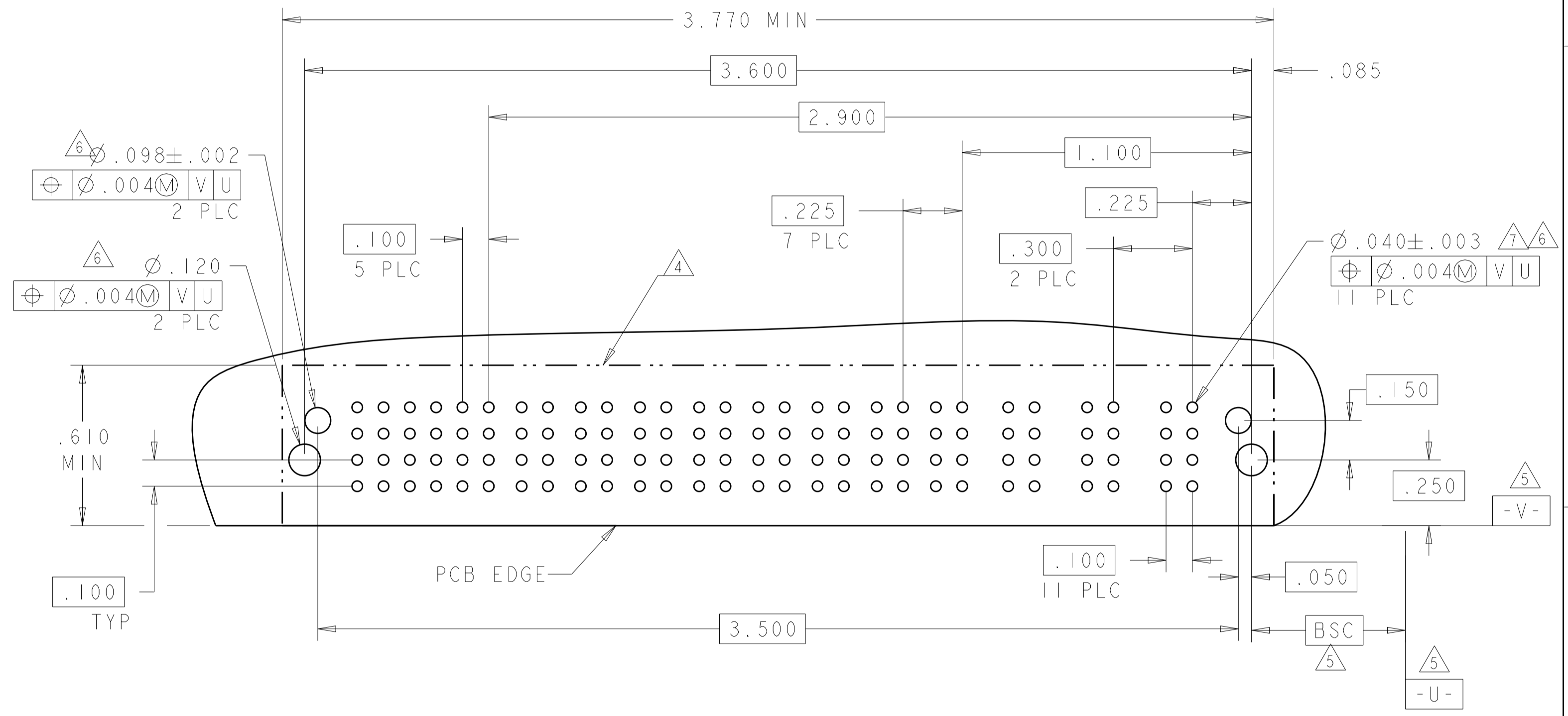
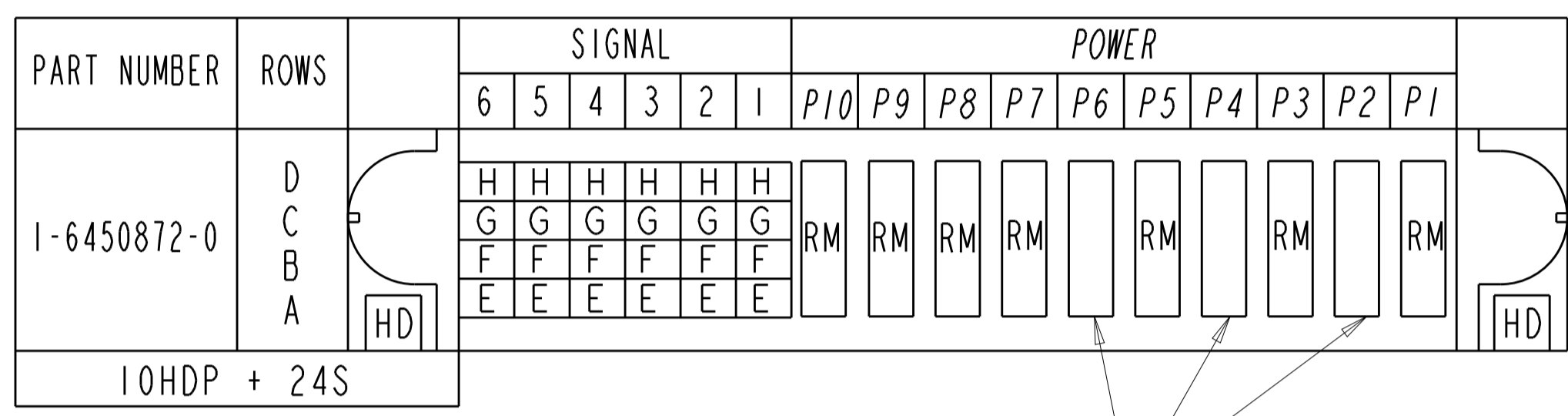
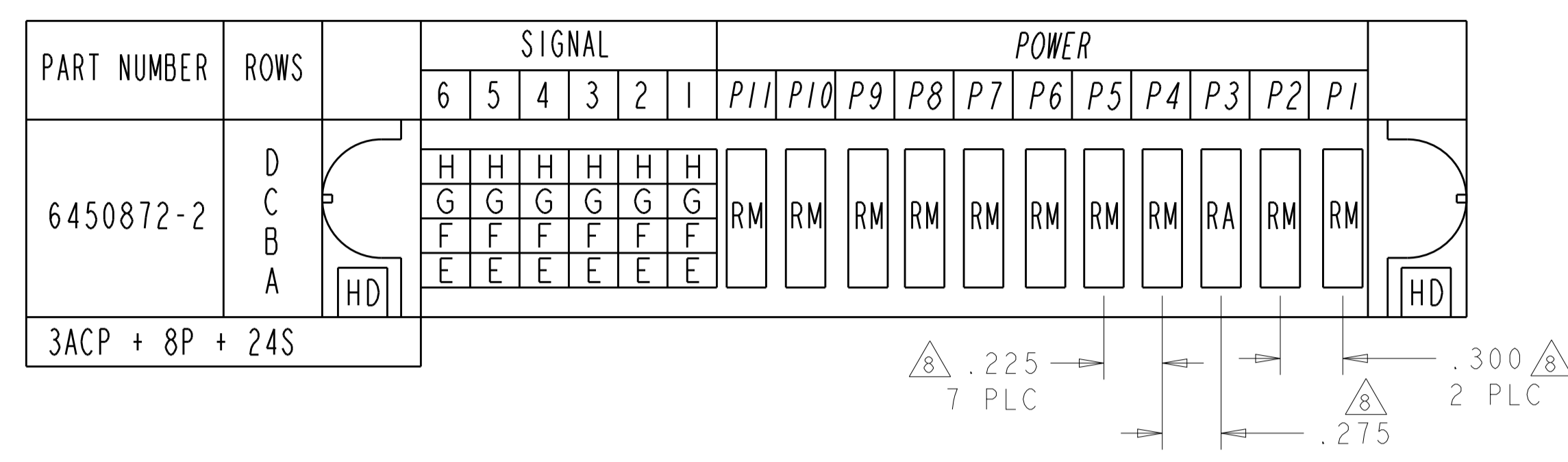
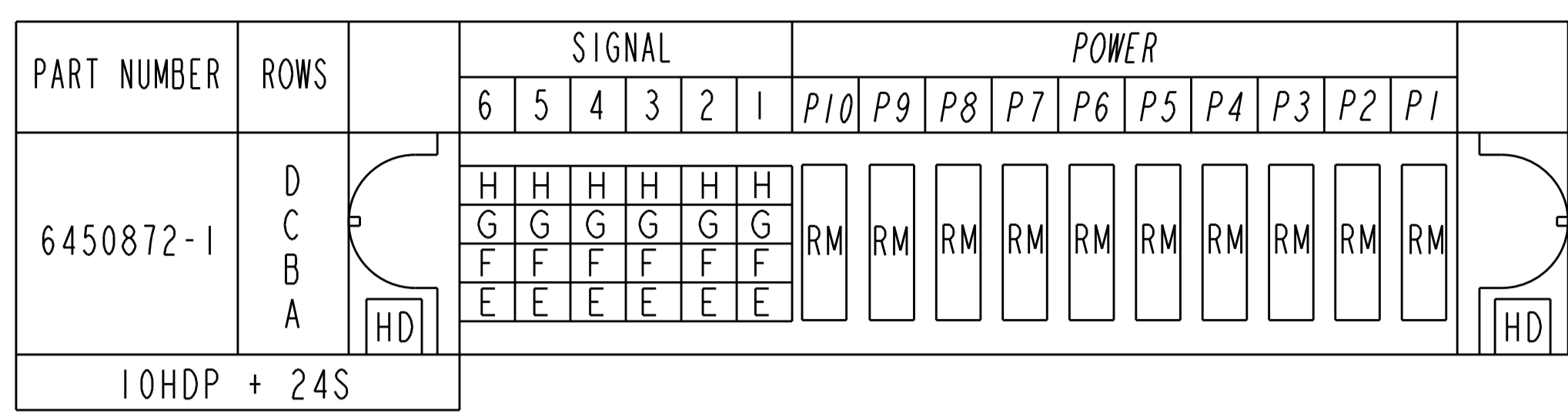


FOR CONFIGURATION "L/P", OTHER DIMENSIONS PLEASE REFER TO SHEET 1

.200	2.965	2.825	2.615	2.725	2.195	.320	10HDP + 20S	1-6450872-9
$\triangle 8$	2.090	1.950	1.740	1.850	1.320	.320	5HDP + 24S	1-6450872-8
.250	3.240	3.100	2.890	3.000	2.270	.345	8P + 32S	1-6450872-7
$\triangle 8$	2.965	2.825	2.615	2.725	2.195	.370	3ACP + 4P + 24S	1-6450872-6
.250	3.040	2.900	2.690	2.800	2.270	.345	8HDP + 24S	1-6450872-5
.200	1.990	1.850	1.640	1.750	1.320	.345	5HDP + 20S	1-6450872-4
.115 $\triangle 9$.945	.805	.595	.705	.550 $\triangle 9$.2775 $\triangle 9$	2LP + 8S	1-6450872-3
.200	3.065	2.925	2.715	2.825	2.295	.320	10HDP + 24S	1-6450872-0
.200	2.240	2.100	1.890	2.000	1.470	.320	6HDP + 24S	6450872-9
$\triangle 8$	3.065	2.925	2.715	2.825	1.895	.370	4P + 40S	6450872-8
.250	4.640	4.500	4.290	4.400	3.270	.320	12P + 48S	6450872-7
.250	2.415	2.275	2.065	2.175	1.745	.320	6P + 20S	6450872-6
.250	1.490	1.350	1.140	1.250	1.020	.345	3P + 12S	6450872-4
$\triangle 8$	1.590	1.450	1.240	1.350	.995	.345	2P + 8S	6450872-3
$\triangle 8$	3.740	3.600	3.390	3.500	2.970	.345	3ACP + 8P + 24S	6450872-2
.200	3.065	2.925	2.715	2.825	2.295	.320	10HDP + 24S	6450872-1
DIM S	DIM L	DIM V	DIM U	DIM D	DIM W	DIM K	DESCRIPTION	PART NUMBER

THIS DRAWING IS A CONTROLLED DOCUMENT.		DWN C. ZHOU 06FEB2009	TE Connectivity NAME RIGHT ANGLE RECEPTACLE WITH LP AND SHORT END MODULAR MULTI-BEAM XLE
DIMENSIONS: INCHES(MM)		CHK S. ZHAO 06FEB2009	
TOLERANCES UNLESS OTHERWISE SPECIFIED: 0 PLC ±. 1 PLC ±.01 2 PLC ±.01 3 PLC ±.005 4 PLC ±.0020 ANGLES ±.020 FINISH		APVD S. ZHAO 06FEB2009	
		PRODUCT SPEC 108-2292 APPLICATION SPEC 114-13251 WEIGHT CUSTOMER DRAWING	
MATERIAL		SIZE A100779	CAGE CODE DRAWING NO 6450872 SCALE 4:1 SHEET 2 OF 11 REV D3

LOC	DIST	REVISIONS					
ES	00	P	LTN	DESCRIPTION	DATE	OWN	APVD
				SEE SHEET 1			



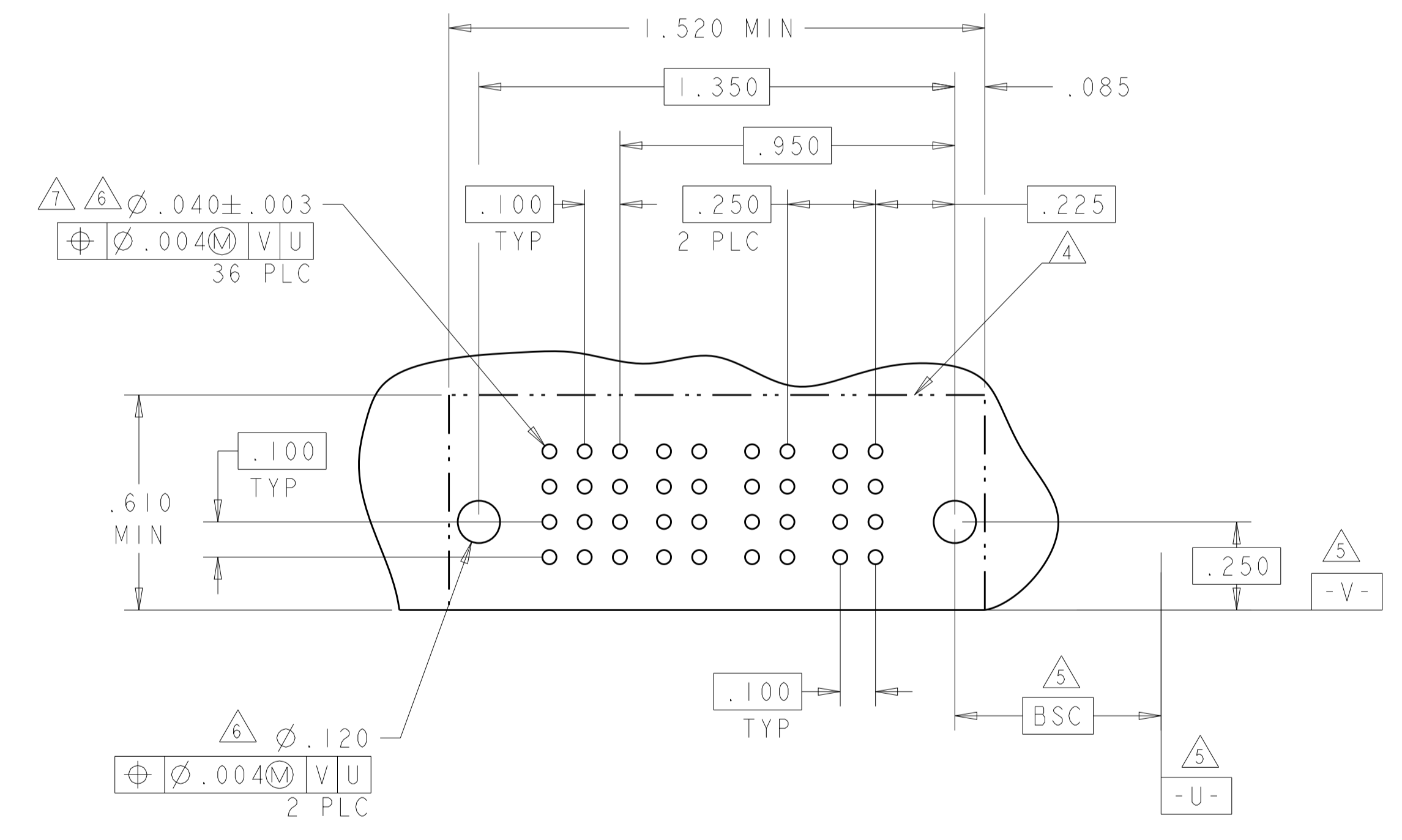
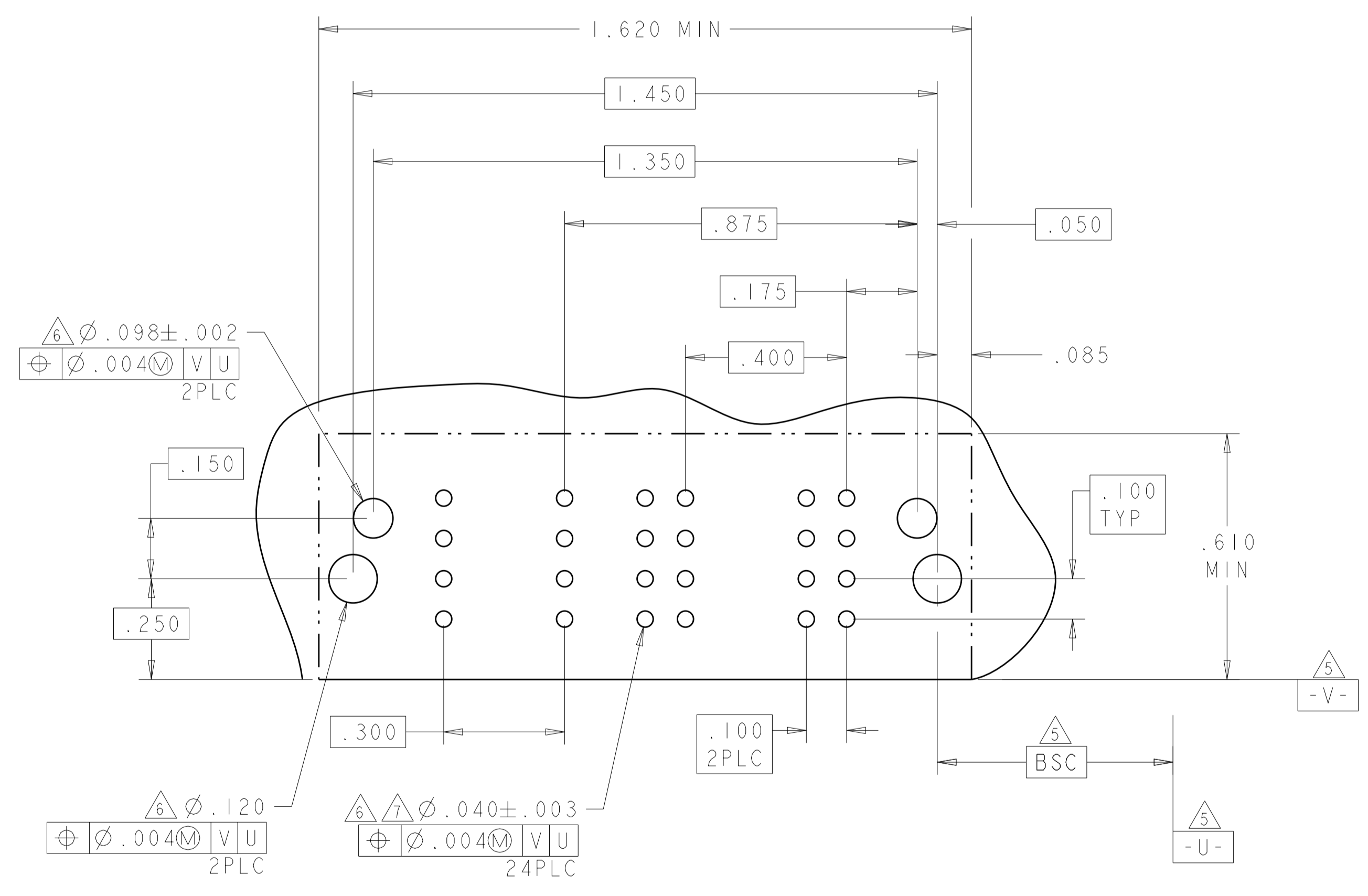
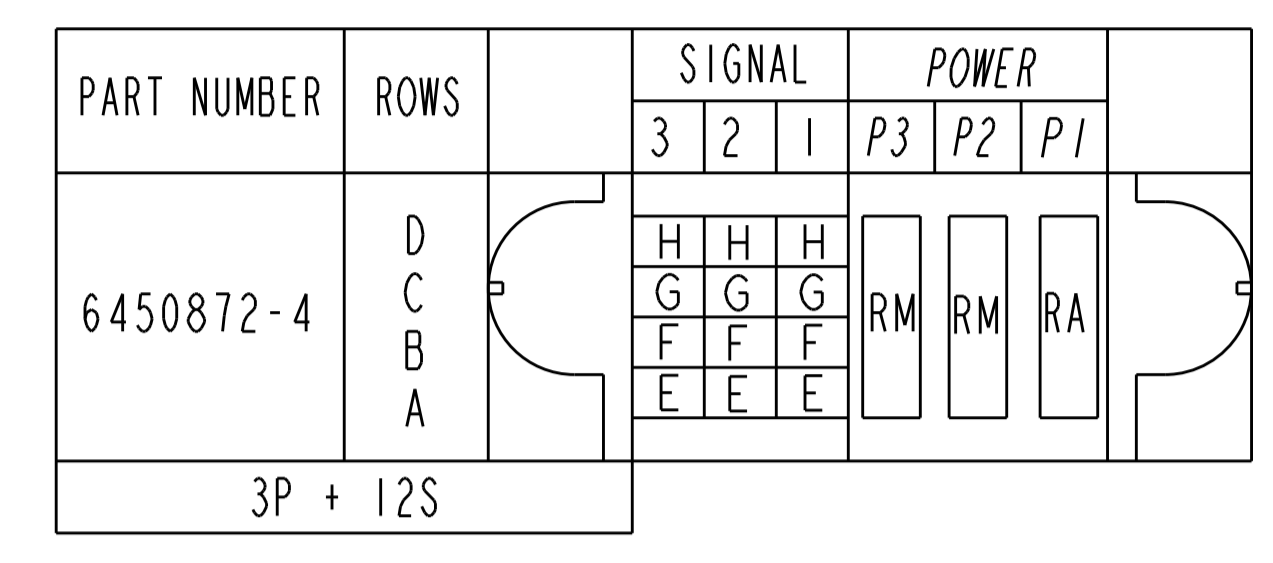
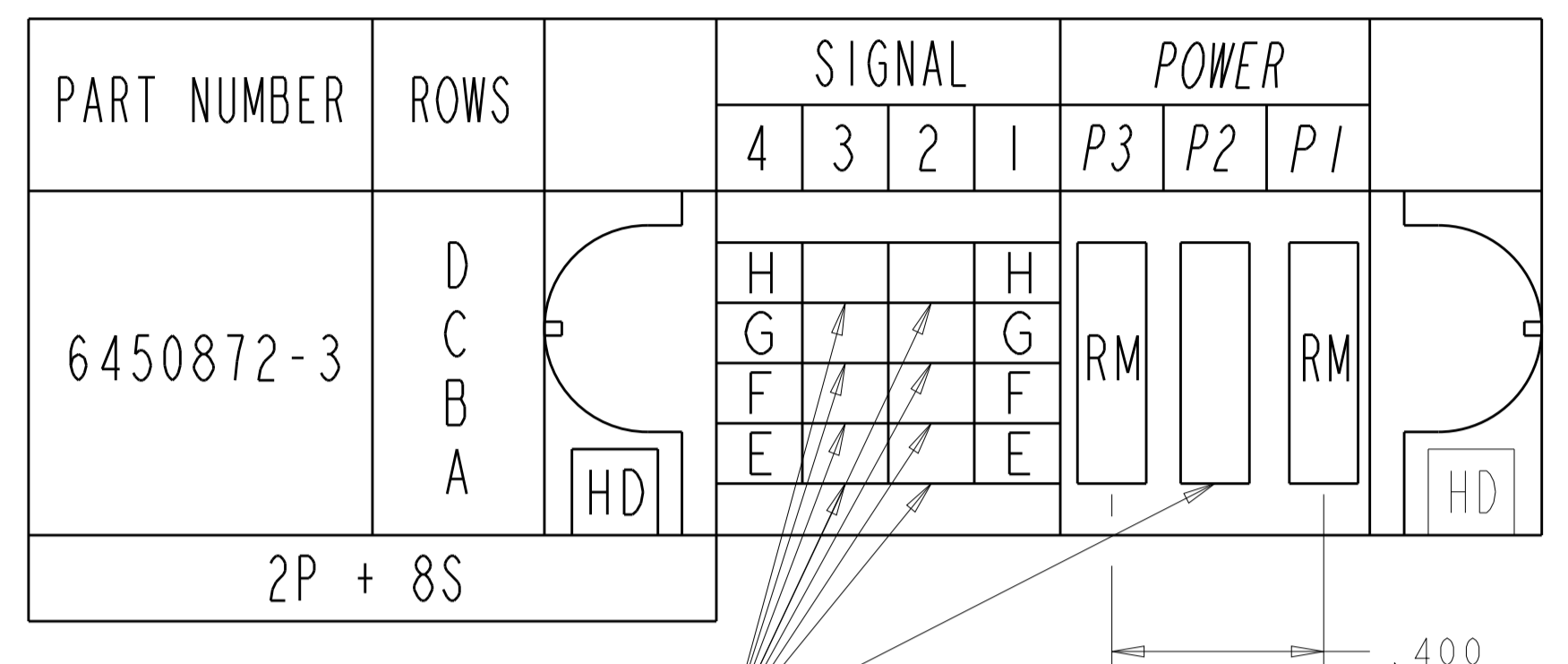
NO LOADING CONTACTS

PCB LAYOUT FOR P/N: 6450872-1 AND 1-6450872-0

STD LOW POWER CONTACT, .135 TAIL LENGTH	LM
STANDARD SIGNAL CONTACT, .135 TAIL LENGTH, ROW D	H
STANDARD SIGNAL CONTACT, .135 TAIL LENGTH, ROW C	G
STANDARD SIGNAL CONTACT, .135 TAIL LENGTH, ROW B	F
STANDARD SIGNAL CONTACT, .135 TAIL LENGTH, ROW A	E
MFBL POWER CONTACT, .135 TAIL LENGTH	RA
STD POWER CONTACT, .135 TAIL LENGTH	RM
HOLD DOWN	HD
DESCRIPTION	IDENTIFIER

THIS DRAWING IS A CONTROLLED DOCUMENT.		OWN: C. ZHOU 06FEB2009	STE TE Connectivity
DIMENSIONS: INCHES[MM]		CHK: S. ZHAO 06FEB2009	
TOLERANCES UNLESS OTHERWISE SPECIFIED:		APVD: S. ZHAO 06FEB2009	NAME: RIGHT ANGLE RECEPTACLE WITH LP AND SHORT END MODUAL MULTI-BEAM XLE
0 PLC ± .010		PRODUCT SPEC: 108-2292	
1 PLC ± .010		APPLICATION SPEC: 114-13251	SIZE: CAGE CODE DRAWING NO: A100779C=6450872
2 PLC ± .010		WEIGHT: -	RESTRICTED TO: -
3 PLC ± .005		CUSTOMER DRAWING	SCALE: 4:1 SHEET 3 OF 11 REV: D.3
4 PLC ± .0020			
ANGLES ± .020			
FINISH: -			

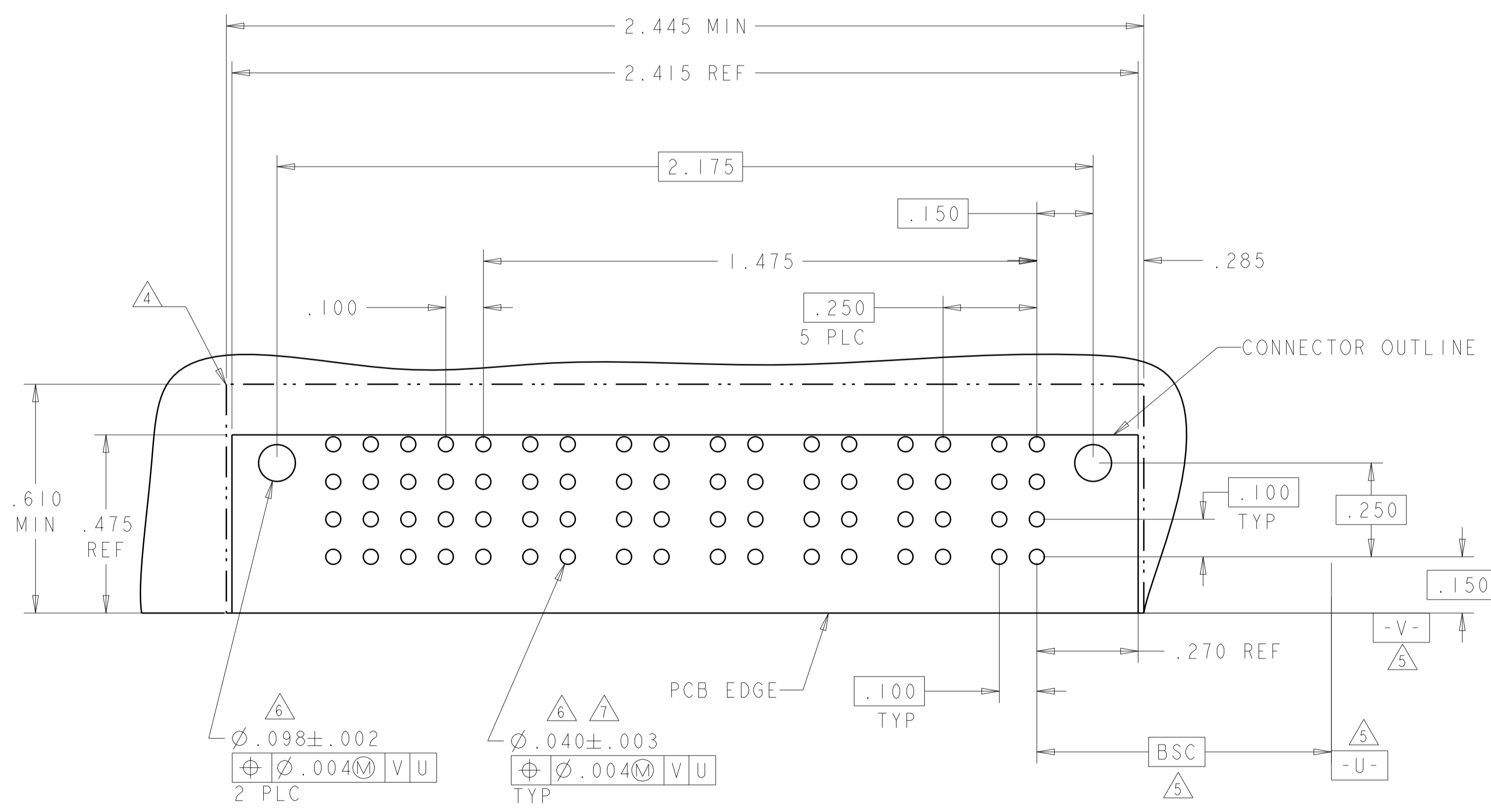
LOC		DIST		REVISIONS			
P	LYR	DESCRIPTION	DATE	OWN	APVD		
-	-	SEE SHEET 1	-	-	-		



THIS DRAWING IS A CONTROLLED DOCUMENT.		DWN C. ZHOU 06FEB2009	TE Connectivity
DIMENSIONS: INCHES(MM)		CHK S. ZHAO 06FEB2009	
TOLERANCES UNLESS OTHERWISE SPECIFIED:		APVD S. ZHAO 06FEB2009	NAME RIGHT ANGLE RECEPTACLE WITH LP AND SHORT END MODULAR MULTI-BEAM XLE
0 PLC ± 1 PLC ±.01 2 PLC ±.01 3 PLC ±.005 4 PLC ±.0020 ANGLES ±.2°		PRODUCT SPEC 108-2292	SIZE 114-13251
MATERIAL		APPLICATION SPEC 114-13251	RESTRICTED TO
FINISH		WEIGHT	A100779
CUSTOMER DRAWING		SCALE 4:1	SHEET 4 OF 11 REV D.3

LOC	DIST	REVISIONS					
		P	LTH	DESCRIPTION	DATE	DMN	APVD
ES	00	-	-	SEE SHEET 1	-	-	-

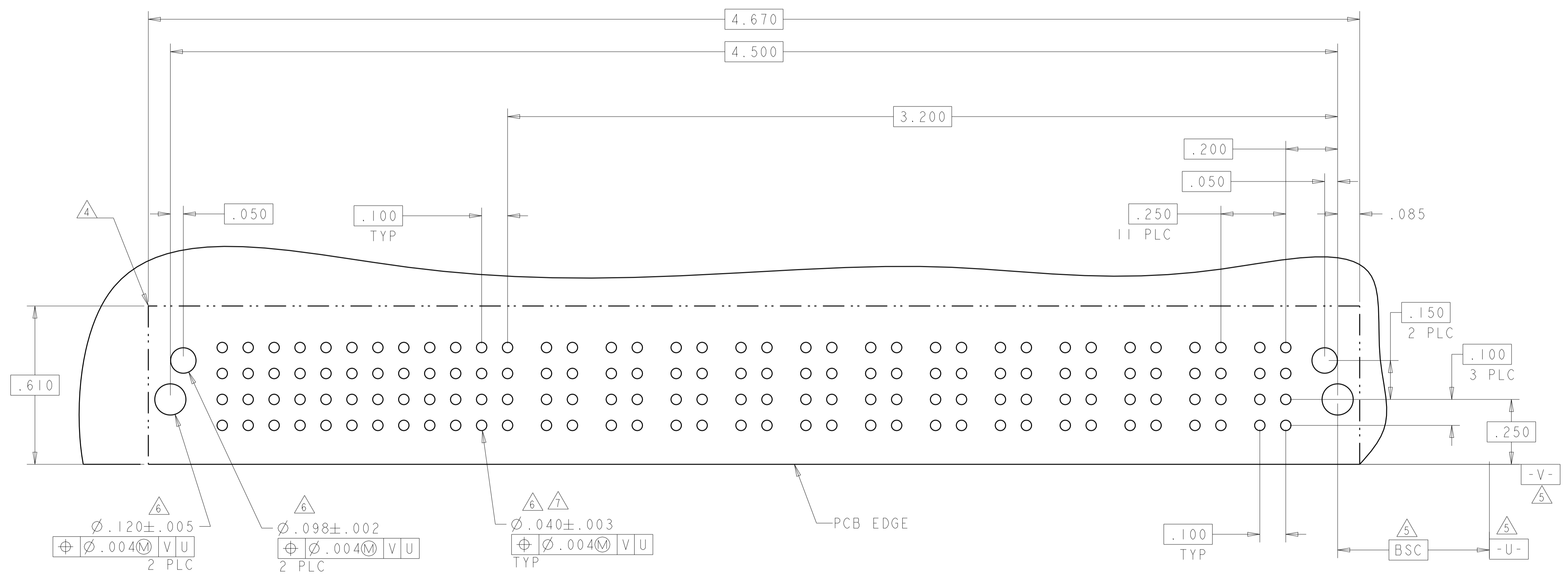
PART NUMBER	ROWS	SIGNAL					POWER					HD	
		5	4	3	2	1	P6	P5	P4	P3	P2		P1
6450872-6	D	H	H	H	H	H	RA	RA	RA	RA	RM	RM	HD
	C	G	G	G	G	G							
	B	F	F	F	F	F							
	A	E	E	E	E	E							
6P + 20S													



THIS DRAWING IS A CONTROLLED DOCUMENT.		DMN C. ZHOU 06FEB2009	 TE Connectivity
DIMENSIONS: INCHES(MM)		CHK S. ZHAO 06FEB2009	
TOLERANCES UNLESS OTHERWISE SPECIFIED:		APVD S. ZHAO 06FEB2009	NAME RIGHT ANGLE RECEPTACLE WITH LP AND SHORT END MODULAR MULTI-BEAM XLE
0 PLC ±. 1 PLC ±.01 2 PLC ±.01 3 PLC ±.005 4 PLC ±.0020 ANGLES ±.2°		PRODUCT SPEC 108-2292	SIZE 114-13251
MATERIAL		APPLICATION SPEC	RESTRICTED TO
FINISH		WEIGHT	A100779C=6450872
CUSTOMER DRAWING		SCALE 4:1	SHEET 5 OF 11 REV D3

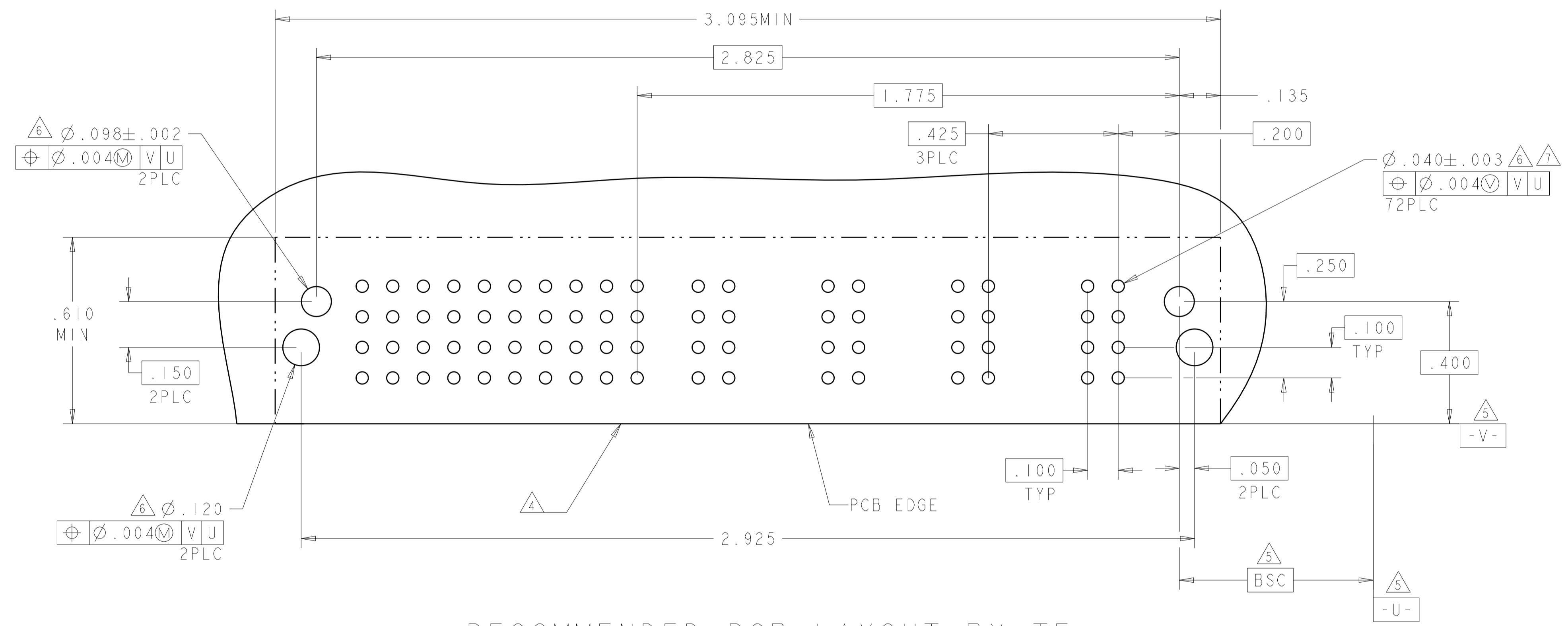
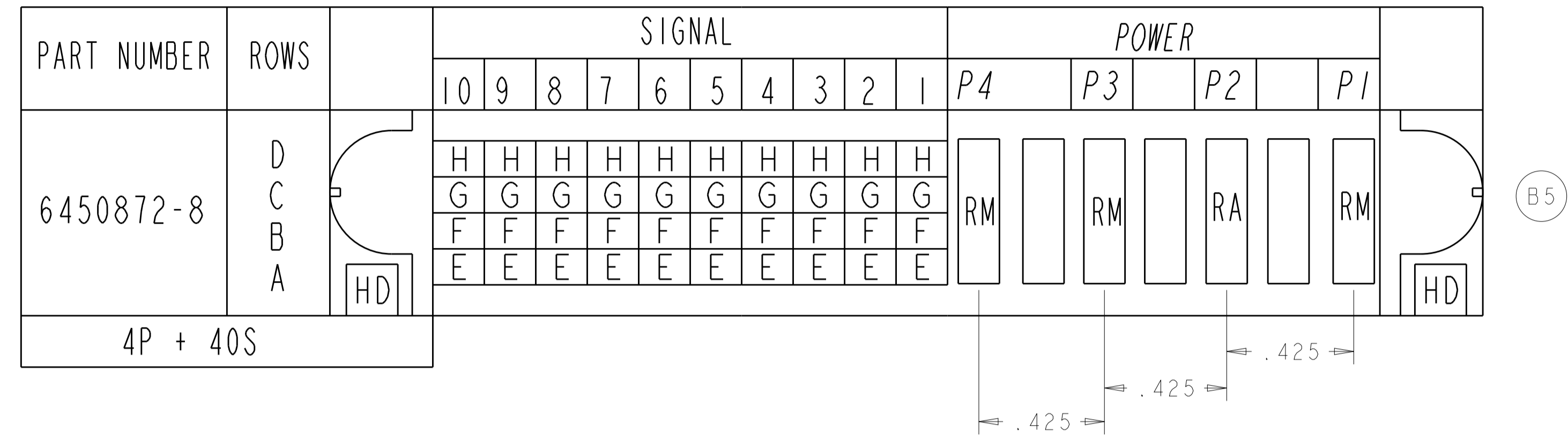
LOC	DIST	REVISIONS					
		P	LTN	DESCRIPTION	DATE	DWN	APVD
ES	00	-	-	SEE SHEET 1	-	-	-

PART NUMBER	ROWS	SIGNAL											POWER												
		12	11	10	9	8	7	6	5	4	3	2	1	P12	P11	P10	P9	P8	P7	P6	P5	P4	P3	P2	P1
6450872-7	D	H	H	H	H	H	H	H	H	H	H	H	RM	RM	RM	RM	RM	RM	RM	RM	RM	RM	RM	RM	
	C	G	G	G	G	G	G	G	G	G	G	G													
	B	F	F	F	F	F	F	F	F	F	F	F													
	A	E	E	E	E	E	E	E	E	E	E	E													
12P + 48S																									



THIS DRAWING IS A CONTROLLED DOCUMENT.		DWN C. ZHOU 06FEB2009	 TE Connectivity
DIMENSIONS: INCHES(MM)		CHK S. ZHAO 06FEB2009	
TOLERANCES UNLESS OTHERWISE SPECIFIED:		APVD S. ZHAO 06FEB2009	NAME RIGHT ANGLE RECEPTACLE WITH LP AND SHORT END MODULAR MULTI-BEAM XLE
0 PLC ± 1 PLC ±.01 2 PLC ±.01 3 PLC ±.005 4 PLC ±.0020 ANGLES ±.2°		PRODUCT SPEC 108-2292	SIZE A100779
MATERIAL		APPLICATION SPEC 114-13251	RESTRICTED TO
FINISH		WEIGHT	SCALE 4:1 SHEET 6 OF 11 REV D3
		CUSTOMER DRAWING	

LOC	DIST	REVISIONS					
ES	00	P	LTN	DESCRIPTION	DATE	DMN	APVD
		-		SEE SHEET 1			



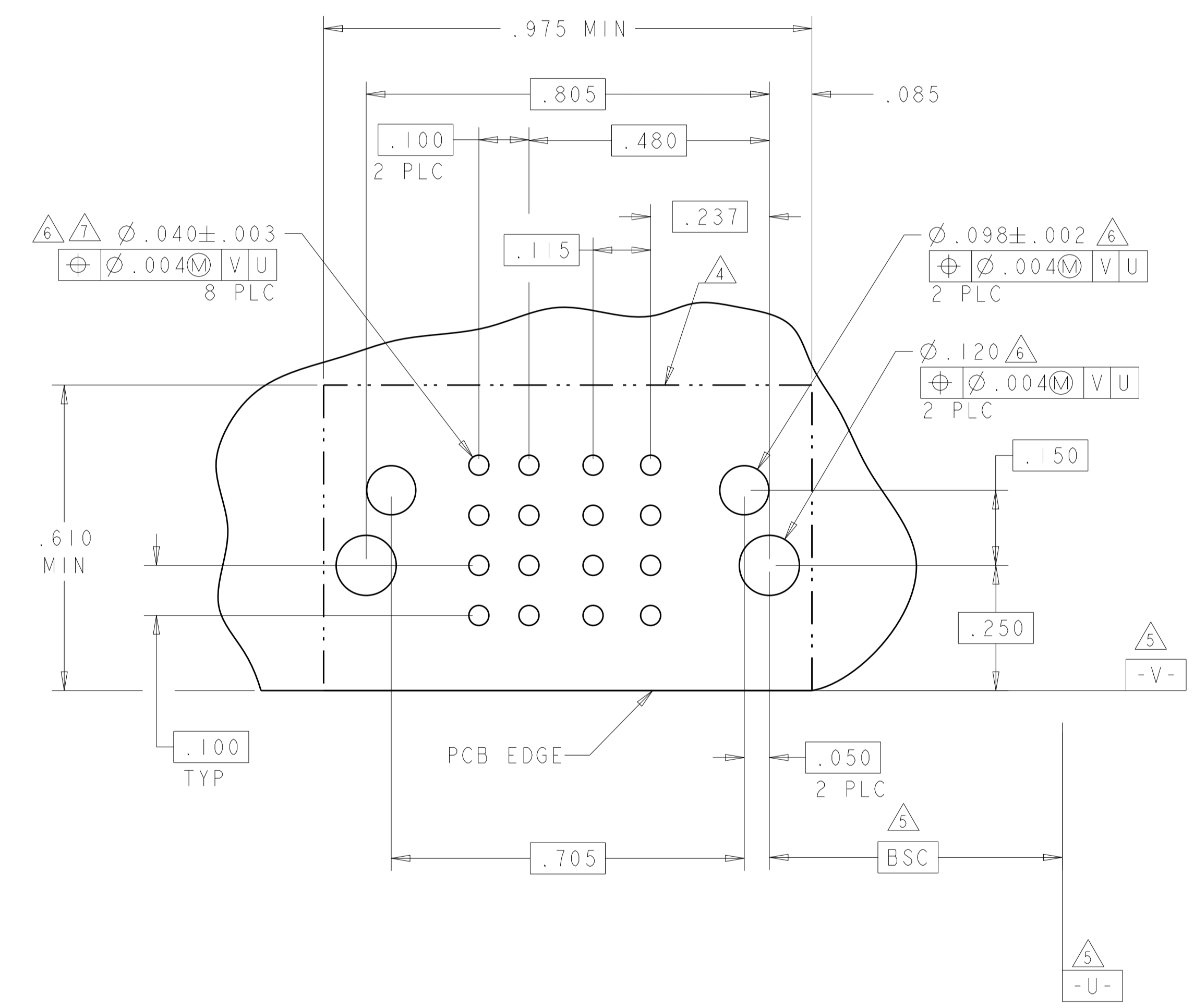
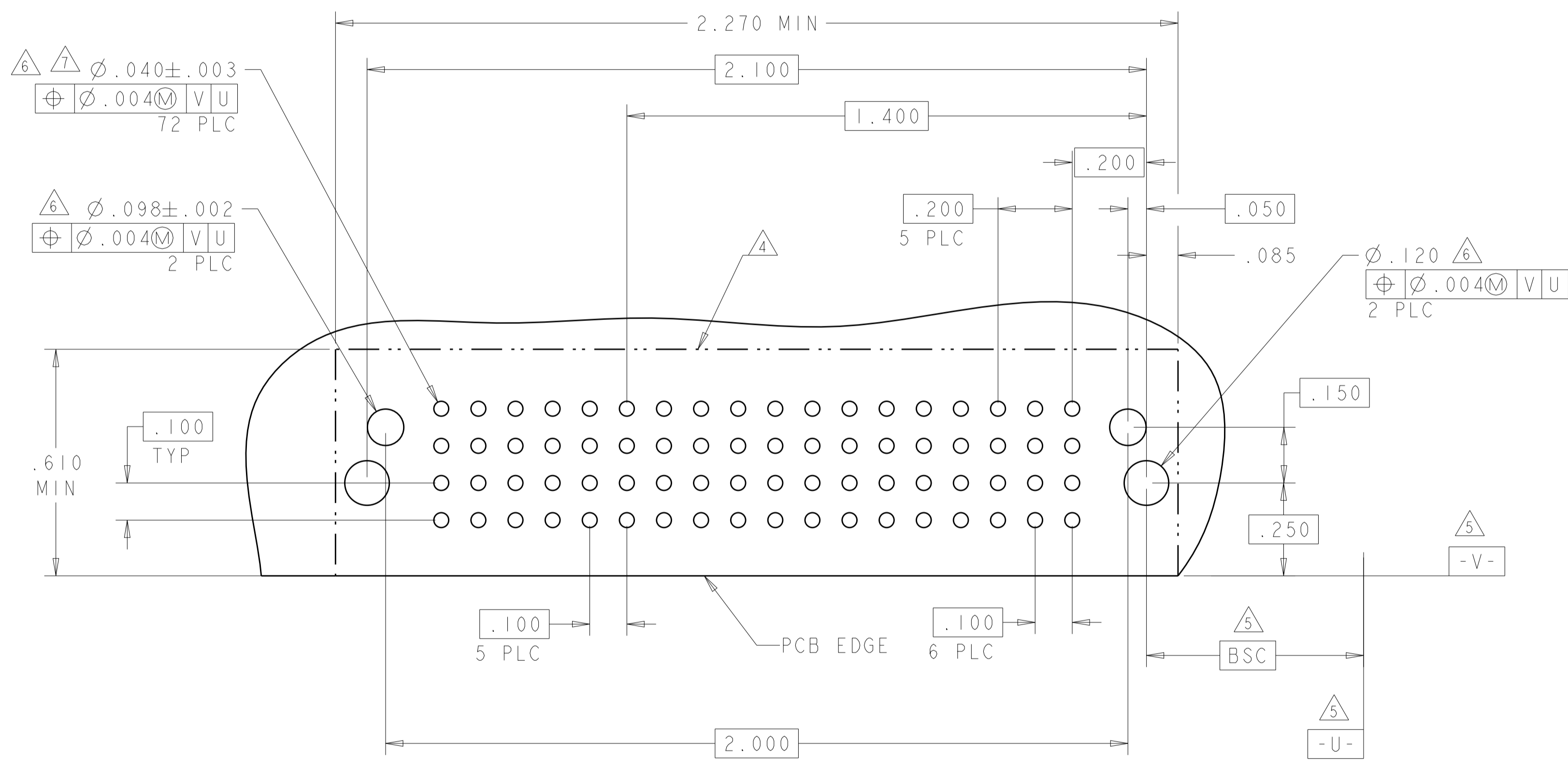
RECOMMENDED PCB LAYOUT BY TE

THIS DRAWING IS A CONTROLLED DOCUMENT.		DMN C. ZHOU 06FEB2009	TE Connectivity
DIMENSIONS: INCHES(MM)		CHK S. ZHAO 06FEB2009	
		APVD S. ZHAO 06FEB2009	NAME RIGHT ANGLE RECEPTACLE WITH LP AND SHORT END MODULAR MULTI-BEAM XLE
TOLERANCES UNLESS OTHERWISE SPECIFIED:		PRODUCT SPEC	SIZE A100779C=6450872
0 PLC ±		108-2292	RESTRICTED TO
1 PLC ±.01		APPLICATION SPEC	
2 PLC ±.01		114-13251	
3 PLC ±.005		WEIGHT	
4 PLC ±.0020		CUSTOMER DRAWING	SCALE 4:1 SHEET 7 OF 11 REV D.3
ANGLES ±.2°			
FINISH			

LOC	DIST	REV	DATE	BY	APPV
ES	00				
DESCRIPTION			DATE	BY	APPV
SEE SHEET 1					

PART NUMBER	ROWS	SIGNAL						POWER									
		6	5	4	3	2	1	P6	P5	P4	P3	P2	P1				
6450872-9	D	H	H	H	H	H	H	RM	RM	RM	RM	RM	RM				
	C	G	G	G	G	G	G										
	B	F	F	F	F	F	F										
	A	E	E	E	E	E	E										
6HDP + 24S		HD														HD	

PART NUMBER	ROWS	SIGNAL		LOW POWER	
		2	1	LP2	LPI
1-6450872-3	D	H	H	LM	LM
	C	G	G		
	B	F	F		
	A	E	E		
2LP + 8S		HD		HD	



B9

THIS DRAWING IS A CONTROLLED DOCUMENT.		OWN: C. ZHOU 06FEB2009	 TE Connectivity
DIMENSIONS: INCHES(MM)		CHK: S. ZHAO 06FEB2009	
TOLERANCES UNLESS OTHERWISE SPECIFIED:		APVD: S. ZHAO 06FEB2009	NAME: RIGHT ANGLE RECEPTACLE WITH LP AND SHORT END MODULAR MULTI-BEAM XLE
0 PLC ±.01		PRODUCT SPEC: 108-2292	SIZE: A100779C=6450872
1 PLC ±.01		APPLICATION SPEC: 114-13251	RESTRICTED TO: -
2 PLC ±.01		WEIGHT: -	SCALE: 4:1
3 PLC ±.005		CUSTOMER DRAWING	SHEET 8 OF 11
4 PLC ±.0020			REV D3
ANGLES: ±.7°			
FINISH: -			

LOC	DIST	REV	DATE	BY	APPV
ES	00				
REVISIONS			DESCRIPTION	DATE	BY
			SEE SHEET 1		

PART NUMBER	ROWS	SIGNAL					POWER				
		5	4	3	2	1	P5	P4	P3	P2	P1
I-6450872-4	D	H	H	H	H	H	RA	RM	RM	RM	RM
	C	G	G	G	G	G					
	B	F	F	F	F	F					
	A	E	E	E	E	E					

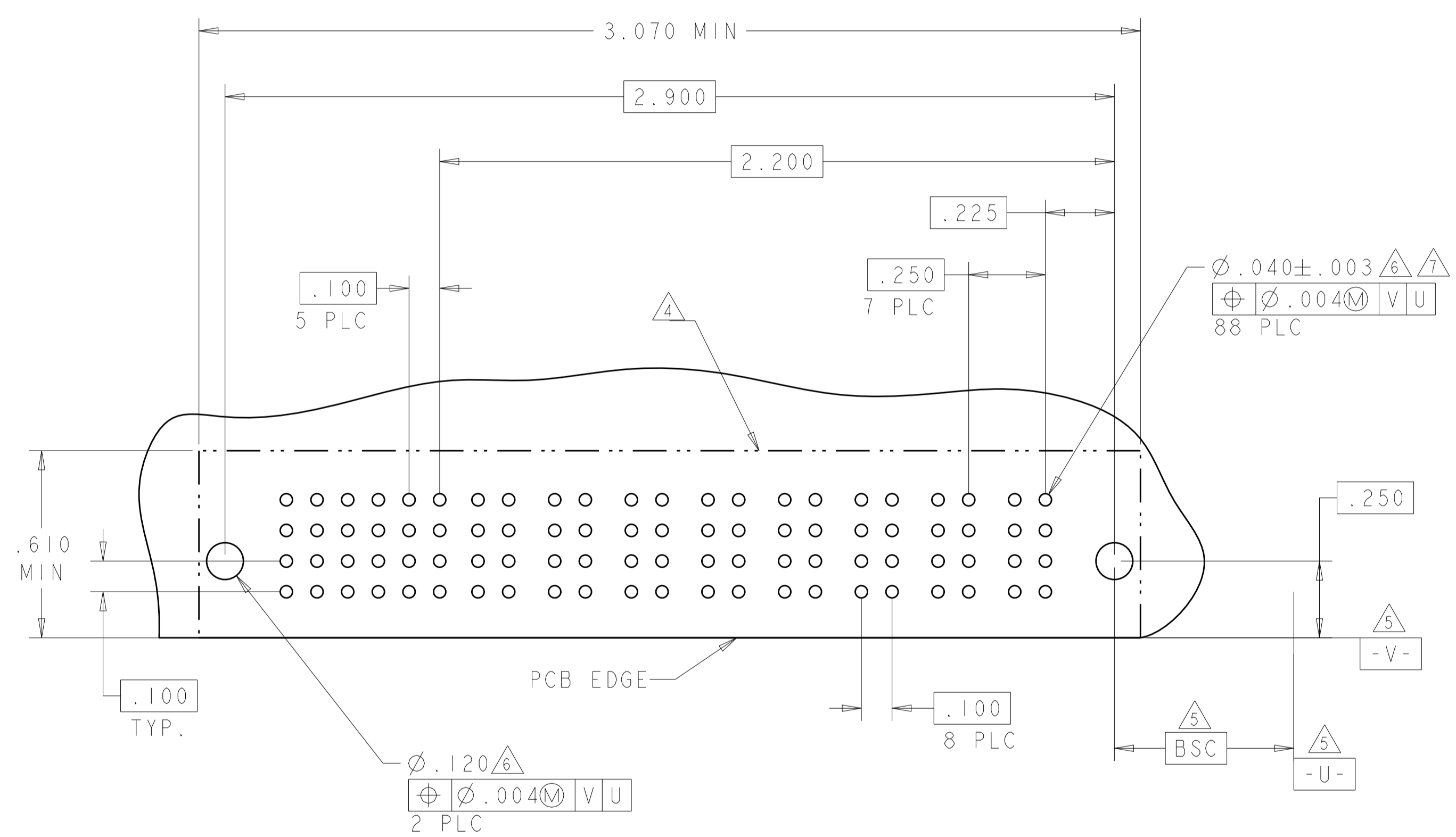
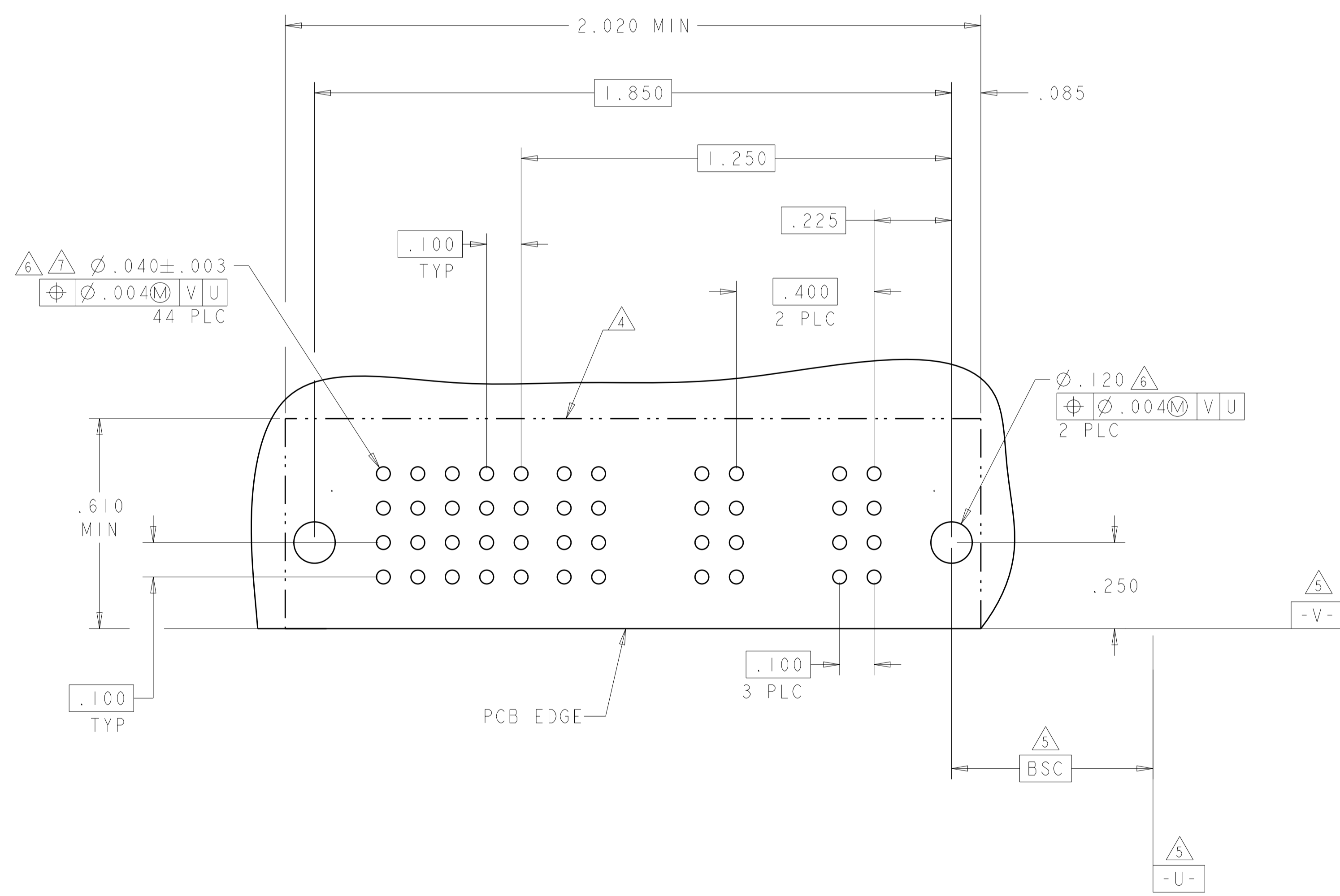
5HDP + 20S

NO CONTACTS LOADED

PART NUMBER	ROWS	SIGNAL					POWER								
		6	5	4	3	2	1	P8	P7	P6	P5	P4	P3	P2	P1
I-6450872-5	D	H	H	H	H	H	RM	RM	RM	RM	RM	RM	RM	RM	RM
	C	G	G	G	G	G									
	B	F	F	F	F	F									
	A	E	E	E	E	E									

8HDP + 24S

(C1)



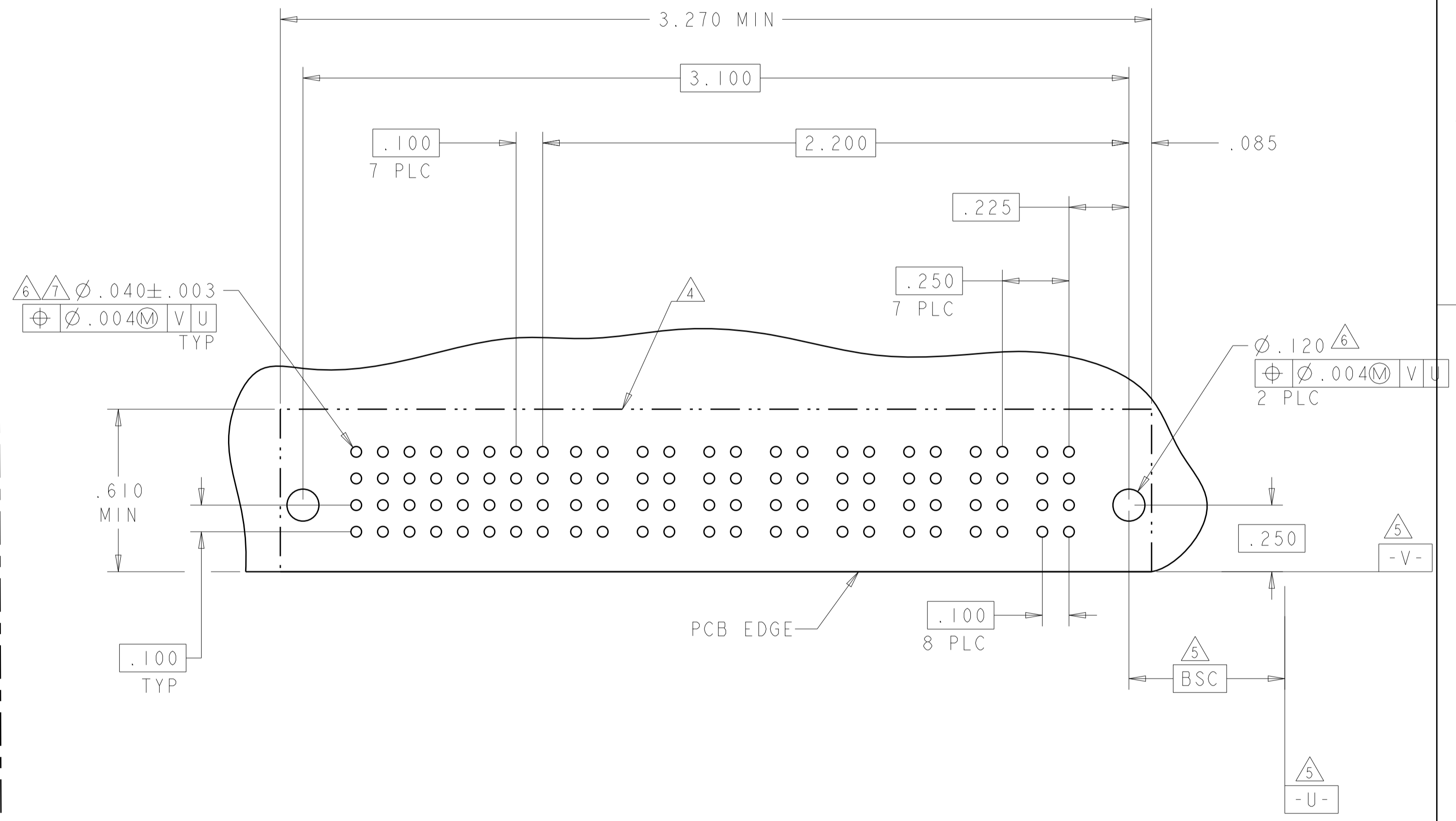
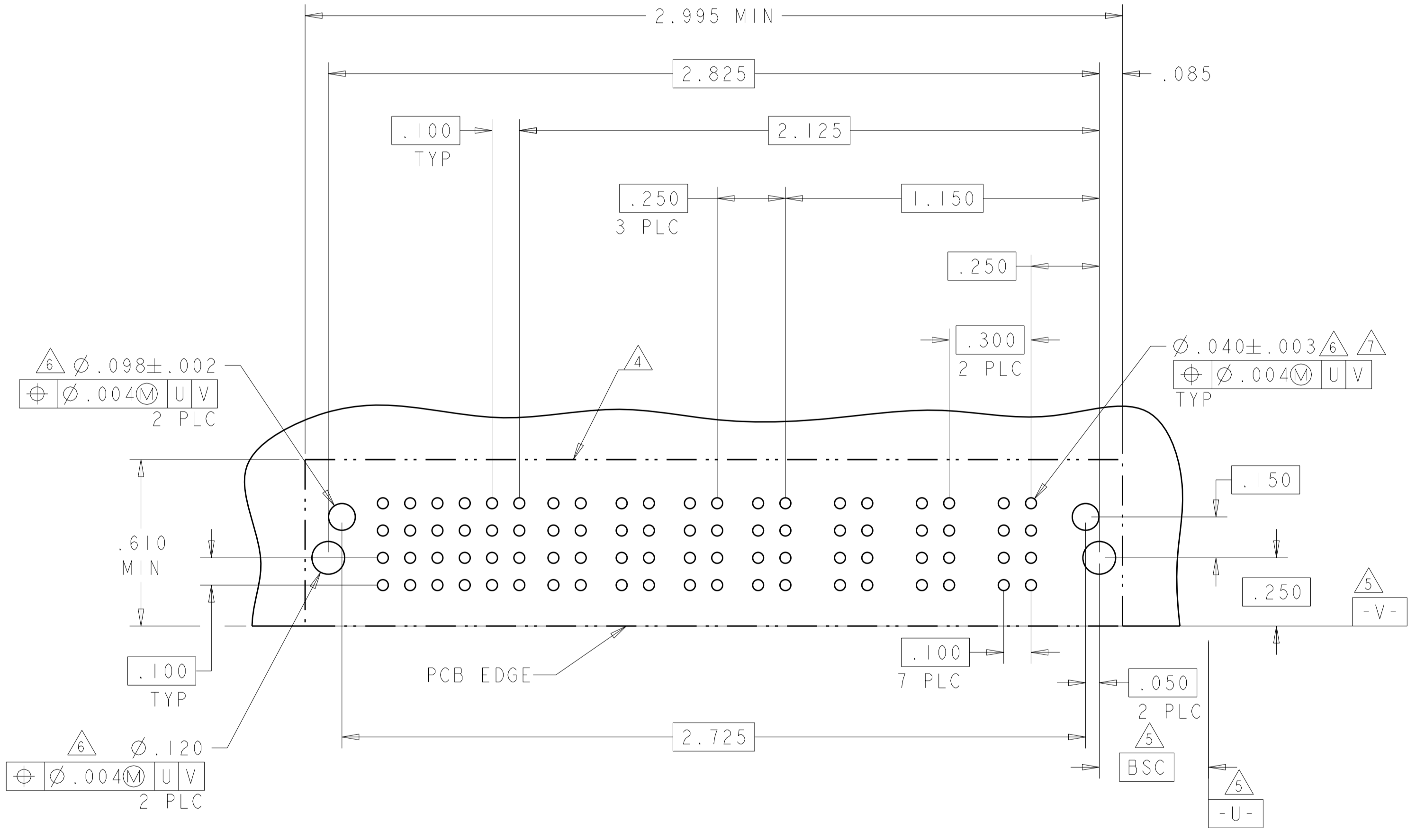
THIS DRAWING IS A CONTROLLED DOCUMENT.		OWN: C. ZHOU 06FEB2009	 TE Connectivity
DIMENSIONS: INCHES(MM)		CHK: S. ZHAO 06FEB2009	
TOLERANCES UNLESS OTHERWISE SPECIFIED:		APVD: S. ZHAO 06FEB2009	NAME: RIGHT ANGLE RECEPTACLE WITH LP AND SHORT END MODULAR MULTI-BEAM XLE
0 PLC ±.01		PRODUCT SPEC: 108-2292	SIZE: A100779
1 PLC ±.01		APPLICATION SPEC: 114-13251	CAGE CODE: 6450872
2 PLC ±.005		WEIGHT: -	RESTRICTED TO: -
3 PLC ±.0020		CUSTOMER DRAWING	SCALE: 4:1
ANGLES ±.020			SHEET 9 OF 11
FINISH: #2			REV: D3

LOC	DIST	REV	DATE	BY	APPV
ES	00				
REVISIONS			DESCRIPTION	DATE	BY
			SEE SHEET 1		

PART NUMBER	ROWS	SIGNAL						POWER						
		6	5	4	3	2	1	P7	P6	P5	P4	P3	P2	P1
1-6450872-6	D C B A	H	H	H	H	H	H	RM	RM	RM	RM	RA	RM	RM
		G	G	G	G	G	G							
		F	F	F	F	F	F							
		E	E	E	E	E	E							
3ACP + 4P + 24S														

$\begin{matrix} \triangle 8 \\ .250 \\ 3 \text{ PLC} \end{matrix}$
 $\begin{matrix} \triangle 8 \\ .300 \\ 3 \text{ PLC} \end{matrix}$

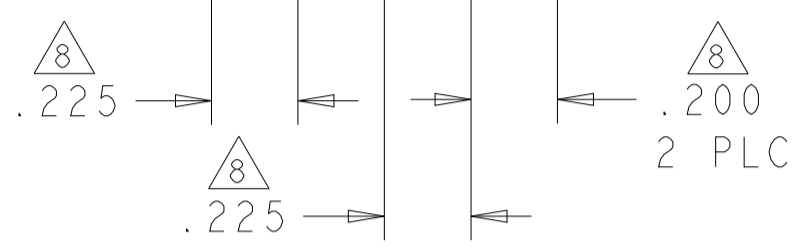
PART NUMBER	ROWS	SIGNAL								POWER							
		8	7	6	5	4	3	2	1	P8	P7	P6	P5	P4	P3	P2	P1
1-6450872-7	D C B A	H	H	H	H	H	H	H	H	RA	RM	RM	RM	RM	RM	RM	RM
		G	G	G	G	G	G	G	G								
		F	F	F	F	F	F	F	F								
		E	E	E	E	E	E	E	E								
8P + 32S																	



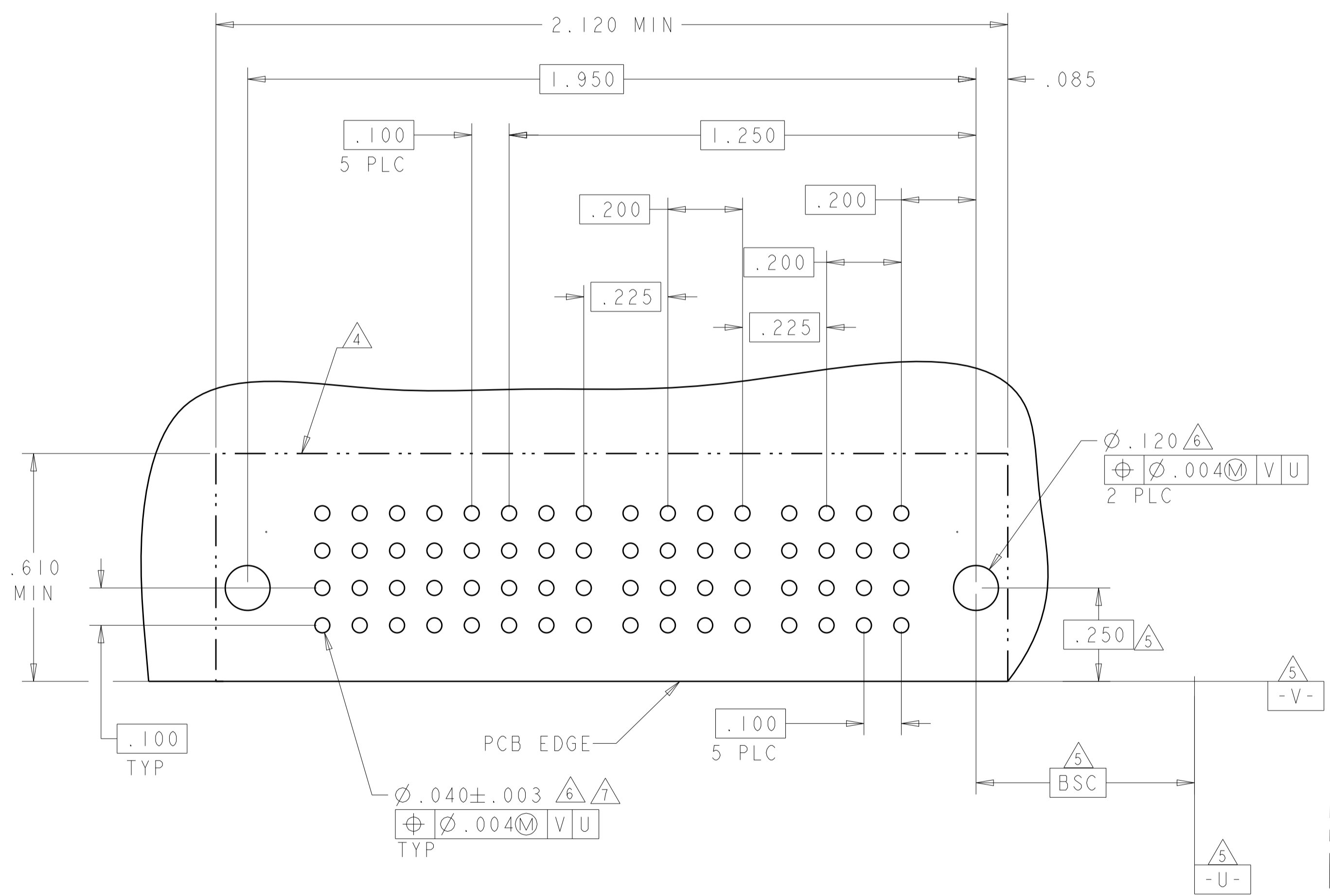
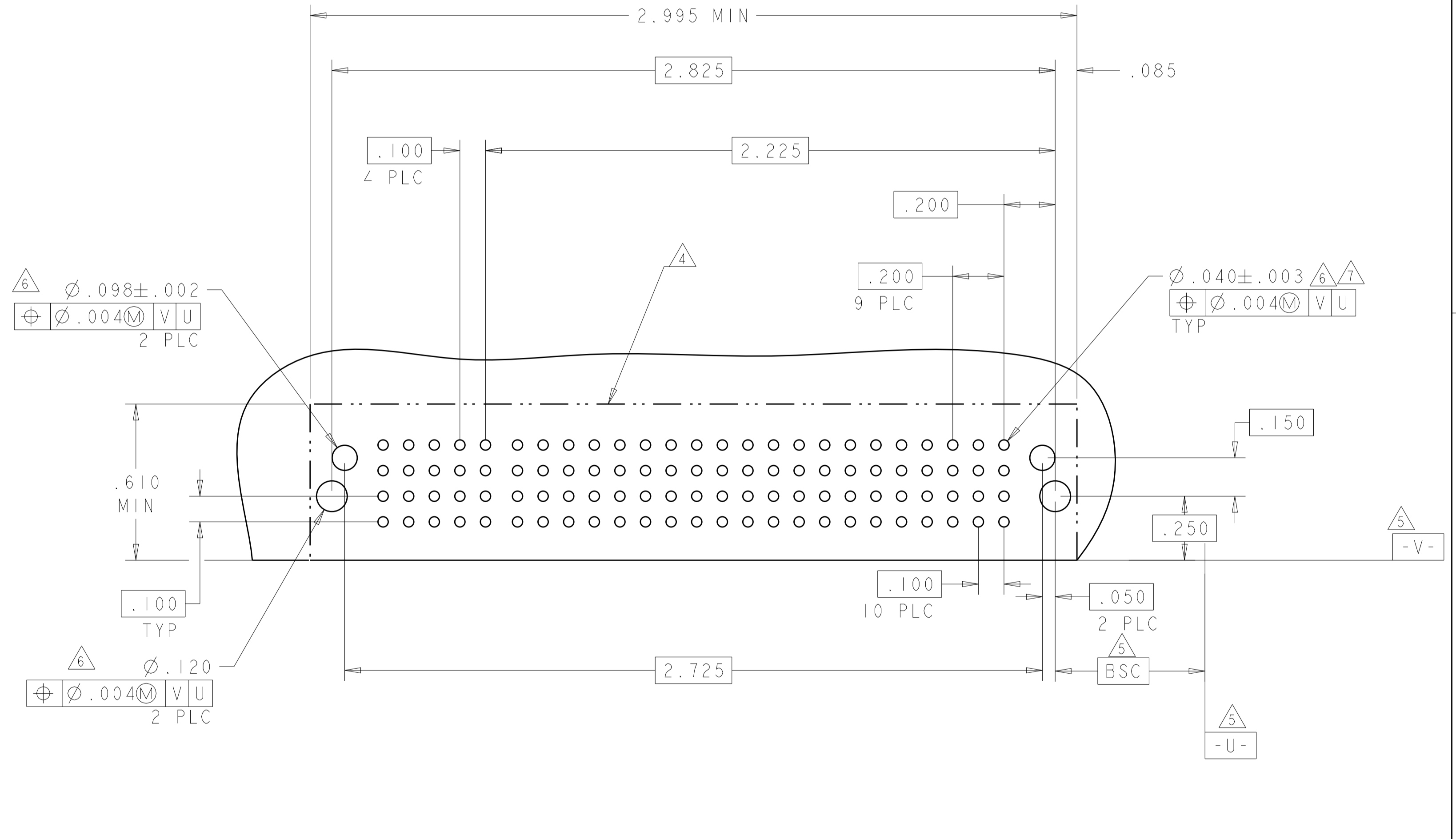
THIS DRAWING IS A CONTROLLED DOCUMENT.		OWN C. ZHOU 06FEB2009	 TE Connectivity
DIMENSIONS: INCHES(MM)		CHK S. ZHAO 06FEB2009	
TOLERANCES UNLESS OTHERWISE SPECIFIED:		APVD S. ZHAO 06FEB2009	NAME
0 PLC ±		PRODUCT SPEC	RIGHT ANGLE RECEPTACLE WITH LP AND SHORT END MODULAR MULTI-BEAM XLE
1 PLC ±.01		APPLICATION SPEC	
2 PLC ±.005		114-13251	
3 PLC ±.0020		WEIGHT	
4 PLC ±.0020		CUSTOMER DRAWING	
ANGLES ±.2°		SCALE 4:1	
FINISH		SHEET 10 OF 11	
		REV D.3	

LOC	DIST	REV	DATE	BY	APPV
ES	00				
REVISIONS			DESCRIPTION	DATE	BY
			SEE SHEET 1		

PART NUMBER	ROWS	SIGNAL					POWER				
		6	5	4	3	2	1	P5	P4	P3	P2
1-6450872-8	D	H	H	H	H	H	RM	RM	RM	RM	RM
	C	G	G	G	G	G					
	B	F	F	F	F	F					
	A	E	E	E	E	E					
5HDP + 24S		HD					HD				



PART NUMBER	ROWS	SIGNAL					POWER									
		5	4	3	2	1	P10	P9	P8	P7	P6	P5	P4	P3	P2	P1
1-6450872-9	D	H	H	H	H	H	RM	RM	RM	RM	RM	RM	RM	RM	RM	RM
	C	G	G	G	G	G										
	B	F	F	F	F	F										
	A	E	E	E	E	E										
10HDP + 20S		HD					HD									



THIS DRAWING IS A CONTROLLED DOCUMENT.		OWN: C. ZHOU 06FEB2009		TE Connectivity
DIMENSIONS: INCHES(MM)		CHK: S. ZHAO 06FEB2009		NAME: RIGHT ANGLE RECEPTACLE WITH LP AND SHORT END MODULAR MULTI-BEAM XLE
TOLERANCES UNLESS OTHERWISE SPECIFIED:		APVD: S. ZHAO 06FEB2009	PRODUCT SPEC: 108-2292	
0 PLC ±.01		APPLICATION SPEC: 114-13251		
1 PLC ±.01		SIZE: A100779C=6450872		
2 PLC ±.01		SCALE: 4:1 SHEET 11 OF 11 REV D3		
3 PLC ±.005		RESTRICTED TO:		
4 PLC ±.0020		CUSTOMER DRAWING		
ANGLES ±.2°		DATE: 06FEB2009		
FINISH		WEIGHT: -		