



Connectors > Automotive Connectors > Automotive Connector Accessories > Other Automotive Connector Accessories >

LEAVYSEAL Mounting Accessories



Automotive Connector Accessory Type: **Alignment Plate**

Primary Product Material: **PBT GF**

Primary Product Color: **Black**

Number of Positions: **39, 62**

Operating Temperature Range: **-40 – 120 °C [-40 – 248 °F]**

[All LEAVYSEAL Mounting Accessories \(8\)](#)

## Features

### Product Type Features

Automotive Connector Accessory Type	Alignment Plate
-------------------------------------	-----------------

### Configuration Features

Number of Positions	39, 62
---------------------	--------

### Body Features

Primary Product Material	PBT GF
--------------------------	--------

Primary Product Color	Black
-----------------------	-------

### Usage Conditions

Operating Temperature Range	-40 – 120 °C[-40 – 248 °F]
-----------------------------	----------------------------

### Industry Standards

UL Flammability Rating	UL 94HB
------------------------	---------

### Packaging Features

Packaging Quantity	120
--------------------	-----



Packaging Method	Box
<b>Other</b>	
Serviceable	Yes

### Product Compliance

[For compliance documentation, visit the product page on TE.com>](#)

EU RoHS Directive 2011/65/EU	Compliant
EU ELV Directive 2000/53/EC	Compliant
China RoHS 2 Directive MIIT Order No 32, 2016	No Restricted Materials Above Threshold
EU REACH Regulation (EC) No. 1907/2006	Current ECHA Candidate List: JUNE 2023 (235) Candidate List Declared Against: JUNE 2023 (235) Does not contain REACH SVHC
Halogen Content	Low Halogen - Br, Cl, F, I < 900 ppm per homogenous material. Also BFR/CFR/PVC Free
Solder Process Capability	Not applicable for solder process capability

#### Product Compliance Disclaimer

This information is provided based on reasonable inquiry of our suppliers and represents our current actual knowledge based on the information they provided. This information is subject to change. The part numbers that TE has identified as EU RoHS compliant have a maximum concentration of 0.1% by weight in homogenous materials for lead, hexavalent chromium, mercury, PBB, PBDE, DBP, BBP, DEHP, DIBP, and 0.01% for cadmium, or qualify for an exemption to these limits as defined in the Annexes of Directive 2011/65/EU (RoHS2). Finished electrical and electronic equipment products will be CE marked as required by Directive 2011/65/EU. Components may not be CE marked. Additionally, the part numbers that TE has identified as EU ELV compliant have a maximum concentration of 0.1% by weight in homogenous materials for lead, hexavalent chromium, and mercury, and 0.01% for cadmium, or qualify for an exemption to these limits as defined in the Annexes of Directive 2000/53/EC (ELV). Regarding the REACH Regulation, the information TE provides on SVHC in articles for this part number is based on the latest European Chemicals Agency (ECHA) 'Guidance on requirements for substances in articles' posted at this URL: <https://echa.europa.eu/guidance-documents/guidance-on-reach>

### Compatible Parts



### Also in the Series | LEAVYSEAL



Automotive Connector Caps & Covers (17)



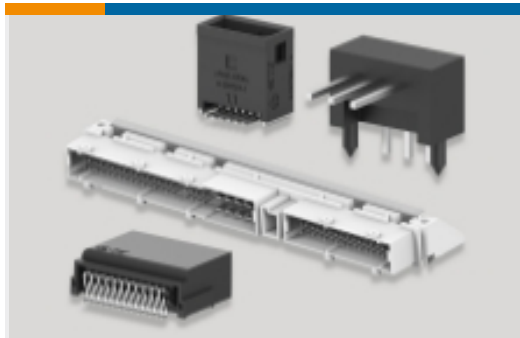
Automotive Housings(73)



Insertion & Extraction Tools(5)

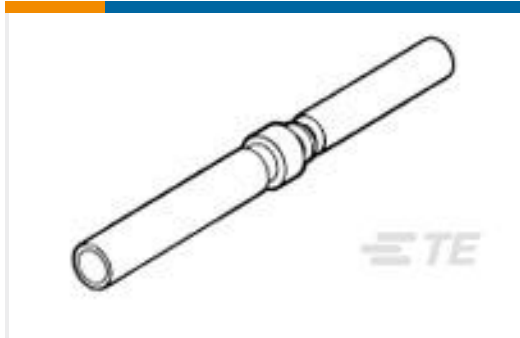


Other Automotive Connector Accessories(15)



PCB Headers & Receptacles(16)

### Customers Also Bought



TE Part #206071-1  
SZ 22, SOCKET, NON-MAG



TE Part #5748642-1  
KIT,RCPT,62P,HDP-22,SHLD ENCLS



TE Part #1718329-1  
ADAPTER FOR TAB HSG 39 POS,62P



TE Part #1-1718324-1  
1.5/2.8MM TAB HSG.,62POS.,ASSY



TE Part #1-1414552-0  
V23136A1001X057-EV-CBOX



TE Part #87805-000  
PSS-X1379B WITH BRACKET



TE Part #10218545-00  
PSS-X1541A, VANE SENSOR



TE Part #K1157198-4  
Toggle Switch 07-2-2-10 939 CV750



TE Part #10209416-00  
PRESS XDCR U5244-000005-.14BG



## Documents

### Product Drawings

[ADAPTER,FOR TAB HOUSING,ASSY](#)

English

---

### CAD Files

[3D PDF](#)

3D

Customer View Model

[ENG\\_CVM\\_CVM\\_2236721-1\\_A\\_c-2236721-1-a.2d\\_dxf.zip](#)

English

Customer View Model

[ENG\\_CVM\\_CVM\\_2236721-1\\_A\\_c-2236721-1-a.3d\\_igs.zip](#)

English

Customer View Model

[ENG\\_CVM\\_CVM\\_2236721-1\\_A\\_c-2236721-1-a.3d\\_stp.zip](#)

English

By downloading the CAD file I accept and agree to the [Terms and Conditions](#) of use.

---

### Datasheets & Catalog Pages

[CONNECTOR SELECTOR](#)

English

---

### Product Specifications

[Application Specification](#)

German