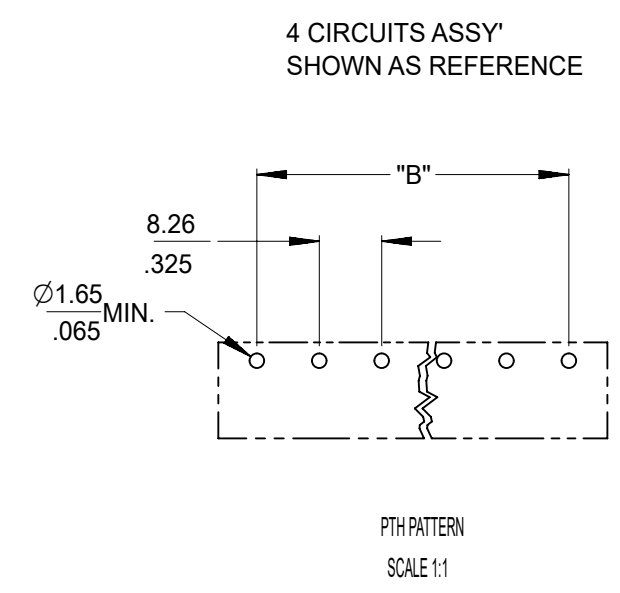
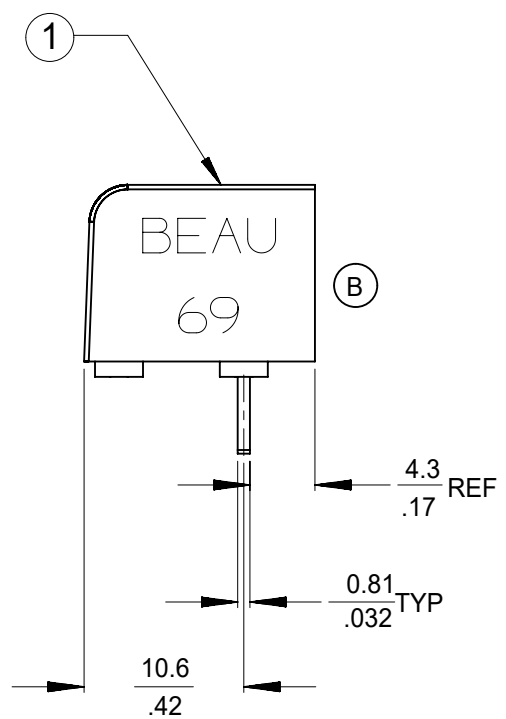
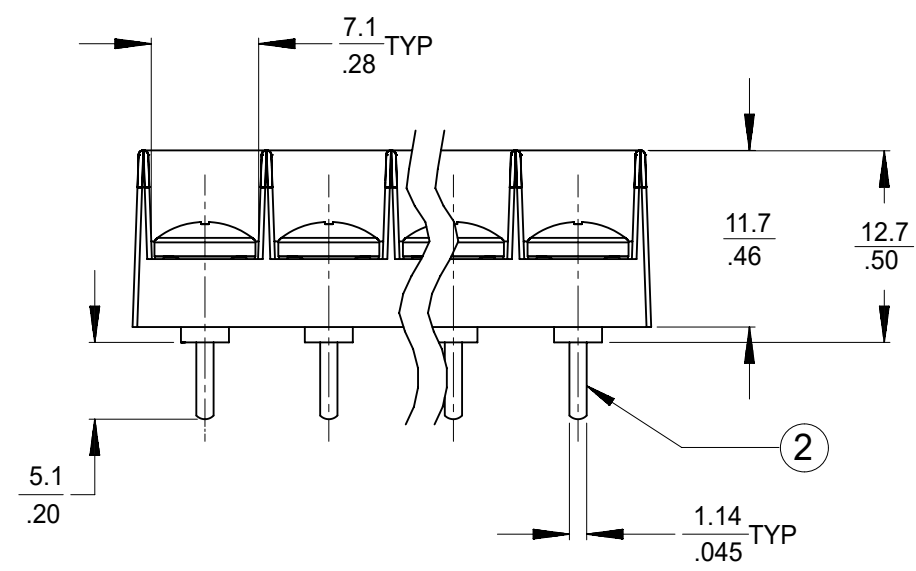
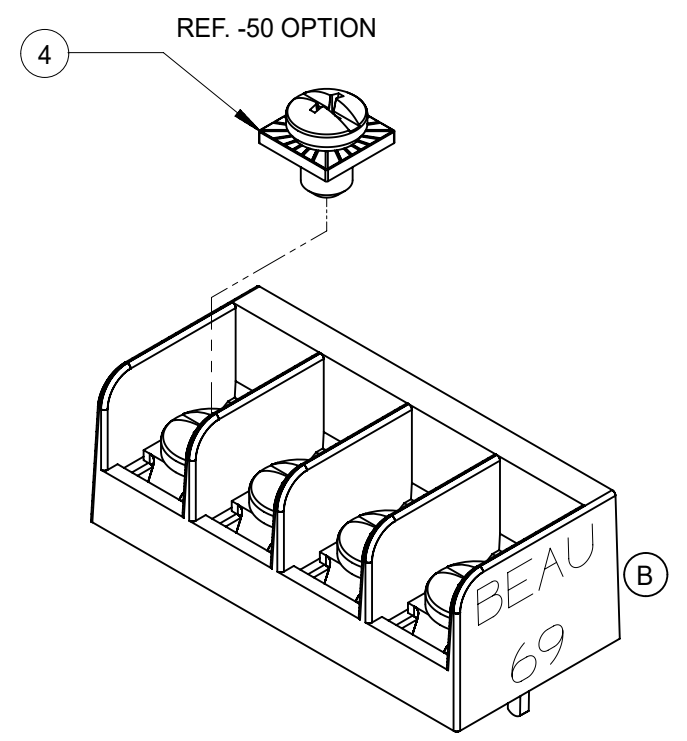
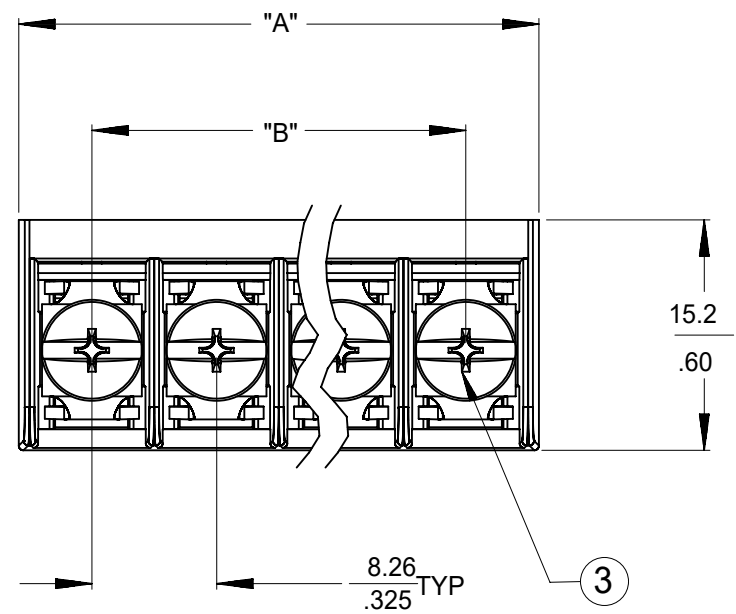


NO. OF CIRCUITS	DIM. "A"		DIM. "B"		ASSEMBLY MATERIAL NO. (STANDARD)	ASSEMBLY MATERIAL NO. (-50 OPT)
	mm	in	mm	in		
02	17.9	.71	8.3	.33		386907802
03	26.2	1.03	16.5	.65		386907803
04	34.4	1.36	24.8	.98		386907804
06	50.9	2.01	41.3	1.63		386907806
08	67.4	2.66	57.8	2.28		386907808
09	75.7	2.98	66.0	2.60		386907809
14	117.0	4.61	107.3	4.23	386906614	
15	125.2	4.93	115.6	4.55		386907815
16	133.5	5.26	123.8	4.88		386907816



- NOTES:
 1. MATERIAL: SEE TABLE
 2. FINISHES: SEE TABLE.
 3. "XX" REFERS TO THE QUANTITY OF CIRCUITS.
 4. ROHS COMPLIANT.

ITEM	QTY.	DESCRIPTION	MATERIAL	FINISH
4	XX	SCREW #6-32X.155 PAN PHSLZN/BR/STEEL -50 OPT	STEEL	ZN, CLEAR CHROMATE
3	XX	SCREW #6-32X.160 PAN PHSLNI/BRASS (STANDARD)	BRASS	NICKEL PLATE
2	XX	TERMINAL, PC	BRASS	TIN PLATE
1	1	INSULATOR	POLYESTER (PBT)	BLACK

THIS DRAWING CONTAINS INFORMATION THAT IS PROPRIETARY TO MOLEX ELECTRONIC TECHNOLOGIES, LLC AND SHOULD NOT BE USED WITHOUT WRITTEN PERMISSION

DIMENSION UNITS MM/IN	SCALE 2:1	CURRENT REV DESC: OBSOLETE PART NUMBERS AS PER PCN#510807	molex		
GENERAL TOLERANCES (UNLESS SPECIFIED)					
4 PLACES ±			8.26/.325 SR TRI-BARRIER TERMINAL STRIP CS, PC ASSY		
3 PLACES ±			PRODUCT CUSTOMER DRAWING		
2 PLACES ± 0.13	± 0.01		DOCUMENT NUMBER		
1 PLACE ± 0.3	±		SD-38690-001		
0 PLACES ±	±		DOC TYPE	DOC PART	REVISION
ANGULAR TOL ± 2.0°			PSD	001	B1
DRAFT WHERE APPLICABLE MUST REMAIN WITHIN DIMENSIONS	THIRD ANGLE PROJECTION	DRAWING	SERIES	MATERIAL NUMBER	CUSTOMER
		B-SIZE	38690	SEE CHART	GENERAL MARKET
					SHEET NUMBER
					1 OF 1