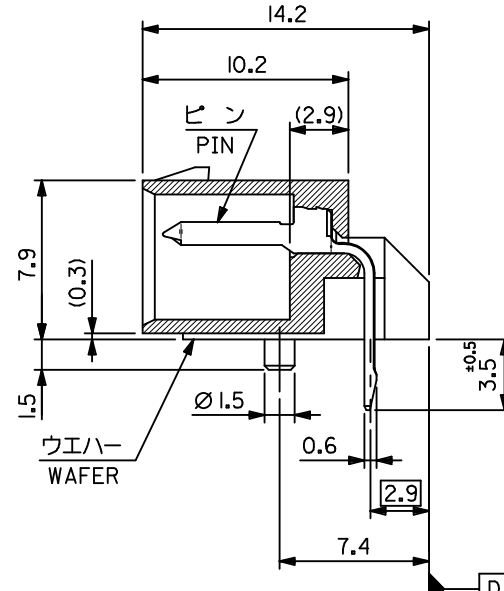
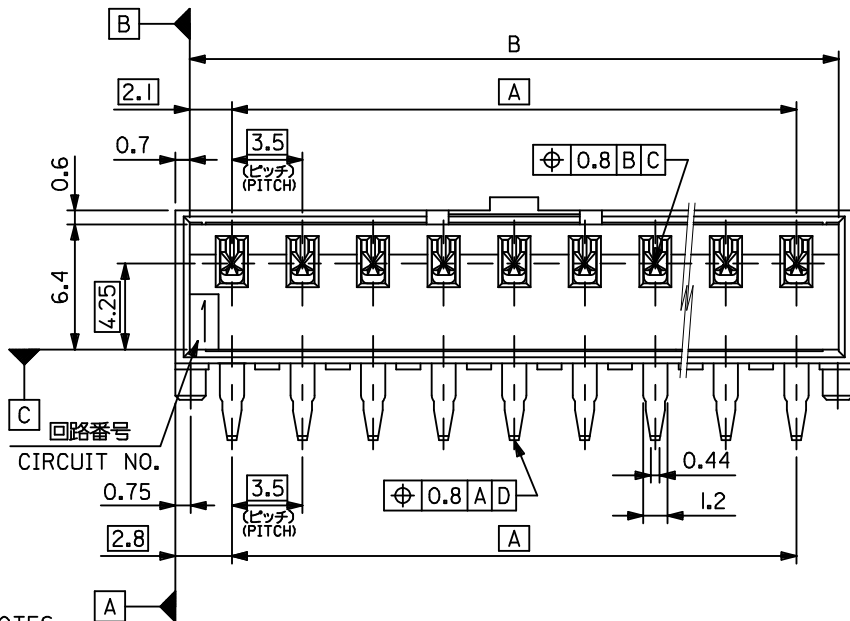


基板取付穴推奨寸法 (参考) (t=1.6)
RECOMMENDED P.C. BOARD HOLE DIM. (REF.)



注記 NOTES

1. 嵌合相手 : 51067 シリーズ
MATE WITH : 51067 SERIES

2. 材質
MATERIAL
ウエハー : PBTP (ガラス15%入り)、UL94V-0
WAFER : PBTP (G.F 15%), UL94V-0
ピン : [黄銅、半田メッキ (t=0.254)]
PIN : [BRASS, SOLDER PLATED (t=0.254)]

6.1	9.1	7.7	3.5	53259-0220	2
(D)	C	B	A	ENG. NO.	CKT. 種数

REVISED EC NO: J2014-1611 DRWN:TYAJIMA01 2014/05/27 CHKD:KASAKAWA 2014/05/30 APPR:NUKITA 2014/05/30	GENERAL TOLERANCES (UNLESS SPECIFIED)		DIMENSION STYLE MM ONLY		SCALE ---	DESIGN UNITS METRIC	THIRD ANGLE PROJECTION
	10 UNDER	±0.2	DRAWN BY TYAJIMA01	DATE 2013/12/25	TITLE 3.5 W/B CONN WAFER ASSY R/A		
	10 OVER 30 UNDER	±0.25	CHECKED BY KASAKAWA	DATE 2013/12/25			
	30 OVER	±0.3	APPROVED BY NUKITA	DATE 2014/01/07			
ANGULAR	±3 °	MATERIAL NO. SEE CHART		DOCUMENT NO. SD-53259-006	SHEET NO. 1 OF 1		
DRAFT WHERE APPLICABLE MUST REMAIN WITHIN DIMENSIONS		THIS DRAWING CONTAINS INFORMATION THAT IS PROPRIETARY TO MOLEX INCORPORATED AND SHOULD NOT BE USED WITHOUT WRITTEN PERMISSION					