

4

3

2

1

ZONE	REV.	REVISION DESCRIPTION	ECN NO.	DATE

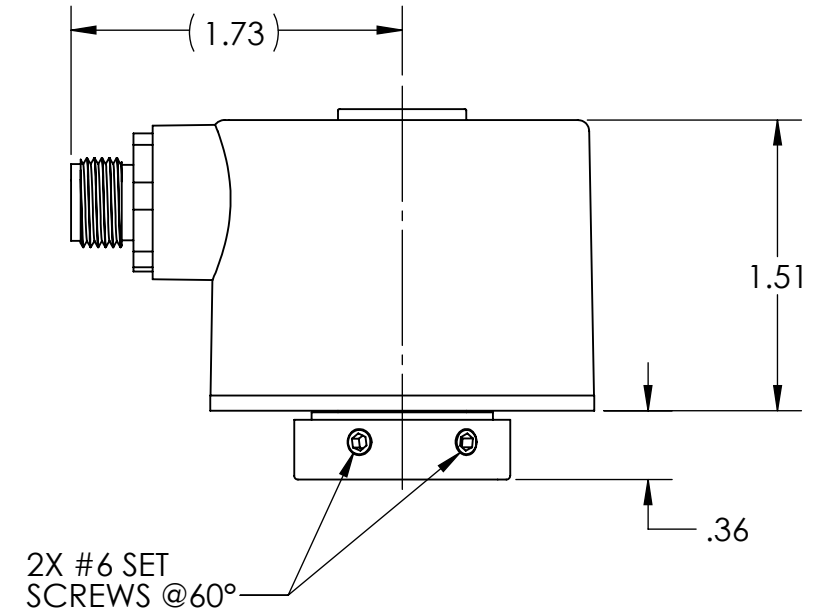
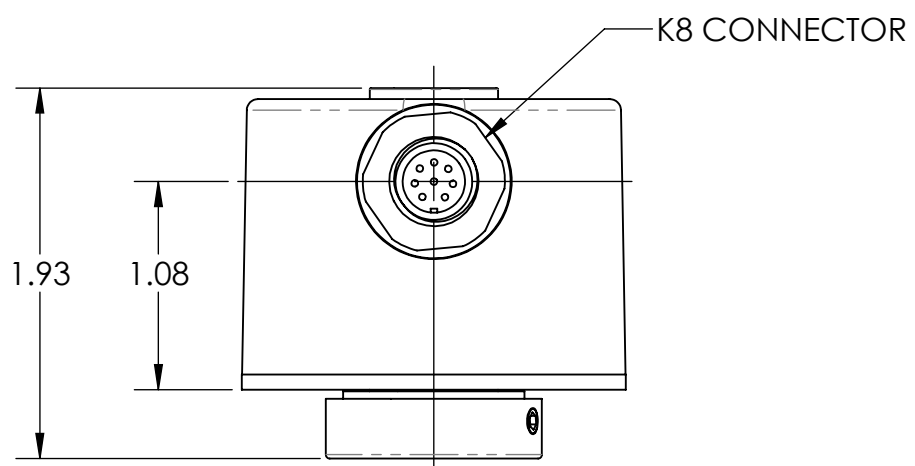
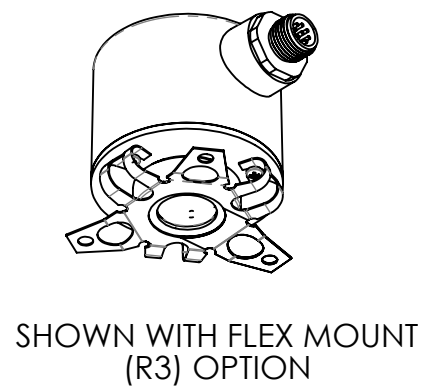
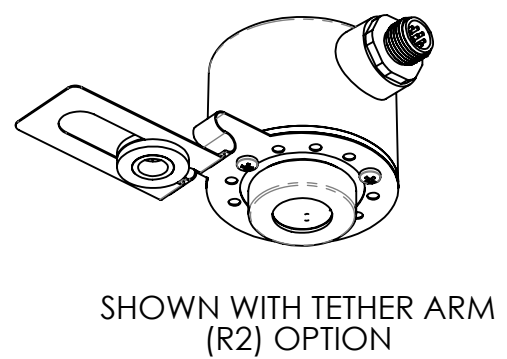
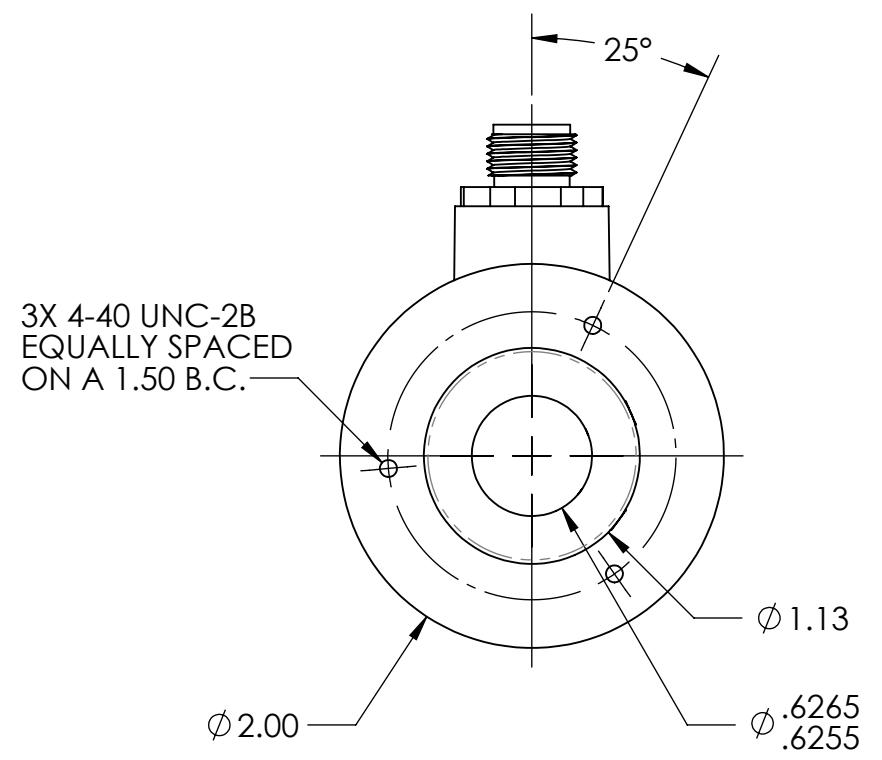


TABLE 1  
STANDARD CHANNEL PIN-OUT

PIN	FUNCTION
1	A
4	B
6	Z
2	+V
7	0V
3	A/
5	B/
8	Z/



SAMPLE MODEL NUMBER: HS20-62-R2-SS-1024-ABZC-28/V-K8

SAMPLE PART NUMBER: 01091-XXX

REFERENCE SPEC: 02354-001

UNCONTROLLED COPY

FIRST ISSUE DATE: 04/05/21  
 DRAWN: DRC  
 APPROVED:  
 DATE: 04/09/21  
*Mat Baginski*  
 ECN:  
 DATE:  
 MATERIAL:

SENSATA TECHNOLOGIES PROPRIETARY AND CONFIDENTIAL. NEITHER THIS PRINT NOR THE INFORMATION CONTAINED HEREON IS TO BE USED AGAINST THE INTERESTS OF SENSATA TECHNOLOGIES OR AGAINST THE INTERESTS OF ANY OF ITS AFFILIATED COMPANIES OR WHOLLY OWNED SUBSIDIARIES.

INTERPRET DIMENSIONING AND TOLERANCING PER ASME Y14.5-2009. UNLESS OTHERWISE SPECIFIED DIMENSIONS ARE IN INCHES [MILLIMETERS] AND ARE INTENDED AS NOMINAL SEE PRODUCT SPECIFICATIONS FOR MORE DETAILS.

DO NOT SCALE DRAWING  
 THIRD ANGLE PROJECTION

BEI SENSORS  
1461 LAWRENCE DRIVE  
THOUSAND OAKS, CA 93120

TITLE  
ENCODER, HS20 THRU SHAFT WITH K8 CONNECTOR

SIZE: B  
 DWG NO.: 09927-HS20-K8  
 REV.:

SCALE 1:1 SOLIDWORKS SHEET 1 OF 1

4

3

2

1

DEVICE: PROJECT: