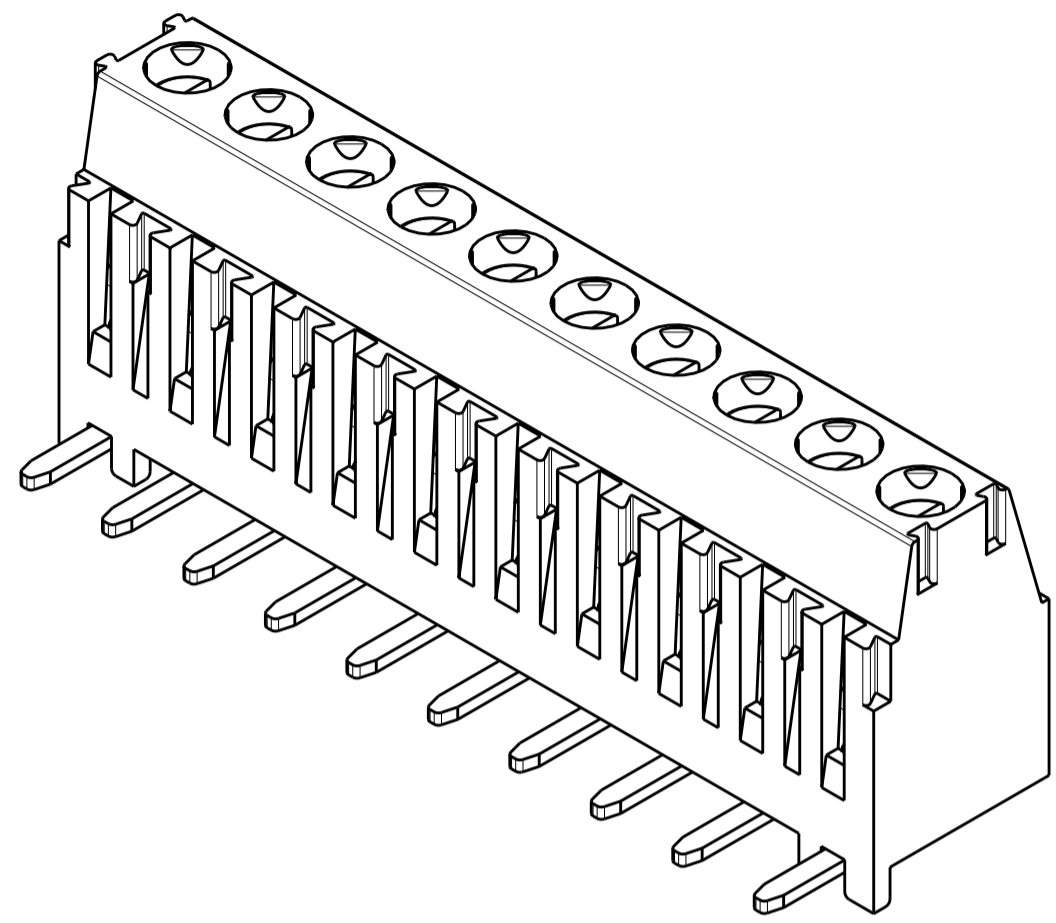
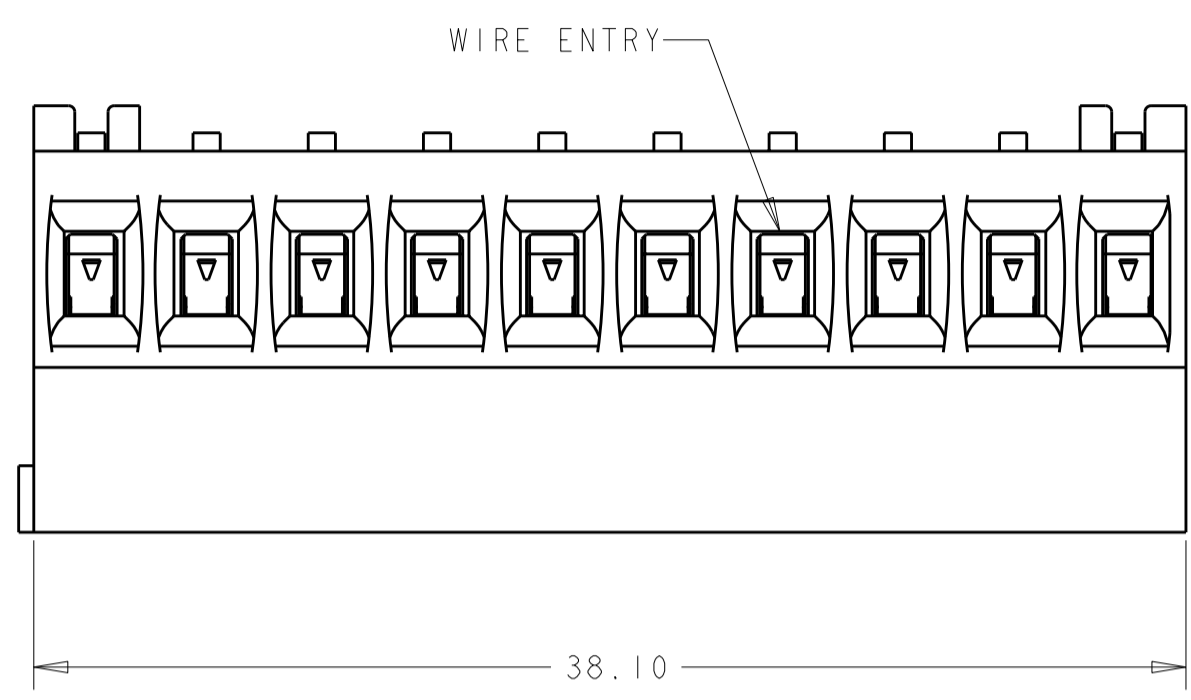
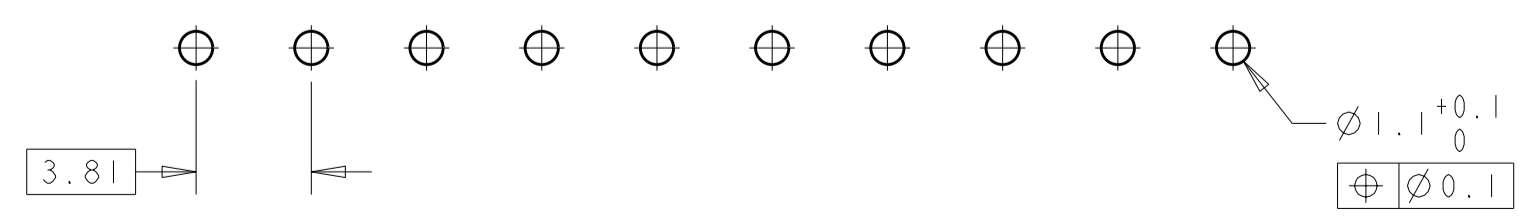
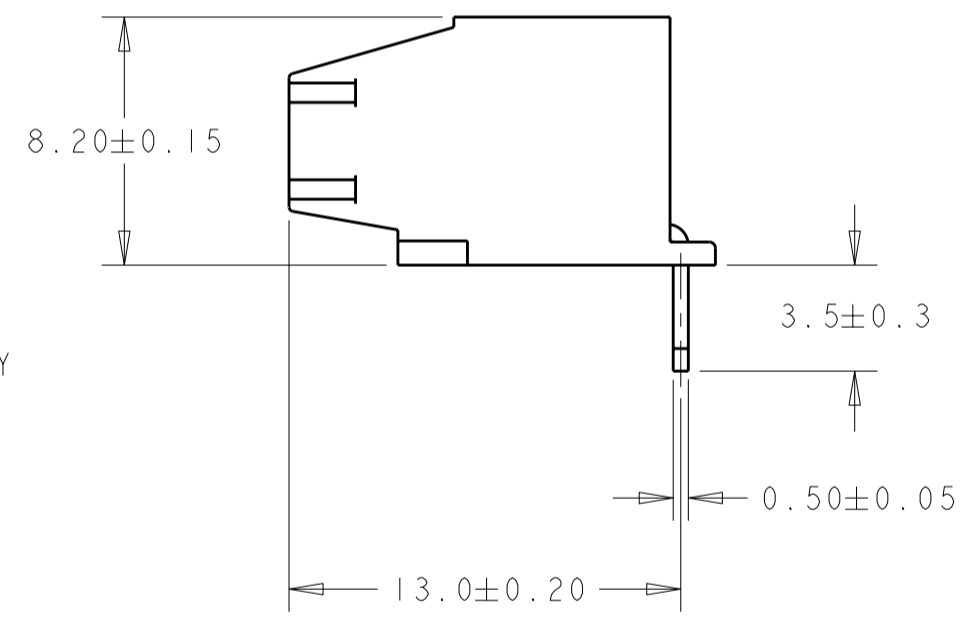
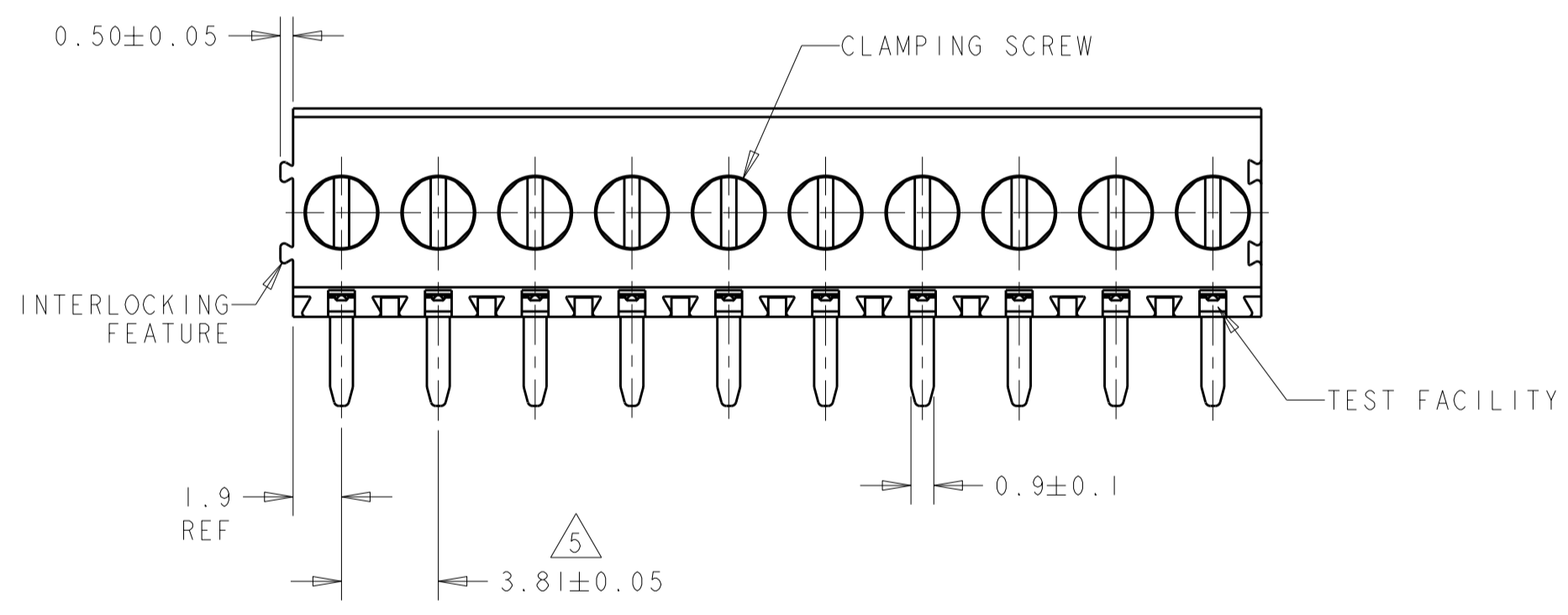


THIS DRAWING IS UNPUBLISHED. RELEASED FOR PUBLICATION 20  
 © COPYRIGHT 20 BY TYCO ELECTRONICS CORPORATION. ALL RIGHTS RESERVED.

LOC	DIST	REVISIONS			
P	LTR	DESCRIPTION	DATE	DWN	APVD
		I PRELIMINARY	12SEP2006	SW	CR
		A RELEASED ECO-06-025847	06NOV2006	SW	CR



- 1 MATERIALS AND FINISH  
 HOUSING : PA 6/6, UL 94-V0, COLOR: BLACK.  
 CLAMP : BRASS, NICKEL PLATED  
 TERMINAL : BRASS, TIN PLATED  
 CLAMPING SCREW : M3, BRASS, NICKEL PLATED
- 2. SUITABLE FOR 1.6-2.4 mm. PCB BOARD THICKNESS.
- 3. END-TO-END STACKABLE W/INTERLOCK WITHOUT LOSS OF CENTERLINE SPACING
- 4. WIRE SIZE RANGE: 12 - 30 AWG
- 5 NOT CUMULATIVE TOLERANCE



RECOMMENDED PC BOARD LAYOUT

10	1-1776857-0
NO OF POSN	PART NUMBER

THIS DRAWING IS A CONTROLLED DOCUMENT FOR TYCO ELECTRONICS CORPORATION IT IS SUBJECT TO CHANGE AND THE CONTROLLING ENGINEERING ORGANIZATION SHOULD BE CONTACTED FOR THE LATEST REVISION.		DWN S.WELDON 12SEP2006	<b>BUCHANAN</b> Tyco Electronics Harrisburg, PA 17105-3608
DIMENSIONS: mm		CHK C.RICHARD 12SEP2006	
TOLERANCES UNLESS OTHERWISE SPECIFIED:		APVD C.RICHARD 12SEP2006	
0 PLC ±- 1 PLC ±.3 2 PLC ±.25 3 PLC ±- 4 PLC ±- ANGLES ±2 FINISH		PRODUCT SPEC 108-20166 APPLICATION SPEC 114-20079 WEIGHT - CUSTOMER DRAWING	
NAME TERMINAL BLOCK ASSEMBLY, TOP ENTRY WIRE, STACKING, 90 DEGREE, PCB MOUNT, W/INTERLOCK, 3.81mm PITCH		SIZE A2 CAGE CODE 00779 DRAWING NO C-1776857	RESTRICTED TO -
SCALE 4:1		SHEET 1 OF 1	REV A