

THIS DRAWING IS UNPUBLISHED. RELEASED FOR PUBLICATION
 © COPYRIGHT - By - ALL RIGHTS RESERVED.

REVISIONS				
P	LTR	DESCRIPTION	DATE	APVD
B		PANEL MOUNTING HOLES CHANGED	23JUN16	FP NG

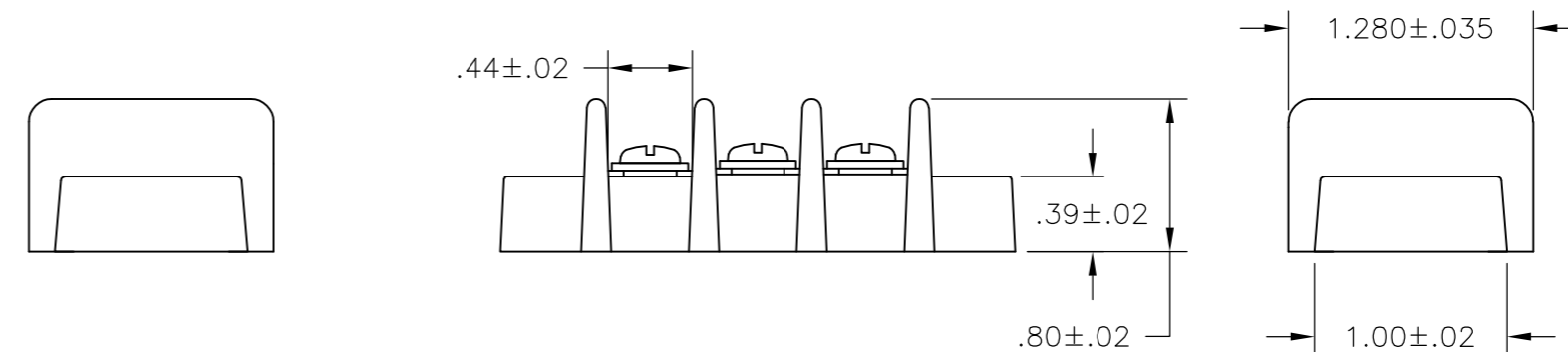
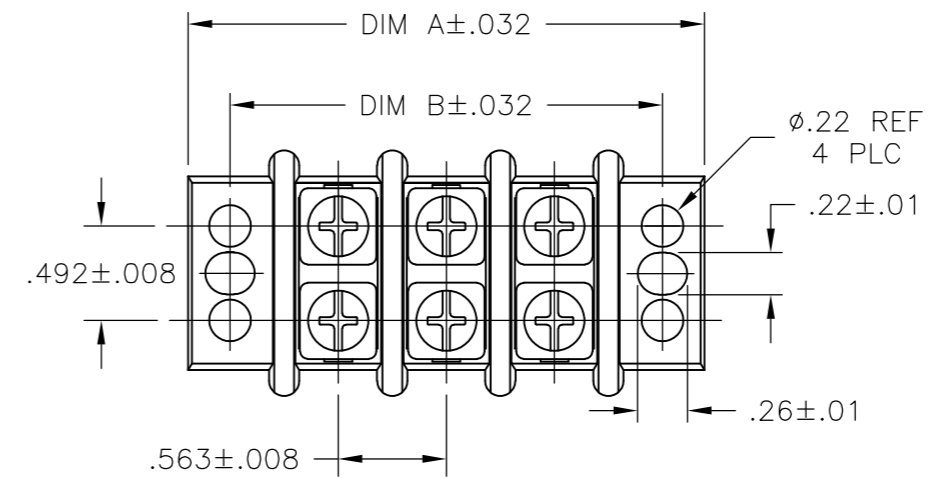
NOTES
 PHYSICAL PROPERTIES:
 HOUSING MATERIAL: PBT
 FLAMMABILITY: UL94V-0
 COLOR: BLACK
 MAX BOW/WARP: .0056 IN/IN.

TERMINAL:
 TERMINALS: BRASS, TIN PLATED. (UNLESS OTHERWISE STATED)
 SCREWS: 8-32 STEEL, NICKEL PLATED. (UNLESS OTHERWISE STATED)
 Q.C. TABS: BRASS, NICKEL PLATED.

MECHANICAL:
 PITCH (TERMINAL SPACING): .563"
 WIRE RANGE: 10-22 AWG
 RECOMMENDED TIGHTENING TORQUE: 14IN-LBS MAX.

ELECTRICAL PROPERTIES:
 MAXIMUM CURRENT: 30A
 OPERATING VOLTAGE: 600V

ENVIRONMENTAL PROPERTIES:
 OPERATING TEMP RANGE: -40° TO +120°C



-	-	-	-	-	-	-	-	-	10.701	11.138	18	1-1986158-8								
-	-	-	-	-	-	-	-	-	10.138	10.575	17	1-1986158-7								
-	-	-	-	-	-	-	-	-	9.575	10.012	16	1-1986158-6								
-	-	-	-	-	-	-	-	-	9.012	9.449	15	1-1986158-5								
-	-	-	-	-	-	-	-	-	8.449	8.886	14	1-1986158-4								
-	-	-	-	-	-	-	-	-	7.886	8.323	13	1-1986158-3								
-	-	-	-	-	-	-	-	-	7.323	7.760	12	1-1986158-2								
-	-	-	-	-	-	-	-	-	6.760	7.179	11	1-1986158-1								
-	-	-	-	-	-	-	-	-	6.197	6.634	10	1-1986158-0								
-	-	-	-	-	-	-	-	-	5.634	6.071	9	1986158-9								
-	-	-	-	-	-	-	-	-	5.071	5.508	8	1986158-8								
-	-	-	-	-	-	-	-	-	4.508	4.945	7	1986158-7								
-	-	-	-	-	-	-	-	-	3.945	4.382	6	1986158-6								
-	-	-	-	-	-	-	-	-	3.382	3.819	5	1986158-5								
-	-	-	-	-	-	-	-	-	2.819	3.256	4	1986158-4								
-	-	-	-	-	-	-	-	-	2.256	2.693	3	1986158-3								
-	-	-	-	-	-	-	-	-	1.693	2.130	2	1986158-2								
NOTES	8	.250 QC TAB 90° DOUBLE SIDE	7	.250 QC TAB 90°/45° DOUBLE SIDE	6	.250 QC TAB 90° DOUBLE SIDE	5	.250 QC TAB 45° DOUBLE SIDE	4	.250 QC TAB STRAIGHT DOUBLE SIDE	3	.250 QC TAB 90° SINGLE SIDE	2	.250 QC TAB 45° SINGLE SIDE	1	.250 QC TAB STRAIGHT SINGLE SIDE	DIM B	DIM A	NO. OF POSN	PART NUMBER

THIS DRAWING IS A CONTROLLED DOCUMENT.

DWN	S SCHLEGEL	3/6/07
CHK	S YODER	3/6/07
APVD	S YODER	3/6/07
PRODUCT SPEC		
APPLICATION SPEC		
WEIGHT	0.000000	
CUSTOMER DRAWING		

TE Connectivity
 14.3 (.563) DBL ROW BARRIER STRIP
 WASHER, 600v

SIZE	A2	CAGE CODE	00779	DRAWING NO	C=1986158	RESTRICTED TO	-
SCALE	NTS	SHEET	1 OF 1	REV	B		

1986158

A