

DO NOT SCALE DRAWING
DIMENSION IN METRIC

DWG. NO.
SD-35454-002

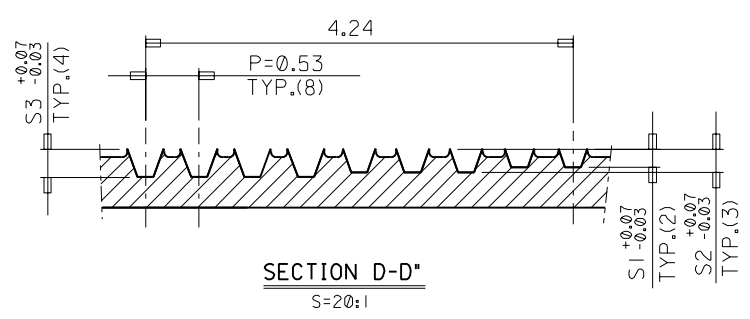
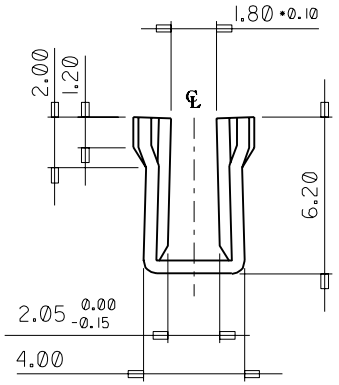
SIMILAR ITEM

PROJECT NO.

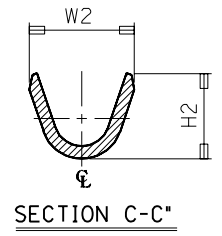
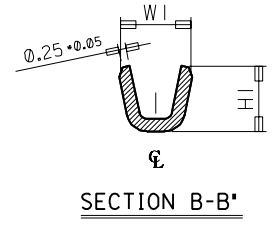
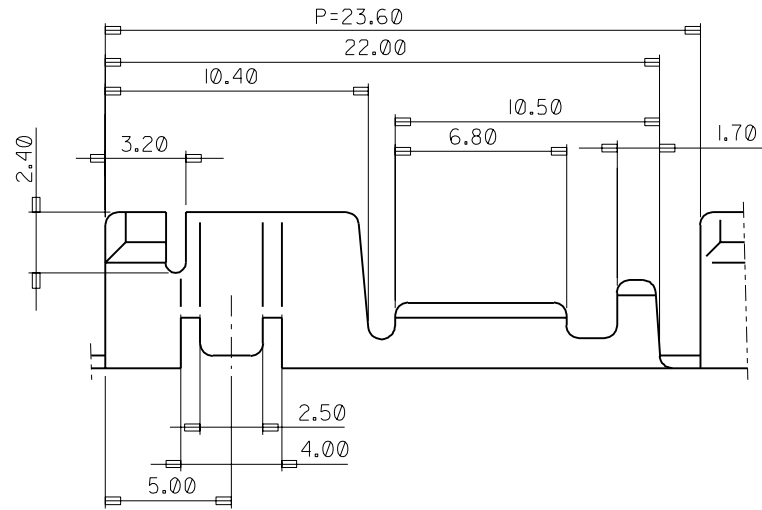
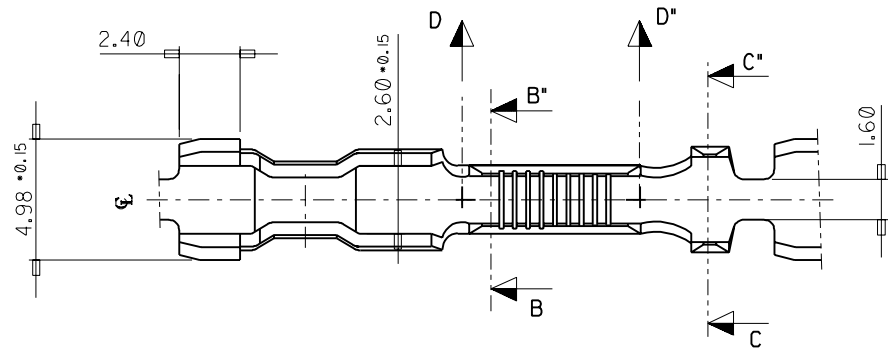
C

B

8 7 6 5 4 3 2 1



SECTION D-D'
S=20:1



- NOTES
- MATERIAL: PHOSPHER BRONZE
Ø.5mm THICK'
 - FINISH: POST TIN PLATING
 - MATED PIN DIA.: 2.29mm

| ENG.NO. | DIMENSION | | | | | | | WIRE RANGE CMA |
|------------|-----------|-----|-----|-----|------|------|------|-------------------|
| | W1 | H1 | W2 | H2 | S1 | S2 | S3 | |
| 35454-2702 | 2.7 | 2.6 | 4.2 | 3.6 | Ø.08 | Ø.13 | Ø.18 | 1600 400 |
| 35454-2902 | 3.4 | 4.0 | 5.1 | 4.2 | Ø.10 | Ø.15 | Ø.20 | 4200 1500 |

| | | | | | | | | | |
|---|-------------|-----------------|---|--|--|--|--|-----------------------------|---------------------|
| NEW RELEASED EC NO. KOR2002-0061 DRAWN: W.Y.YANG 02/01/11 CHK: ABP:R | DESCRIPTION | QUALITY SYMBOLS | GENERAL TOLERANCES: (UNLESS SPECIFIED) | SCALE 5:1 | DESIGN UNITS <input checked="" type="checkbox"/> mm <input type="checkbox"/> INCH | THIRD ANGLE PROJECTION | DIMENSIONS: <input type="checkbox"/> mm <input type="checkbox"/> INCH <input checked="" type="checkbox"/> mm ONLY | SHT | REV |
| | | MAJOR = Ø | mm | INCH | DRAWN BY & DATE W.Y.YANG 99/03/18 | TITLE: COMP TERMINAL-(S),(L) for 2.29 DIA PIN(MAGNET WIRE) | <input type="checkbox"/> mm <input type="checkbox"/> INCH | REVISE ON CAD ONLY | |
| A1 | REV | CRITICAL = C | 4 PLACES ± | ± | CHECKED BY & DATE B.K.CHOI 99/03/18 | MOLEX INCORPORATED | MATERIAL NO. SEE TABLE | DRAWING NO. SD-35454-002 | SHEET NO. 1 OF 1 |
| | | 2 PLACES ± | ± | APPROVED BY & DATE C.W.LEE 99/03/18 | SIZE B | | | | |
| | | | 1 PLACE ± | ± | CAD FILENAME S35454AB.DGN | THIS DRAWING CONTAINS INFORMATION THAT IS PROPRIETARY TO MOLEX INCORPORATED AND SHOULD NOT BE USED WITHOUT WRITTEN PERMISSION. | | MX-A3 | |