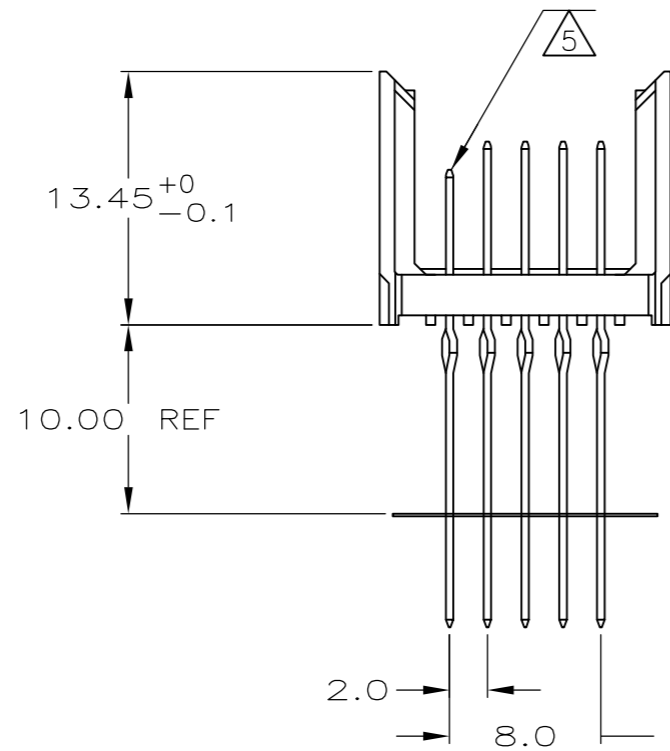
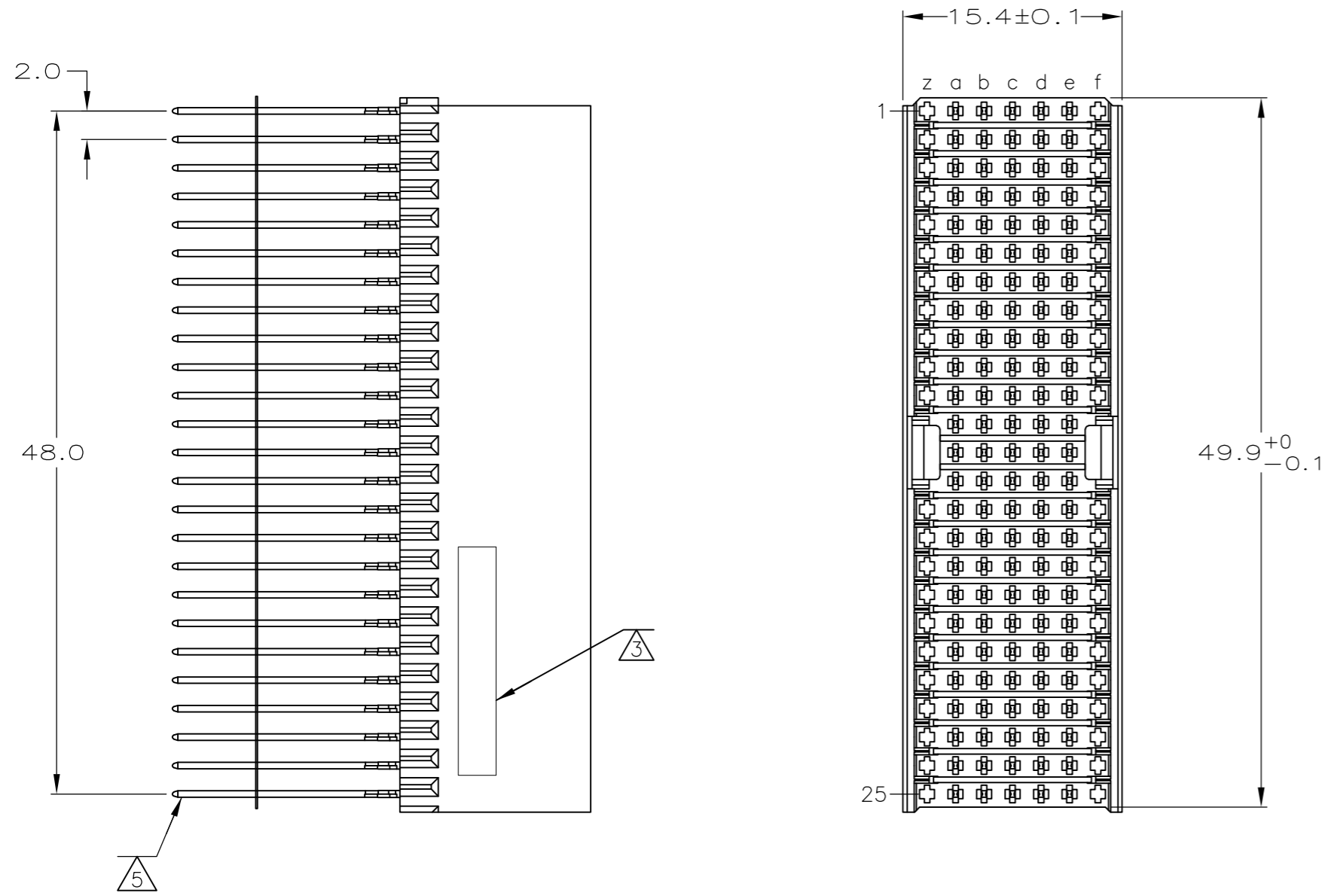


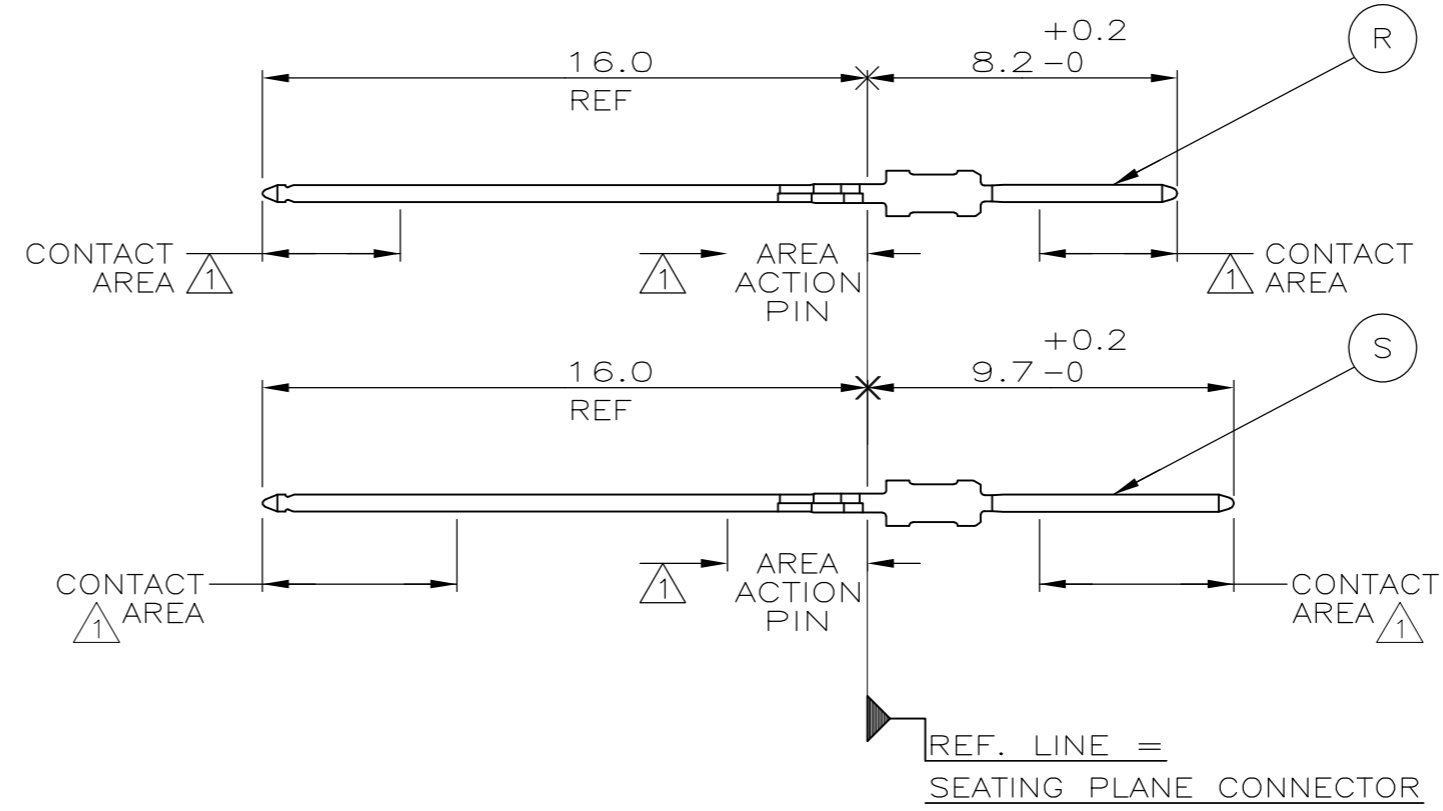
THIS DRAWING IS UNPUBLISHED. RELEASED FOR PUBLICATION  
 © COPYRIGHT BY TYCO ELECTRONICS CORPORATION. ALL RIGHTS RESERVED.

LOC	DIST	REVISIONS			
P	LTR	DESCRIPTION	DATE	DWN	APVD
AD	47				
	A	REVISED PER ECO-08-010459	28APR08	DH	JE
	B	ECR-10-019054	15SEP10	DP	MQW

CONNECTOR ASSEMBLY  
 EXEMPLARY LOADED  $\triangle 10$   
 SCALE 2.5:1



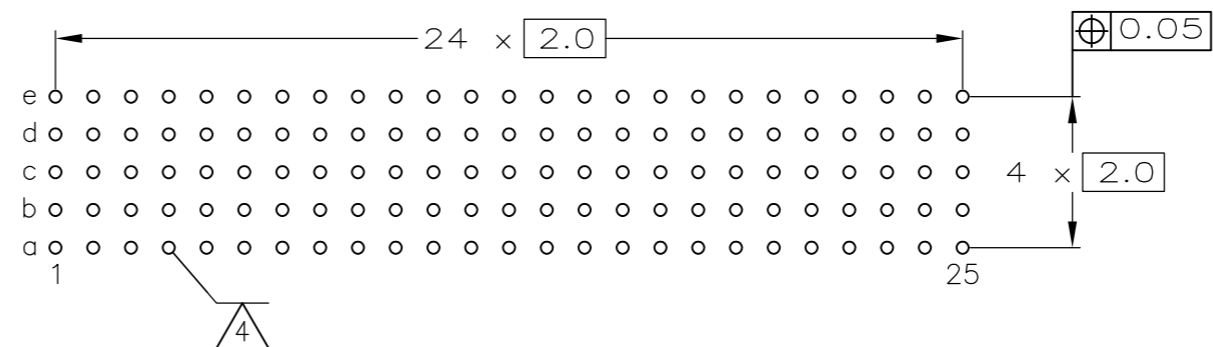
CONTACT DIMENSIONS



CONTACT LAYOUT  
 NTS

	z	a	b	c	d	e	f
1	R	R	R	R	R		
2	R	R	R	R	R		
3	R	R	R	R	R		
4	R	R	R	R	R		
5	R	R	R	R	R		
6	R	R	R	R	R		
7	R	R	R	R	R		
8	R	R	R	R	R		
9	R	R	R	R	R		
10	R	R	R	R	R		
11	R	R	R	R	R		
12	R	R	R	R	R		
13	R	R	R	R	R		
14	R	R	R	R	R		
15	R	R	R	R	R		
16	R	R	R	R	R		
17	R	R	R	R	R		
18	R	R	R	R	R		
19	R	R	R	R	R		
20	R	R	R	R	R		
21	R	R	R	R	R		
22	R	R	R	R	R		
23	R	R	R	R	R		
24	R	R	R	R	R		
25	R	S	S	S	S		

RECOMMENDED PCB-HOLE LAYOUT  
 COMPONENT SIDE SHOWN



PLATED THRU HOLES PARAMETERS  
 REFERENCE APPLICATION SPECIFICATION

$\triangle 2$	$\triangle 6$	$\triangle 12$	1-646783-9
$\triangle 2$	$\triangle 5$	$\triangle 12$	646783-9
$\triangle 2$	$\triangle 4$		646783-4
$\triangle 2$	$\triangle 3$		646783-1
FINISH		PART NUMBER	

THIS DRAWING IS A CONTROLLED DOCUMENT.		DWN DK_SCHRUM 08NOV00	Tyco Electronics Corporation Harrisburg, PA 17105-3608	
DIMENSIONS: mm		CHK LS_BRINER 08NOV00	NAME PIN ASSEMBLY, Z-PACK 2mm HM TYPE A/B, 125 POSITION	
TOLERANCES UNLESS OTHERWISE SPECIFIED:		APVD LS_BRINER 08NOV00	PRODUCT SPEC 108-19082	
0-PLG ±		APPLICATION SPEC 114-19029		
1-PLG ± 0.1		WEIGHT -		
2-PLG ± ±0.2		SIZE A2 CAGE CODE 00779 C=646783		
3-PLG ±		DRAWING NO -		
4-PLG ±		RESTRICTED TO -		
ANGLES ±		SCALE 5:1 SHEET 1 of 2 REV B		
FINISH SEE TABLE		CUSTOMER DRAWING		

THIS DRAWING IS UNPUBLISHED. RELEASED FOR PUBLICATION  
 © COPYRIGHT BY TYCO ELECTRONICS CORPORATION. ALL RIGHTS RESERVED.

LOC	DIST	REVISIONS					
		P	LTR	DESCRIPTION	DATE	DWN	APVD
AD	47	-	-	SEE SHEET 1	-	-	-

- 1 MATERIAL:  
CONTACT: PHOSPHOR BRONZE.  
HOUSING: GLASS-FILLED POLYESTER.
- 2 GENERAL PLATING SPECIFICATION: UNDERPLATING  
(ENTIRE CONTACT): 1.3µm MIN NICKEL AND  
ACTION PIN: 0.5µm MIN TIN/LEAD.  
FOR PLATING OF MATING SURFACES SEE APPLICABLE  
SPECIFICATION REFERENCE FOR EACH DASH NUMBER.
- 3 CONNECTOR MARKED WITH PART NUMBER AND DATE CODE.  
ADDITIONAL CHARACTERS OR MARKINGS, AS WELL AS THE LOCATION OF  
THE MARKINGS,  
MAY BE ADDED FOR TRACEABILITY BASED UPON MANUFACTURERS  
DISCRETION.
- 4 PLATED-THROUGH HOLES AT 2x2mm SQUARE GRID  
PATTERN DEFINED BY CONTACT LAYOUT.
- 5 FOR ACTUAL PIN LOADING SEE "CONTACT LAYOUT".
- 6 CONFORMS TO ALL TESTING ACCORDING TO IEC 61076-4-101  
PERFORMANCE LEVEL 2.
- 7 CONFORMS TO ALL TESTING ACCORDING TO IEC 61076-4-101  
PERFORMANCE LEVEL 1.
- 8 CONNECTOR TESTED AND QUALIFIED AGAINST TELCORDIA GR-1217-CORE  
QUALITY LEVEL 3,  
CENTRAL OFFICE APPLICATIONS.
- 9 CONNECTOR TESTED AND QUALIFIED AGAINST TELCORDIA GR-1217-CORE  
QUALITY LEVEL 3,  
UNCONTROLLED ENVIROMENT APPLICATIONS.
- 10 FOR ACTUAL PIN DIMENSIONS SEE "CONTACT DIMENSIONS".
- 11 TO BE MEASURED AT BOTTOM OF SHROUD.
- 12 CONNECTOR LUBRICATED WITH BELCORE APPROVED LUBRICANT,  
TECHNICAL REFERENCE: TR-NWT-001217 ISSUE 1, SEP 1992.

THIS DRAWING IS A CONTROLLED DOCUMENT.		DWN DK SCHRUM 08NOV00	Tyco Electronics Corporation Harrisburg, PA 17105-3608	
DIMENSIONS: mm		CHK LS BRINER 08NOV00	NAME PIN ASSEMBLY, Z-PACK 2mm HM TYPE A/B, 125 POSITION	
TOLERANCES UNLESS OTHERWISE SPECIFIED: 0-PLC ± 1-PLC ±0.1 2-PLC ± 3-PLC ± 4-PLC ± ANGLES ±		APVD LS BRINER 08NOV00	RESTRICTED TO -	
MATERIAL SEE SHEET 1		PRODUCT SPEC 108-19082	SIZE A2	CAGE CODE 00779
FINISH SEE SHEET 1		APPLICATION SPEC 114-19029	DRAWING NO C=646783	
		WEIGHT -	SCALE 5:1	
		CUSTOMER DRAWING		SHEET 2 of 2
				REV B

646783