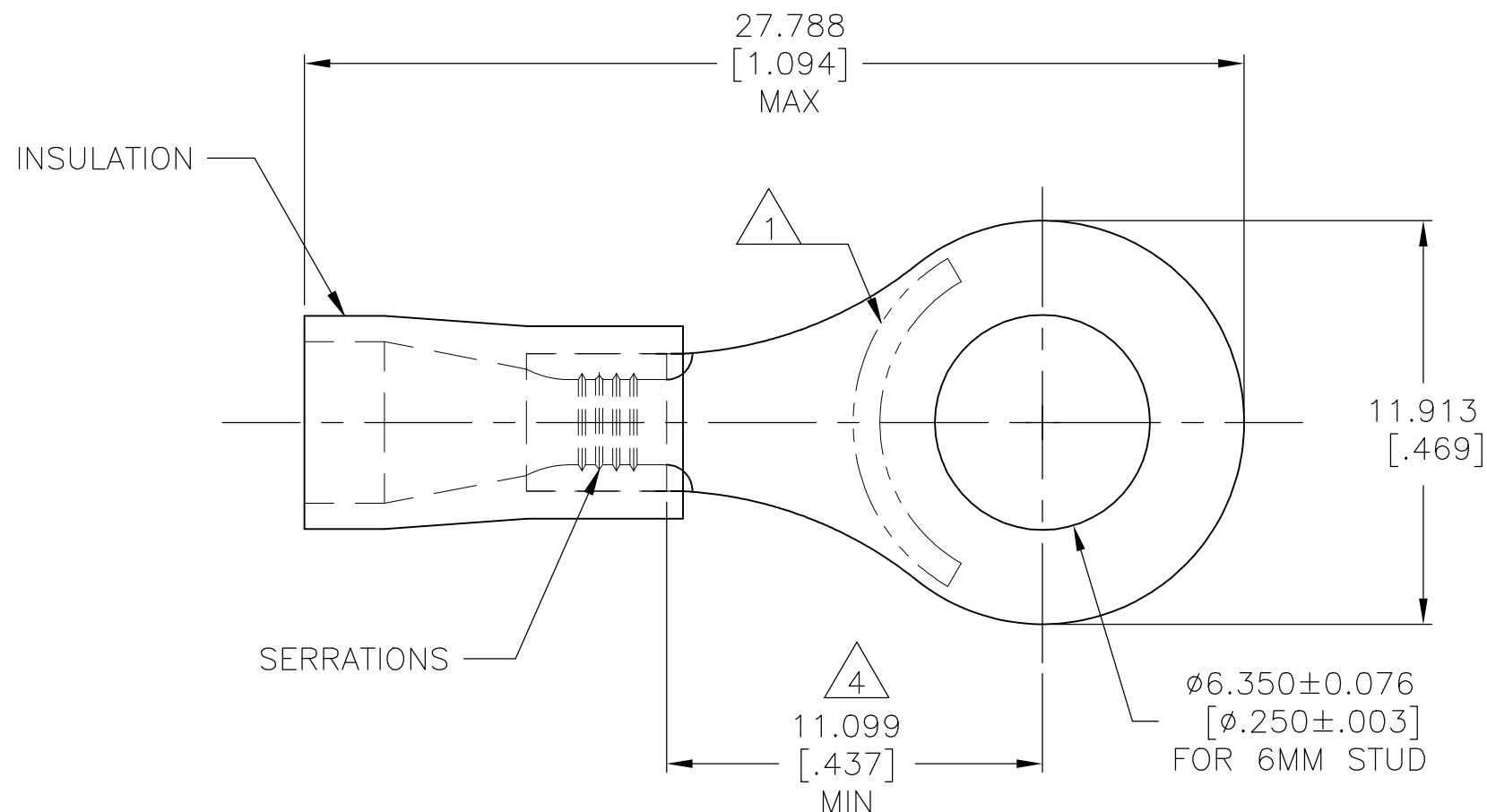
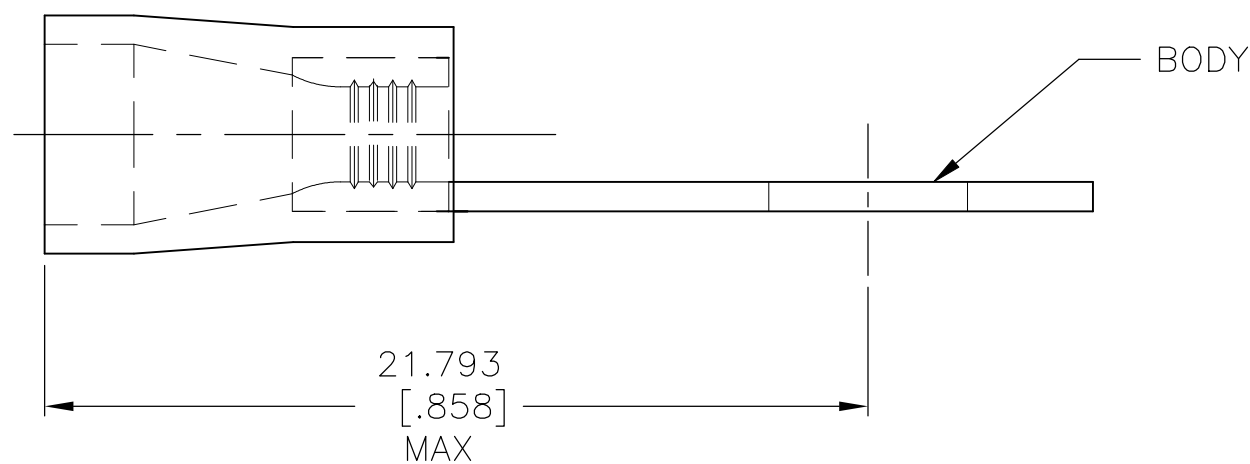


REVISIONS

P	LTR	DESCRIPTION	DATE	DWN	APVD
	E	REV PER ECR 05-009599	06DEC05	JR	TM
	E1	REVISED PER ECO-17-014338	15MAY2018	RS	DR



- 1 STAMP AMP 16-14* APPROX AS SHOWN
- 2 WIRE INSULATION DIA:
2.997-4.902[.118-.193]
- 3 BODY MATERIAL THICKNESS IS
0.787±0.051[.031±.002]
- 4 APPLIES FROM EDGE OF METAL WIRE
BARREL TO CENTER OF STUD HOLE
- 5 600 VOLT MAX
- 6 CIRCULAR MIL AREA
2,050-5,180[1.04mm²-2.62mm²]
- 7 MAXIMUM TEMPERATURE 105°C[221°F]



LOOSE PIECE	1000	130126
PACKAGING	QTY	PART NO

THIS DRAWING IS A CONTROLLED DOCUMENT.		DWN jr_ruth 06DEC05	STE TE Connectivity Ltd.														
DIMENSIONS: mm [INCHES]		CHK T MICHELUTTI 06DEC05															
TOLERANCES UNLESS OTHERWISE SPECIFIED:		APVD T MICHELUTTI 06DEC05	NAME TERMINAL, RING TONGUE, PLASTI-GRIP, 16-14 AWG														
<table border="0"> <tr><td>0 PLC</td><td>± -</td></tr> <tr><td>1 PLC</td><td>± -</td></tr> <tr><td>2 PLC</td><td>± -</td></tr> <tr><td>3 PLC</td><td>± 0.127[.005]</td></tr> <tr><td>4 PLC</td><td>± -</td></tr> <tr><td>ANGLES</td><td>± 1°</td></tr> </table>		0 PLC	± -	1 PLC	± -	2 PLC	± -	3 PLC	± 0.127[.005]	4 PLC	± -	ANGLES	± 1°	PRODUCT SPEC UL 486 A-B	RESTRICTED TO		
0 PLC	± -																
1 PLC	± -																
2 PLC	± -																
3 PLC	± 0.127[.005]																
4 PLC	± -																
ANGLES	± 1°																
MATERIAL BODY: COPPER PER ASTM B152 INSULATION: PVC		APPLICATION SPEC 114-2161	SIZE A3	CAGE CODE 00779	DRAWING NO C-130126												
FINISH BODY: TIN PLATE PER ASTM B545 INSULATION: COLOR - BLUE		WEIGHT	SCALE 5:1														
CUSTOMER DRAWING		SHEET 1 OF 1		REV E1													