

THIS DRAWING IS UNPUBLISHED.

RELEASED FOR PUBLICATION

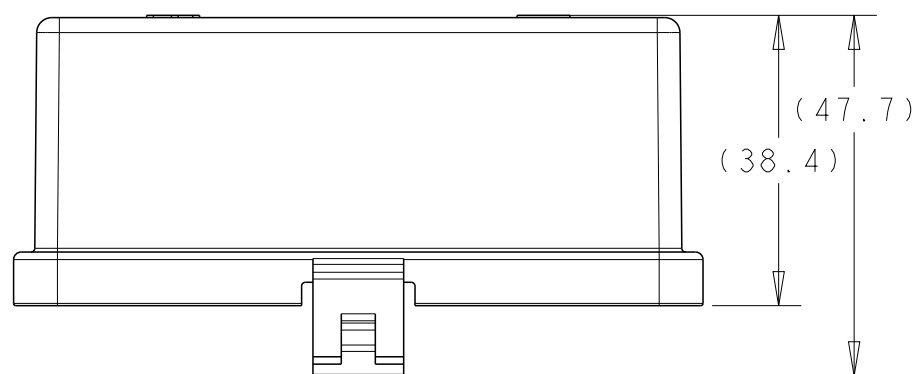
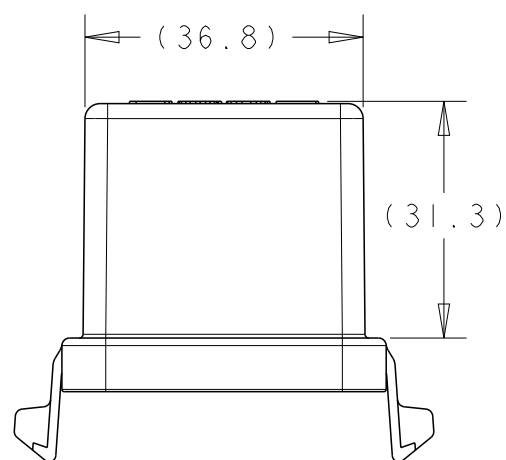
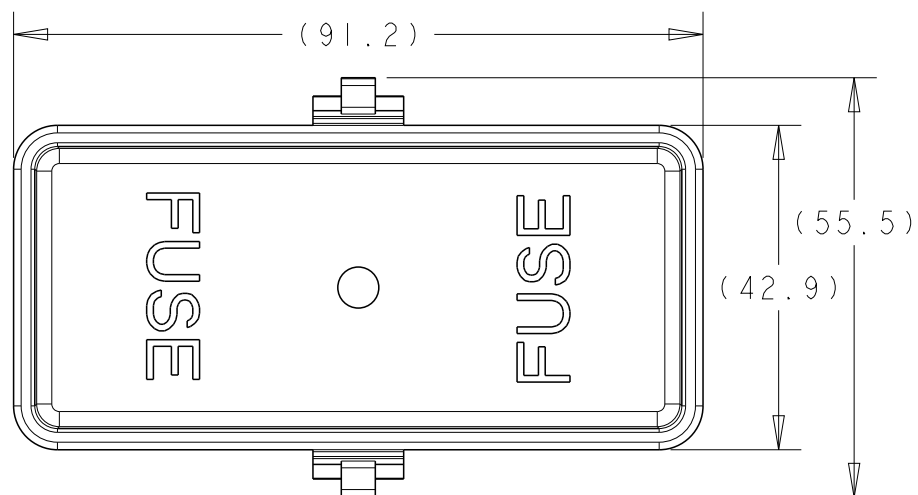
20

© COPYRIGHT 20 BY -

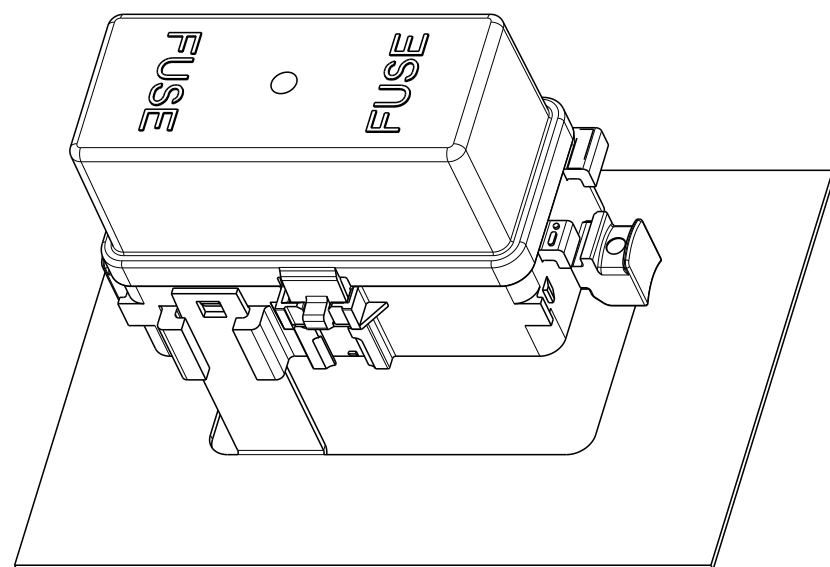
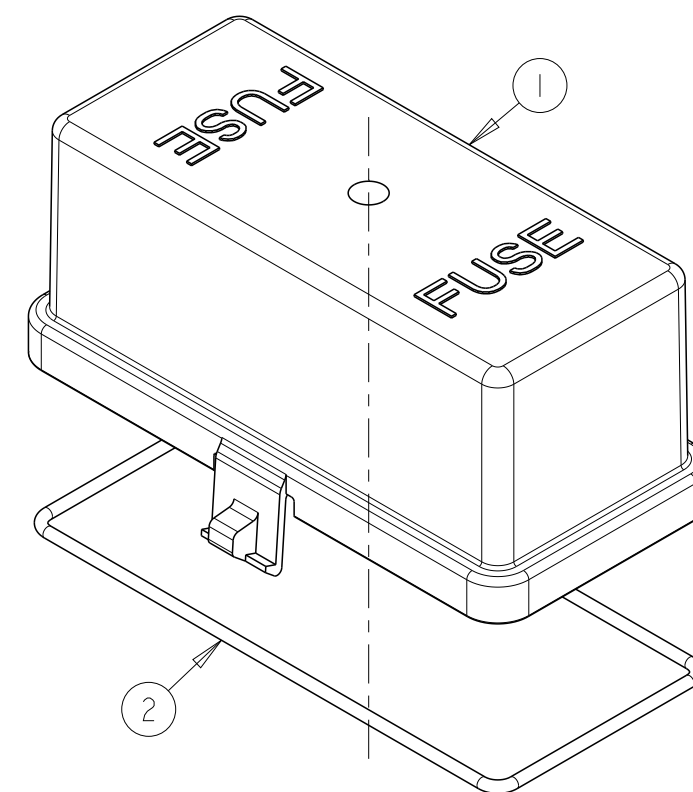
ALL RIGHTS RESERVED.

REVISIONS

P	LTR	DESCRIPTION	DATE	DWN	APVD
B		INITIAL DRAWING RELEASE	10NOV2005	AG	JS
BI		REV PER ECO-16-017944	12DEC2016	JM	DS



1. DEVICE MEETS TYCO PRODUCT SPECIFICATION 108-47001



MOUNTING DETAIL

1	SILICONE	SEAL	2
1	PBT BLACK	COVER	1
-1	MATERIAL	DESCRIPTION	ITEM

THIS DRAWING IS A CONTROLLED DOCUMENT.

DWN A. GUANCO 10NOV2005

CHK J. SHEVELA 10NOV2005

APVD J. SHEVELA 10NOV2005

PRODUCT SPEC -

APPLICATION SPEC -

WEIGHT -

CUSTOMER DRAWING

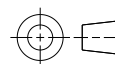
NAME COVER WITH SEAL 40 POSITION

SIZE A3 CAGE CODE 300779 DRAWING NO C-109854 RESTRICTED TO -

SCALE 1:2 SHEET 1 OF 1 REV BI

DIMENSIONS:

mm



TOLERANCES UNLESS OTHERWISE SPECIFIED:

0 PLC	±1
1 PLC	±.25
2 PLC	±.15
3 PLC	±-
4 PLC	±-
ANGLES	±1
FINISH	-
	-

MATERIAL SEE TABLE

