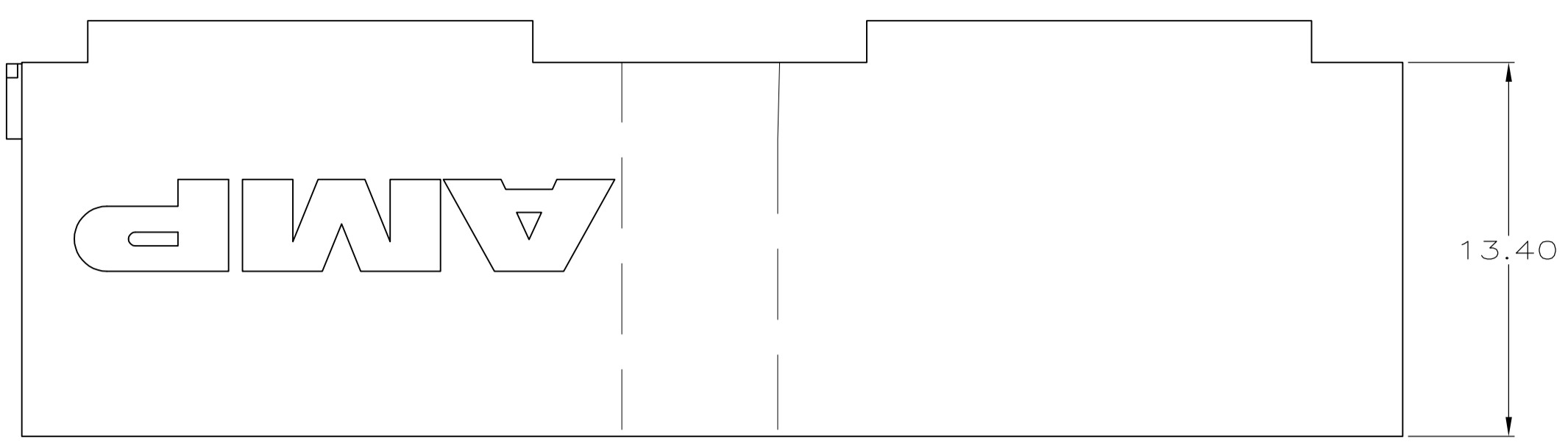
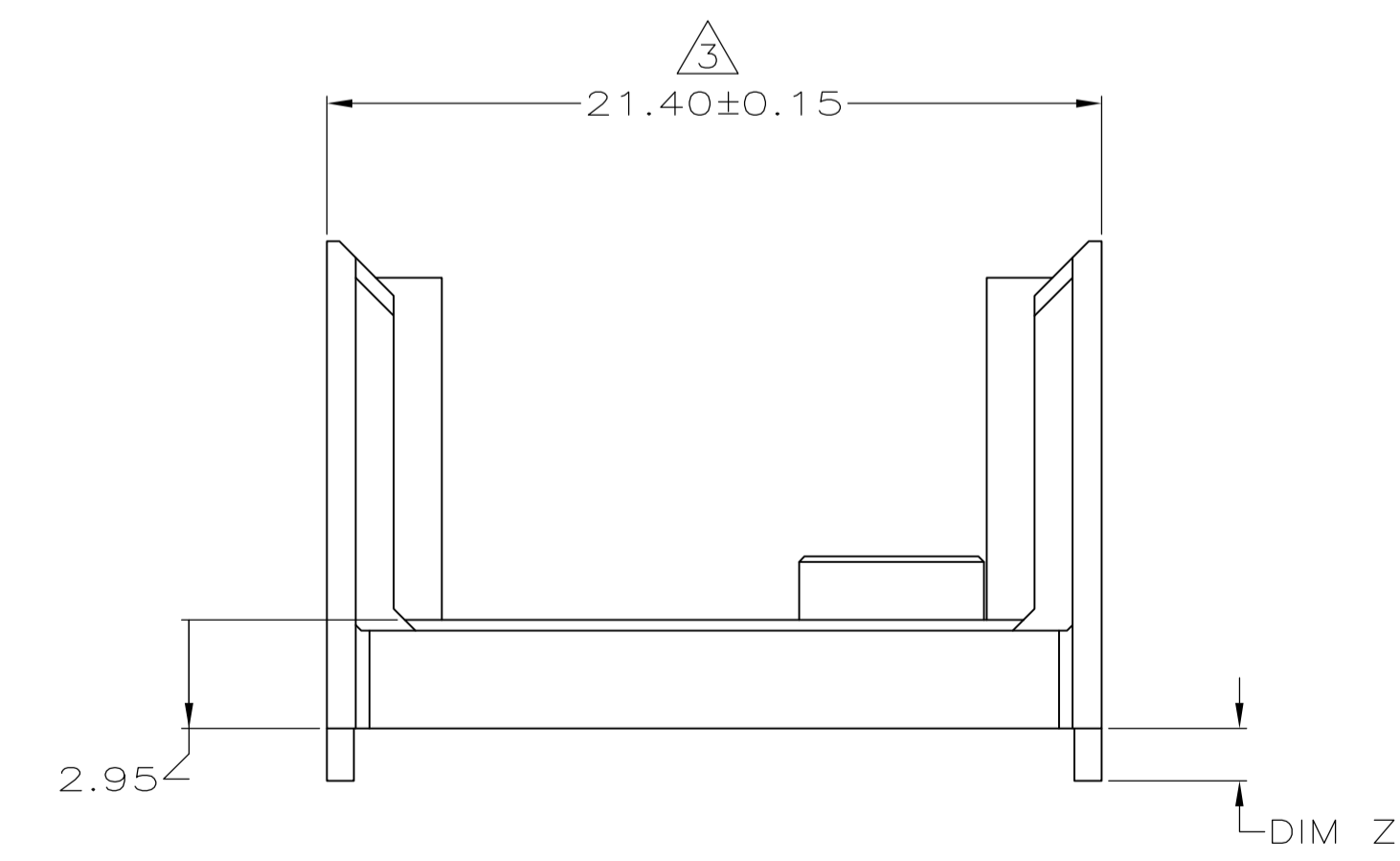
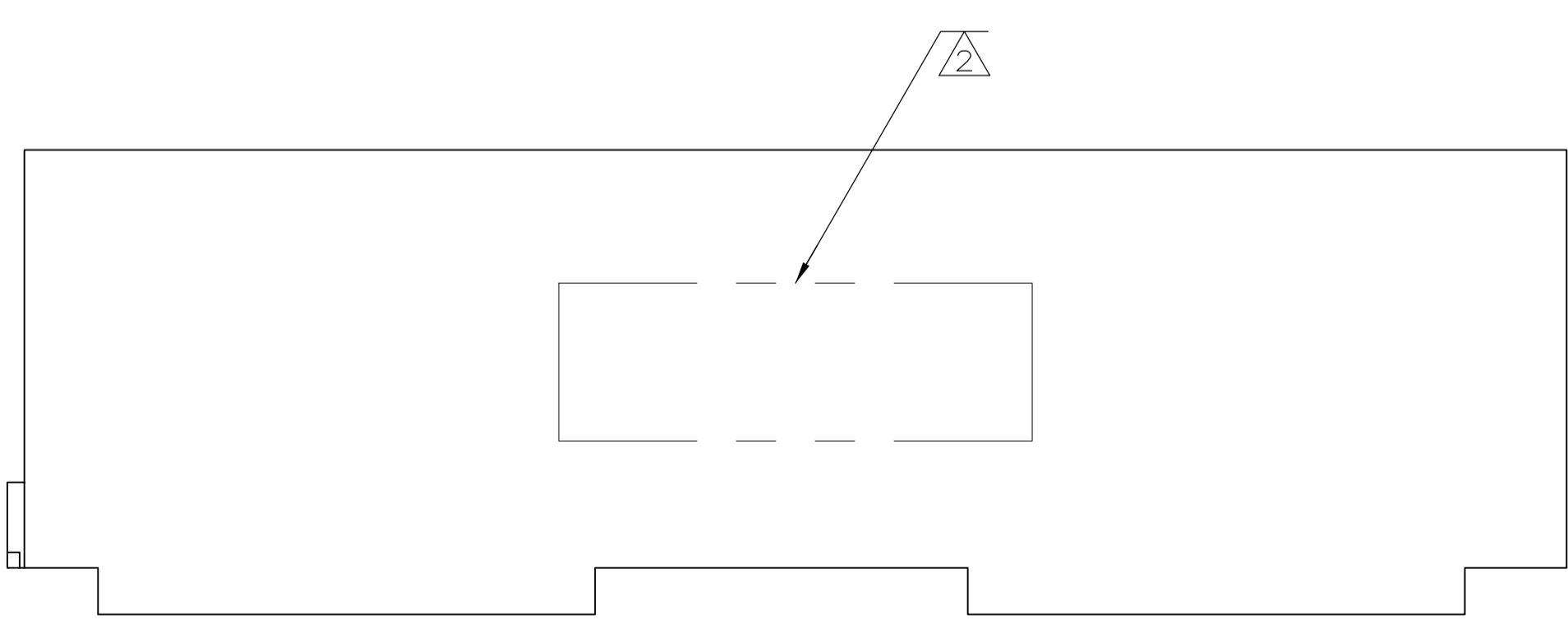
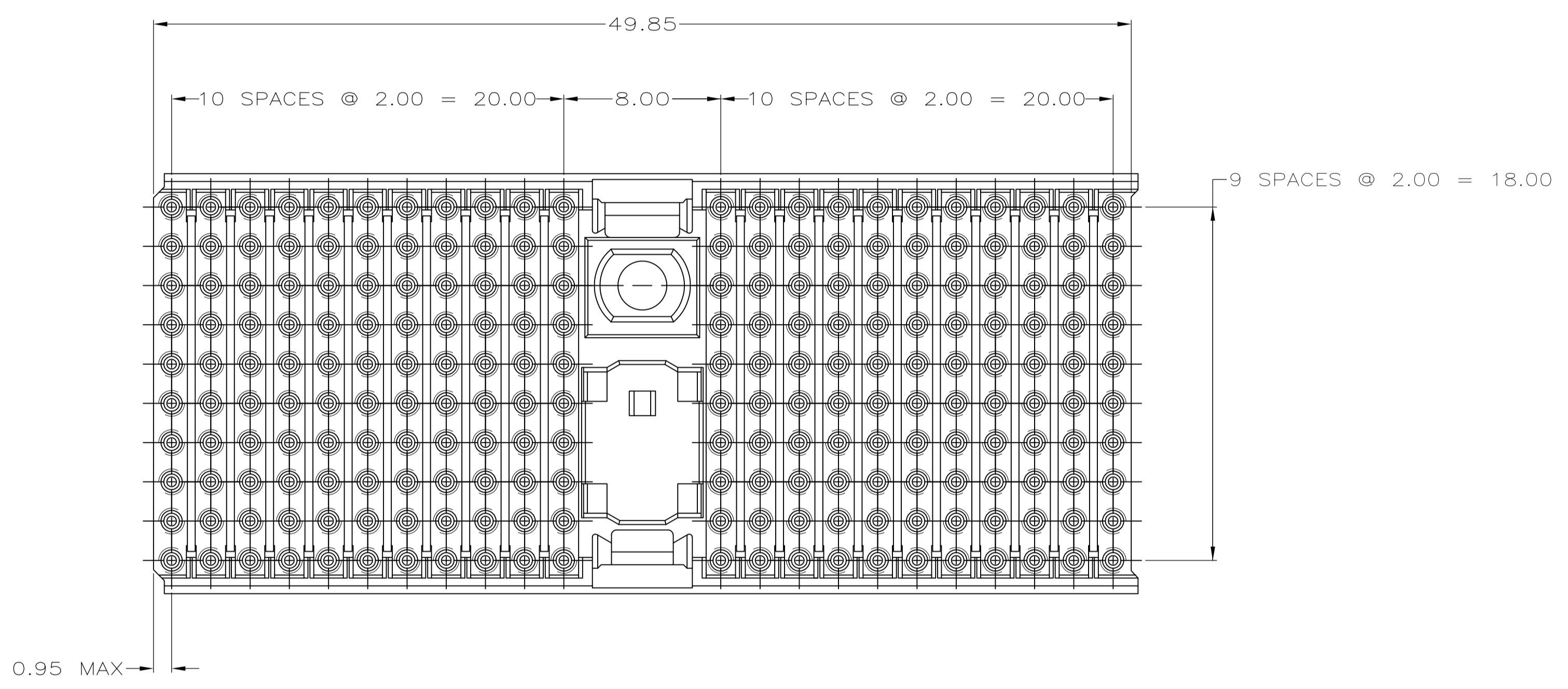


LOC		DIST		REVISIONS			
P	LTR	DESCRIPTION	DATE	DMN	APVD		
E		REVISED PER ECO-07-027626	28NOV07	DH	JE		
E1		REVISED PER ECO-10-000443	15JAN10	KK	AEG		
F		ECR-10-019054	15SEP10	DP	MQW		



- 1 MATERIAL: GLASS FILLED POLYESTER.
- 2 PART NUMBER MARKED IN APPROXIMATE AREA SHOWN. ADDITIONAL CHARACTERS OR MARKINGS, AS WELL AS THE LOCATION OF THE MARKINGS, MAY BE ADDED FOR TRACEABILITY BASED UPON MANUFACTURERS DISCRETION.
- 3 TO BE MEASURED AT BASE OF SHROUD.
- 4 OBSOLETE PARTS: OBSOLETE CIS STREAMLINING PER D.RENAUD/D.SINISI



	1.90	646476-7
4 OBSOLETE	1.70	-646476-6-
4 OBSOLETE	1.50	-646476-5-
4 OBSOLETE	1.30	-646476-4-
4 OBSOLETE	1.10	-646476-3-
	0.90	646476-2
4 OBSOLETE	-	-646476-1-
	DIM Z	PART NUMBER

THIS DRAWING IS A CONTROLLED DOCUMENT.		DIN T. SHUEY 9-29-98	Tyco Electronics Corporation Harrisburg, Pa 17105-3608	
DIMENSIONS: mm		CHK G. SKIPPER 11-23-98	APVD G. SKIPPER 11-23-98	
TOLERANCES UNLESS OTHERWISE SPECIFIED:		NAME SHROUD,TYPE D,Z-PACK 2mm HM, 8 ROW,220 POSITION,WITH GUIDE		
0-PLC ±	1-PLC ±	APPLICATION SPEC		
2-PLC ±0.05	3-PLC ±	SIZE CAGE CODE DRAWING NO		
4-PLC ±	ANGLES ±	A1 00779 C=646476		
MATERIAL 1	FINISH -	WEIGHT -		RESTRICTED TO
CUSTOMER DRAWING		SCALE 5:1	SHEET 1 OF 1	REV F