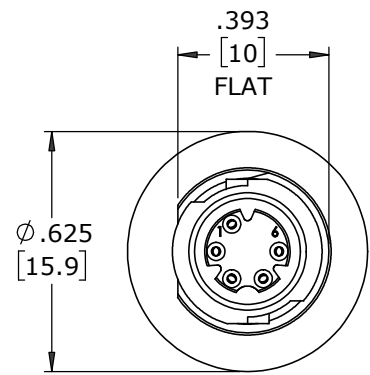
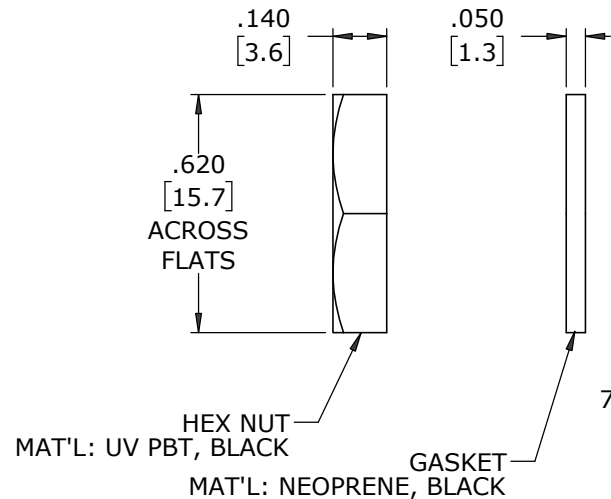


- NOTES:
 1. ALL PARTS TO BE BULK PACKED
 2. CONTACTS SHIPPED UNASSEMBLED
 3. ALL DIMENSIONS ARE REFERENCE EXCEPT THOSE WITH A TOLERANCE

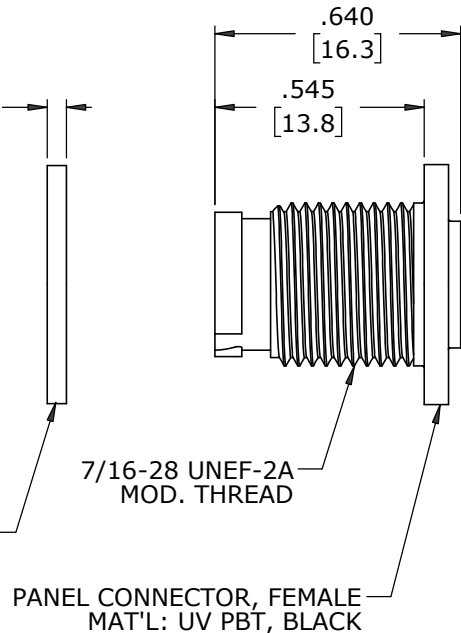
ASS'Y P/N	NO. OF CONTACTS	KEY STYLE
W17980-5SG-P-300	5 #26	A-KEY
W17980-6SG-P-300	6 #26	B-KEY
W17980-7SG-P-300	7 #26	A-KEY



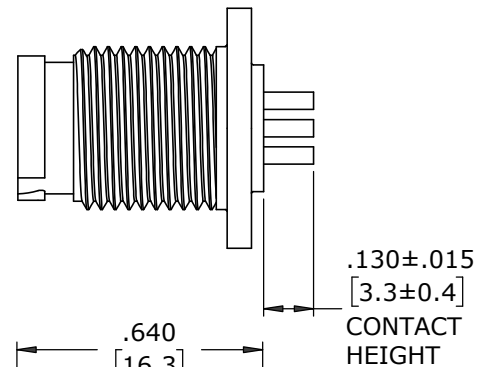
FACE VIEW
 W17980-5SG-P-300
 5 POSITION
 A-KEY



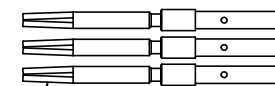
HEX NUT
 MAT'L: UV PBT, BLACK
 GASKET
 MAT'L: NEOPRENE, BLACK



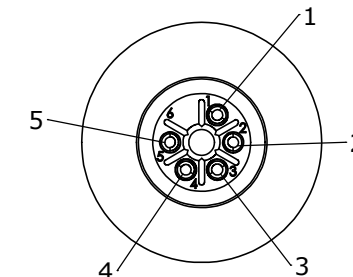
7/16-28 UNEF-2A
 MOD. THREAD
 PANEL CONNECTOR, FEMALE
 MAT'L: UV PBT, BLACK



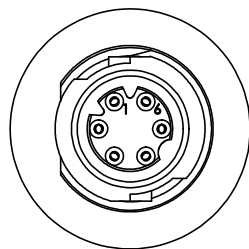
.130±.015
 [3.3±0.4]
 CONTACT
 HEIGHT



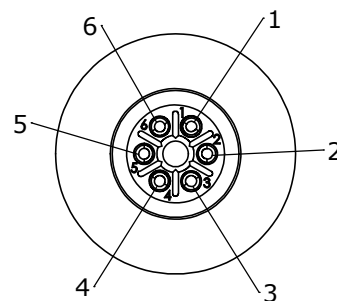
(5-7) #26 SOCKET CONTACTS, CRIMP
 MAT'L: GOLD PLATED COPPER ALLOY



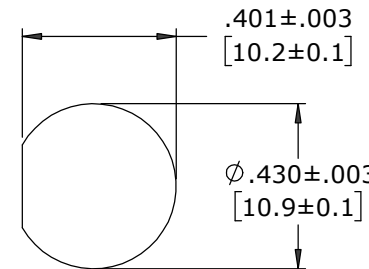
WIRE VIEW
 W17980-5SG-P-300



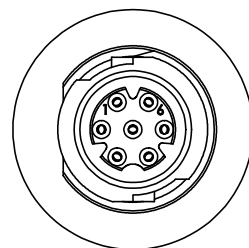
FACE VIEW
 W17980-6SG-P-300
 6 POSITION
 B-KEY



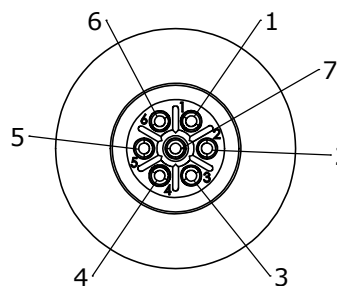
WIRE VIEW
 W17980-6SG-P-300



**RECCOMENDED
 PANEL CUT-OUT**



FACE VIEW
 W17980-7SG-P-300
 7 POSITION
 A-KEY



WIRE VIEW
 W17980-7SG-P-300

CUSTOMER APPROVAL

THIS DOCUMENT CONTAINS CONFIDENTIAL INFORMATION PROPRIETARY TO CONXALL CORPORATION. ANY REPRODUCTION, DISCLOSURE, OR USE OF THIS DOCUMENT /INFORMATION IS EXPRESSLY PROHIBITED UNLESS AUTHORIZED IN WRITING BY CONXALL CORPORATION.

APPROVED BY: _____
 DATE: _____

A	MA	08-13-20	RELEASED PER PDR 18004-2
	JGK	8/13/19	DRAWING CREATED FOR PDR #18004
REV.	INIT.	DATE	DESCRIPTION
	JGK	8/13/19	ORIG. DRAWN BY: DATE: 8/13/19
ALL INFORMATION ILLUSTRATED IS THE PROPERTY OF "CONXALL CORPORATION". UNAUTHORIZED DUPLICATION OR DISTRIBUTION OF THIS DOCUMENT IS PROHIBITED.			
ALL UNITS ARE IN FEET, INCHES, FRACTION OF INCHES AND DECIMALS.			
APPROVED BY:		TITLE: PANEL MOUNT ASSEMBLY (5-7) #26 SOCKET CONTACTS, CRIMP INSTA-CLICK™ MICRO-CON-X STANDARD PRODUCT	
SCALE	SIZE	SHEET	CUSTOMER:
NTS	B	1 OF 1	W17980-XSG-P-300
FILE:	DIRECTORY:	PART NUMBER:	REV
W17980-XSG-P-300	SLW	W17980-XSG-P-300	A

DIMENSIONS IN BRACKETS [] ARE IN MILLIMETERS UNLESS INDICATED

RoHS COMPLIANT

CRITICAL CHARACTERISTIC FLAG PER SPEC. XXXX

CUSTOMER PRINT

PART NUMBER: W17980-XSG-P-300