

6

5

4

3

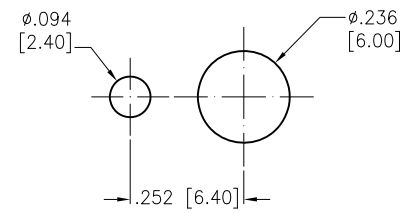
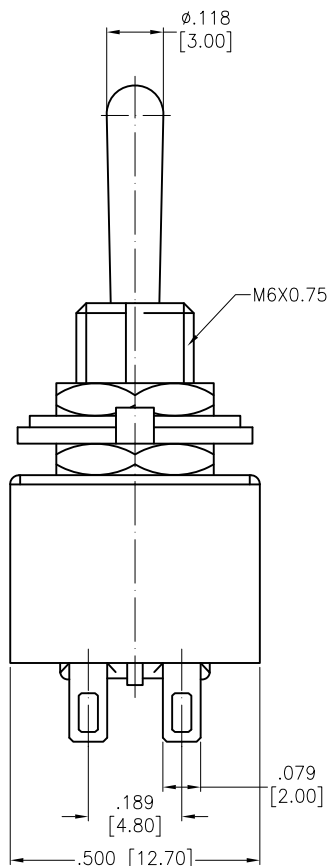
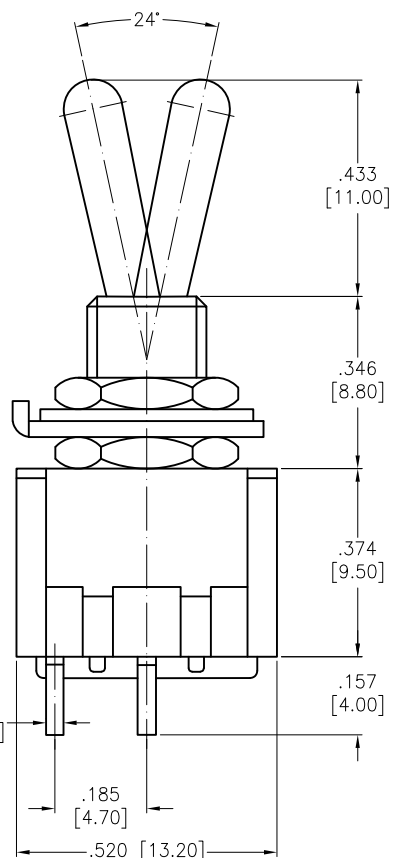
2

1

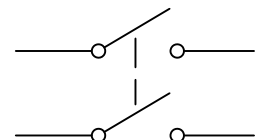
APPROVED: _____

DATE: _____ TITLE: _____

| | | | | |
|-----|-------|-------------|----------|------|
| Rev | AWO # | Description | Date | Appr |
| - | | RELEASED | 11/17/20 | |



RECOMMENDED PANEL CUT-OUT



CIRCUIT DIAGRAM (DPST)

SW-T2-3X-A-A2-M2
 A=ON-OFF
 C=OFF-(ON)

SPECIFICATIONS:

Material:
 Body: Bakelite, Color: Black
 Lever: Brass, Nickel plated
 Terminal: Brass, Silver plated
 Electrical:
 Rating: 3A @ 250V AC
 6A @ 125V AC
 Contact resistance: 20 mΩ max
 Insulation resistance: 1000 MΩ min (500VDC)
 Dielectric withstanding voltage: 1500V AC for 1 minute
 Electrical Life: 10,000 cycles
 Temperature Rating:
 Operating temperature: -25°C to +85°C
 Environmental:
 Lead free, RoHS compliant



| | | |
|---|--------------|----------|
| UNLESS OTHERWISE SPECIFIED ALL DIMENSIONS ARE INCHES [MM] TOLERANCES: EXCEPT AS NOTED | | |
| INCHES HOLES | | |
| .X ± .10 | Ø.X ± .10 | |
| .XX ± .020 | Ø.XX ± .015 | |
| .XXX ± .015 | Ø.XXX ± .010 | |
| APPROVALS | | DATE |
| DRAWN | OW | 11/17/20 |
| CHECKED | AC | 11/17/20 |
| APPROVED | | |

ADAM TECH 909 Rahway Avenue,
 Union, NJ 07083
 Phone: 908-687-5000
 Fax: 908-687-5710

TITLE SWITCH, TOGGLE MINIATURE, DPST,
 ON-OFF, OFF-(ON), SOLDER TYPE

| | | |
|--------|---------------------------|--------------|
| SIZE X | PART NO. SW-T2-3X-A-A2-M2 | REV. - |
| REF: - | SCALE: NTS | SHEET 1 OF 1 |

6

5

4

3

2

1