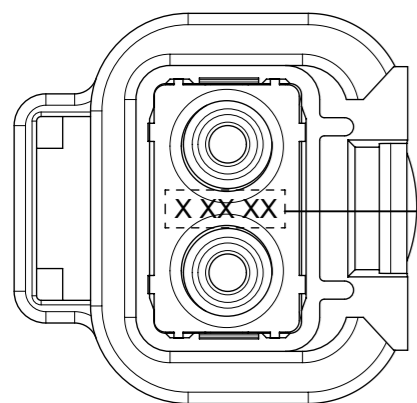
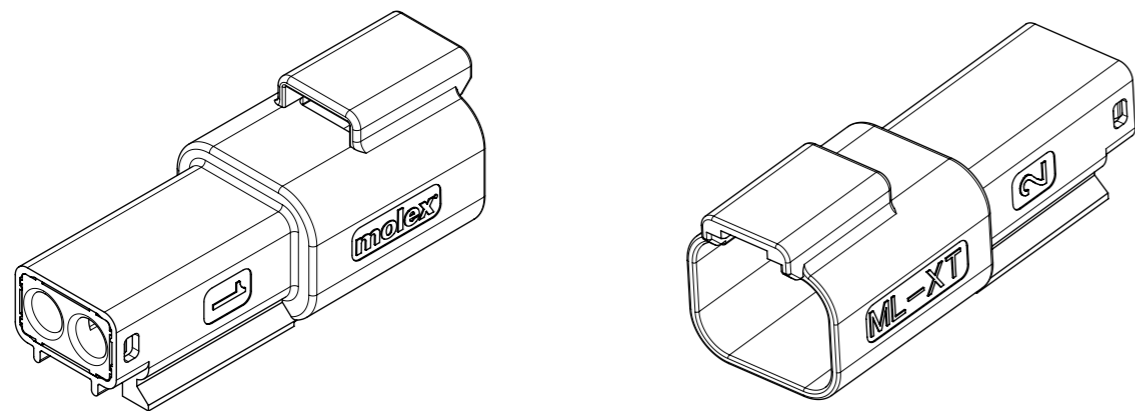


**NOTES**  
 1. SEE SHEETS 2 TO 9 FOR UNSPECIFIED NOTES, DIMENSIONS AND PART NUMBERS

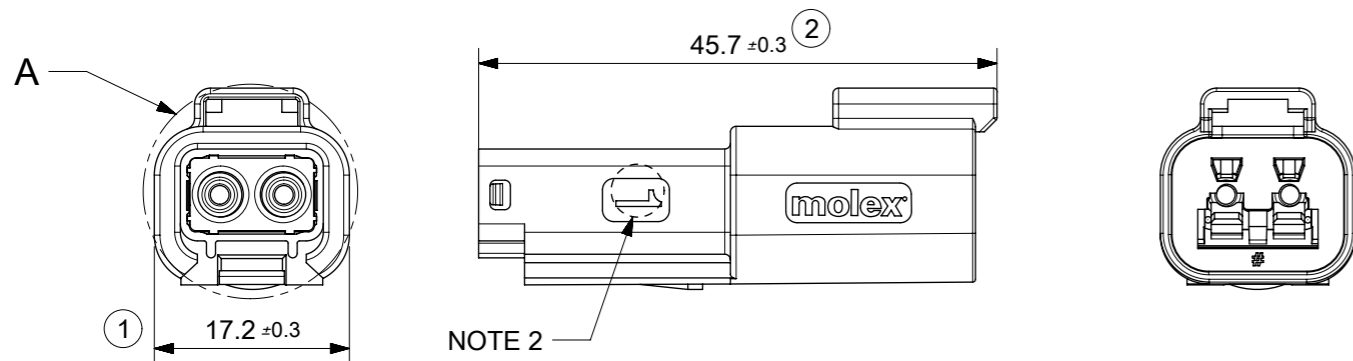
THIS DRAWING CONTAINS INFORMATION THAT IS PROPRIETARY TO MOLEX ELECTRONIC TECHNOLOGIES, LLC AND SHOULD NOT BE USED WITHOUT WRITTEN PERMISSION									
SYMBOLS	DIMENSION UNITS	SCALE	CURRENT REV DESC: SEE LONG TEXT						
	mm	2:1	<b>molex</b> 2CCT ML-XT CV CONNECTOR						
GENERAL TOLERANCES (UNLESS SPECIFIED)									
ANGULAR TOL ± 2.0°			PRODUCT CUSTOMER DRAWING						
▽ = 0	4 PLACES ±		DOCUMENT NUMBER						
▽ = 0	3 PLACES ±		934430010						
▽ = 0	2 PLACES ±	0.1	DOC TYPE DOC PART REVISION						
▽ = 0	1 PLACE ±	0.2	PSD 000 B1						
▽ = 0	0 PLACES ±		MATERIAL NUMBER CUSTOMER SHEET NUMBER						
☒ = 0	DRAFT WHERE APPLICABLE MUST REMAIN WITHIN DIMENSIONS		THIRD ANGLE PROJECTION	DRAWING	SERIES	93443	SEE CHART	GENERAL MARKET	1 OF 9

2CCT RECEPTACLE CONNECTOR



(ROTATED 90°)  
DETAIL A  
SCALE 3:1

DATE CODE: X XX XX  
X — DAY: 1- 7  
X — WEEK: 01 - 52  
X — YEAR: 00 - 99  
X — MACHINE NO. 1  
EXAMPLE: 11315 = DAY 1, WEEK 13, YEAR 15  
i.e. 23rd OF MARCH 2015



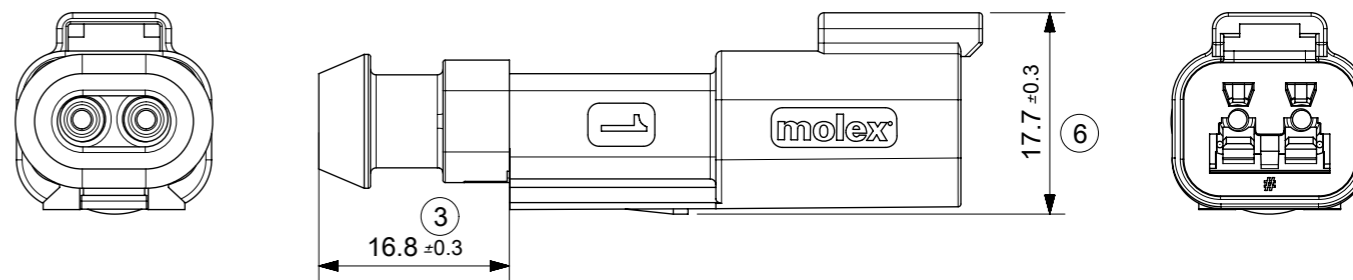
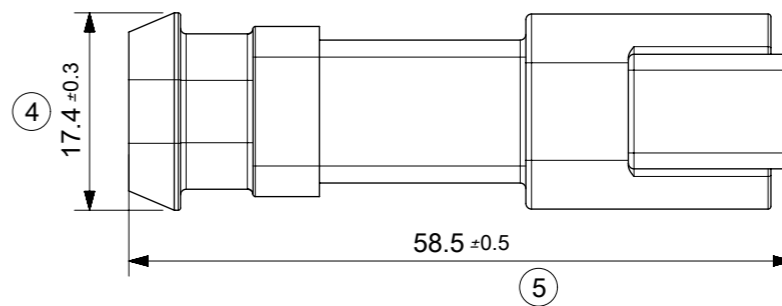
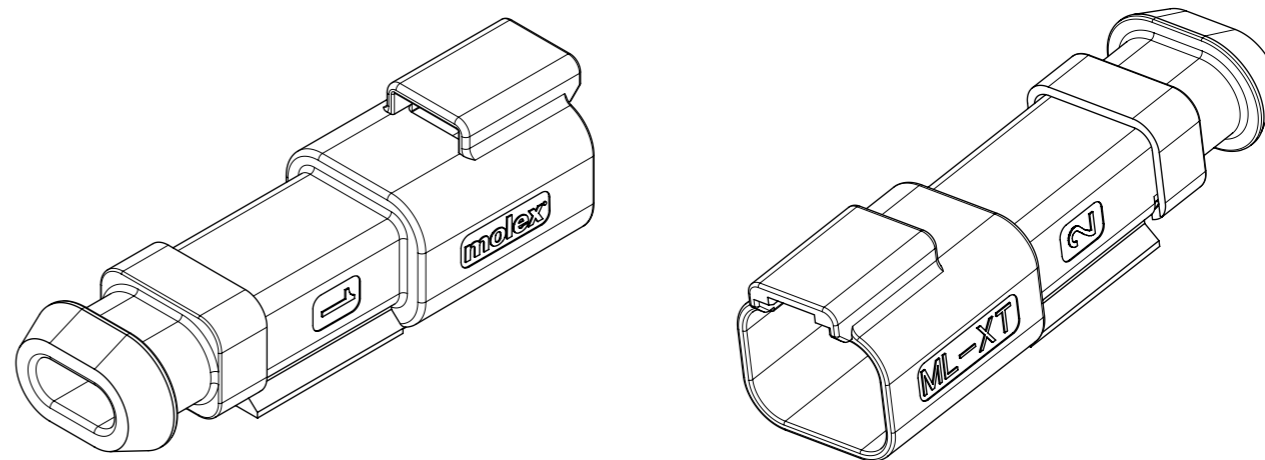
NOTE 2

NOTES:

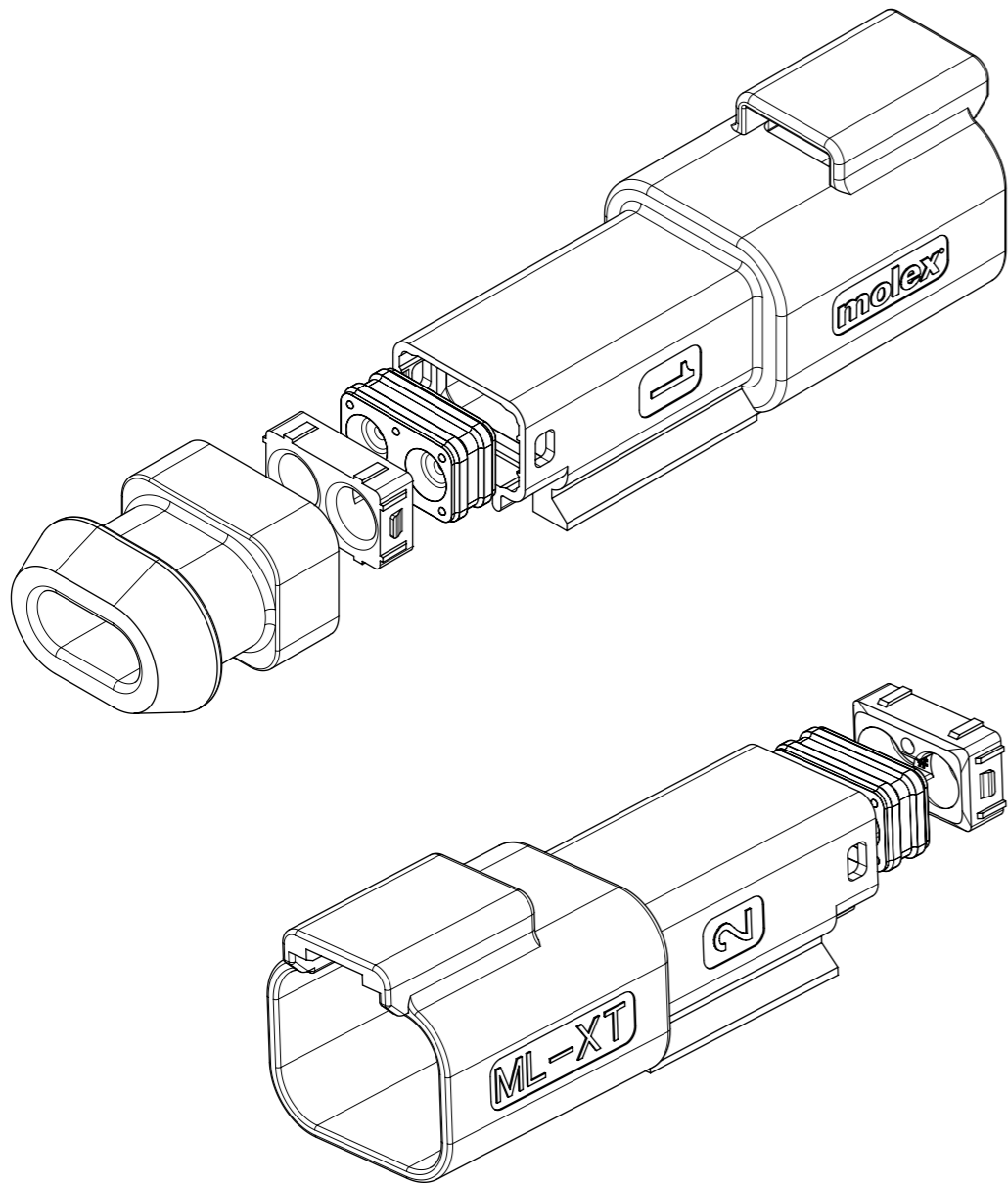
1. MATERIAL  
HOUSING: NYLON 30%GF  
BACK SEAL: HIGH CONSISTENCY RUBBER
2. CIRCUIT IDENTIFICATION
3. JACKET RANGE LARGE = 2.23mm - 3.68mm (SEAL COLOUR: GREEN)  
JACKET RANGE SMALL = 1.20mm - 3.05mm (SEAL COLOUR: BURNT ORANGE)
4. SEE SHEET 3 FOR FINAL PART NUMBER DESIGNATION
5. SEE 934430010 PSP FOR PRODUCT SPECIFICATION
6. SEE 934430002 PSK FOR PACKAGING SPECIFICATION

LAST INSPECTION NUMBER: 6  
INSPECTION NUMBERS 1-50 RESERVED FOR SHEET 2

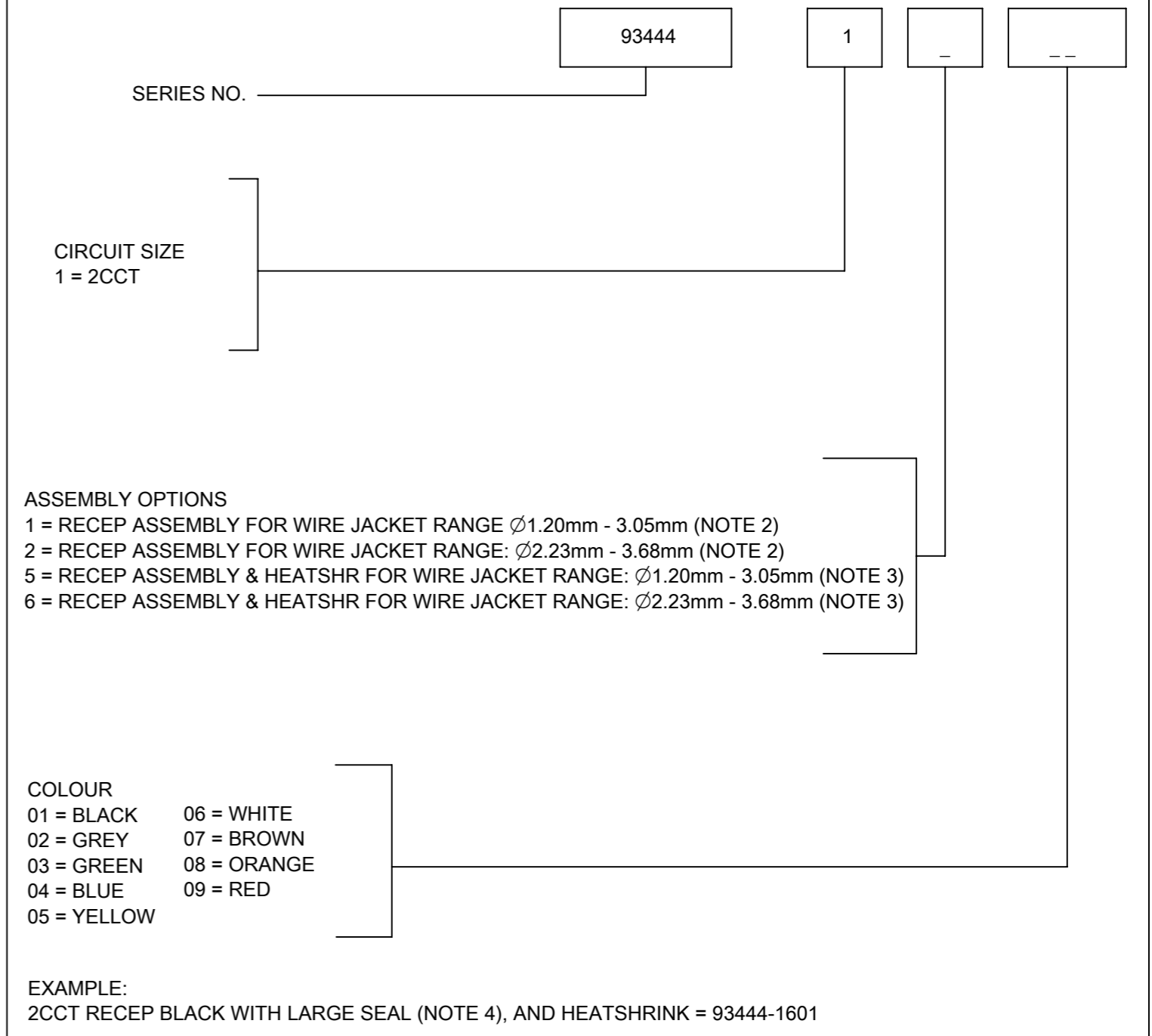
2CCT RECEPTACLE CONNECTOR WITH  
HEATSHRINK HOUSING ULTRASONICALLY  
WELDED IN PLACE



SYMBOLS		THIS DRAWING CONTAINS INFORMATION THAT IS PROPRIETARY TO MOLEX ELECTRONIC TECHNOLOGIES, LLC AND SHOULD NOT BE USED WITHOUT WRITTEN PERMISSION	
▽ = 0	mm	SCALE	2:1
▽ = 0	GENERAL TOLERANCES (UNLESS SPECIFIED)		
▽ = 0	ANGULAR TOL ± 2.0°		
▽ = 0	4 PLACES ±	CURRENT REV DESC: SEE LONG TEXT	
▽ = 0	3 PLACES ±	EC NO: 603740	
▽ = 0	2 PLACES ± 0.1	DRWN: JFLETCHER 2019/05/16	
▽ = 0	1 PLACE ± 0.2	CHK'D: AJOBRIEN 2019/07/02	
□ = 0	0 PLACES ±	APPR: IOCONNELL 2019/07/24	
■ = 0	DRAFT WHERE APPLICABLE MUST REMAIN WITHIN DIMENSIONS		
▽ = 0	THIRD ANGLE PROJECTION		
DRAWING		SERIES	93443
A3-SIZE		MATERIAL NUMBER	SEE CHART
CUSTOMER		GENERAL MARKET	
DOCUMENT NUMBER		DOC TYPE	DOC PART
934430010		PSD	000
REVISION		B1	
SHEET NUMBER		2 OF 9	

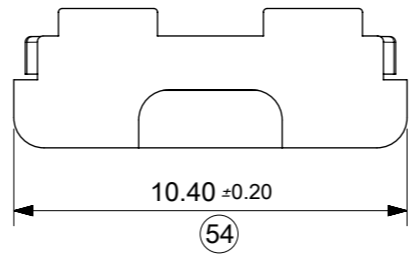
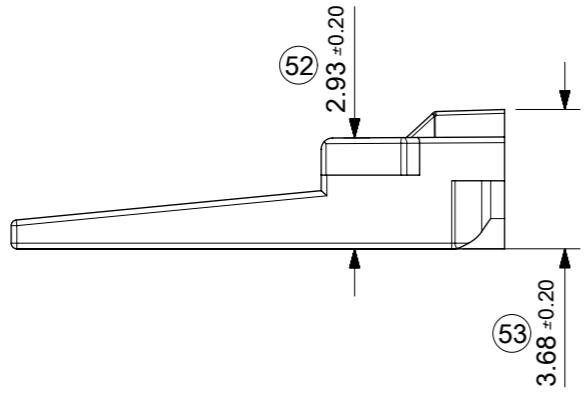
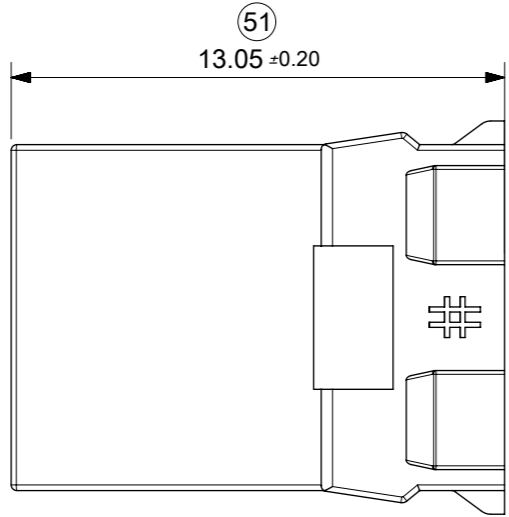
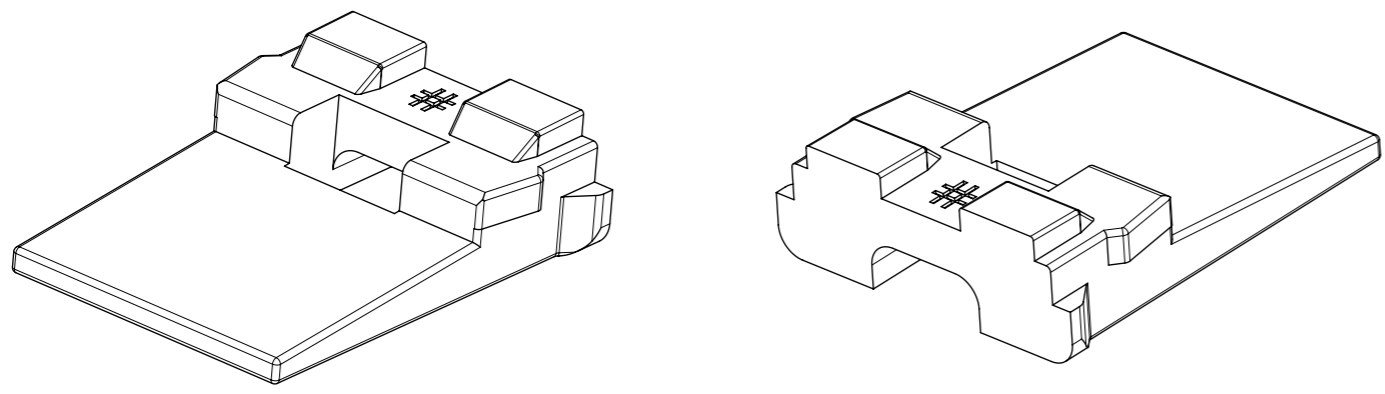


2CCT RECEPTACLE CONNECTOR



- Notes:
- SEE SHEET 2 FOR UNSPECIFIED NOTES AND DIMENSIONS
  - BACK COVER COLOUR: BLACK
  - HEATSHRINK COLOUR: BLACK
  - JACKET RANGE LARGE = 2.23mm - 3.68mm (SEAL COLOUR: GREEN)  
 JACKET RANGE SMALL = 1.20mm - 3.05mm (SEAL COLOUR: BURNT ORANGE)

SYMBOLS		THIS DRAWING CONTAINS INFORMATION THAT IS PROPRIETARY TO MOLEX ELECTRONIC TECHNOLOGIES, LLC AND SHOULD NOT BE USED WITHOUT WRITTEN PERMISSION		CURRENT REV DESC: SEE LONG TEXT		<b>molex</b>	
▽ = 0	mm	SCALE	2:1	EC NO: 603740			
▽ = 0	GENERAL TOLERANCES (UNLESS SPECIFIED)		DRWN: JFLETCHER		2019/05/16	PRODUCT CUSTOMER DRAWING	
▽ = 0	ANGULAR TOL ± 2.0°		CHK'D: AJOBRIEN		2019/07/02	DOCUMENT NUMBER	
▽ = 0	4 PLACES ±	APPR: IOCONNELL		2019/07/24	934430010		DOC TYPE
▽ = 0	3 PLACES ±	INITIAL REVISION:		2015/06/12		PSD	DOC PART
▽ = 0	2 PLACES ± 0.1	DRWN: KREILLY		2015/09/15		000	REVISION
▽ = 0	1 PLACE ± 0.2	APPR: JDWALLACE		2015/09/15		B1	
▽ = 0	0 PLACES ±	DRAFT WHERE APPLICABLE MUST REMAIN WITHIN DIMENSIONS		THIRD ANGLE PROJECTION	DRAWING	SERIES	MATERIAL NUMBER
▽ = 0					A3-SIZE	93443	CUSTOMER
							SEE CHART
							GENERAL MARKET
							SHEET NUMBER
							3 OF 9



**2CCT RECEPT WEDGELOCK**

SERIES NO. 93447 1 0 --

CIRCUIT SIZE 1 = 2CCT

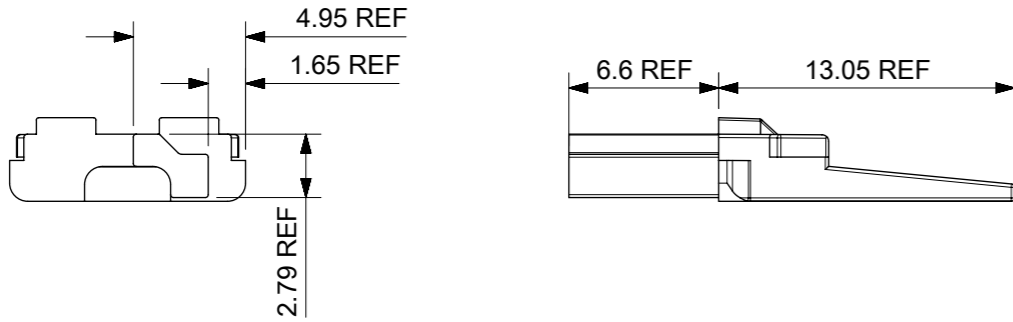
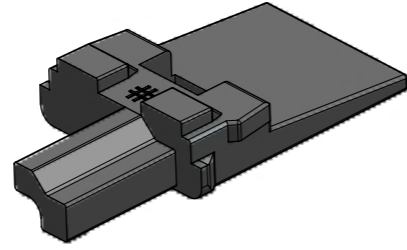
COLOUR/KEYING  
 03 = GREEN (NO KEY)  
 12 = GREY A KEY  
 21 = BLACK B KEY  
 33 = GREEN C KEY  
 47 = BROWN D KEY

**NOTES**  
 1. MATERIAL NYLON 30%GF  
 2. PART NUMBER 934471003 SHOWN

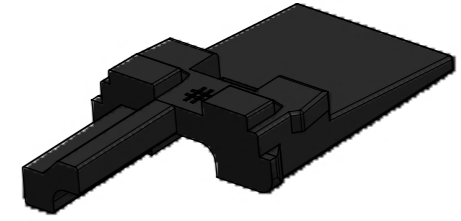
INSPECTION NUMBERS 51-100 RESERVED FOR SHEET 4  
 LAST INSPECTION NUMBER 54

SYMBOLS	THIS DRAWING CONTAINS INFORMATION THAT IS PROPRIETARY TO MOLEX ELECTRONIC TECHNOLOGIES, LLC AND SHOULD NOT BE USED WITHOUT WRITTEN PERMISSION		CURRENT REV DESC: SEE LONG TEXT			<b>molex</b>		
	DIMENSION UNITS	SCALE	EC NO: 603740					
▽ = 0	mm	2:1	DRWN: JFLETCHER 2019/05/16			2CCT ML-XT CV CONNECTOR		
▽ = 0	GENERAL TOLERANCES (UNLESS SPECIFIED)		CHK'D: AJOBRIEN 2019/07/02			PRODUCT CUSTOMER DRAWING		
▽ = 0	ANGULAR TOL ± 2.0°		APPR: IOCONNELL 2019/07/24			DOCUMENT NUMBER		
▽ = 0	4 PLACES ±		INITIAL REVISION:			934430010		
▽ = 0	3 PLACES ±		DRWN: KREILLY 2015/06/12			DOC TYPE DOC PART REVISION		
▽ = 0	2 PLACES ± 0.1		APPR: JDWALLACE 2015/09/15			PSD 000 B1		
▽ = 0	1 PLACE ± 0.2		MATERIAL NUMBER			CUSTOMER		
▽ = 0	0 PLACES ±		SERIES			SHEET NUMBER		
▽ = 0	DRAFT WHERE APPLICABLE MUST REMAIN WITHIN DIMENSIONS		THIRD ANGLE PROJECTION	DRAWING	SERIES	MATERIAL NUMBER	CUSTOMER	SHEET NUMBER
▽ = 0				A3-SIZE	93443	SEE CHART	GENERAL MARKET	4 OF 9

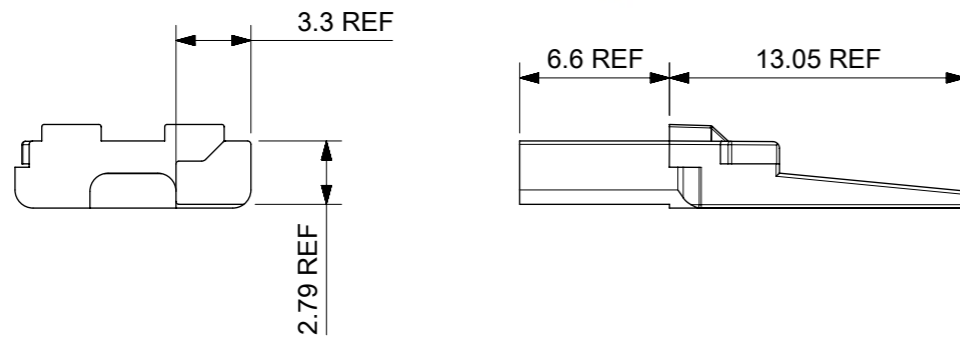
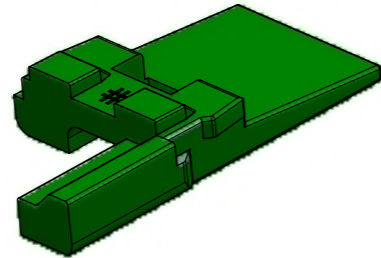
934471012 (KEY A)  
COLOUR GREY



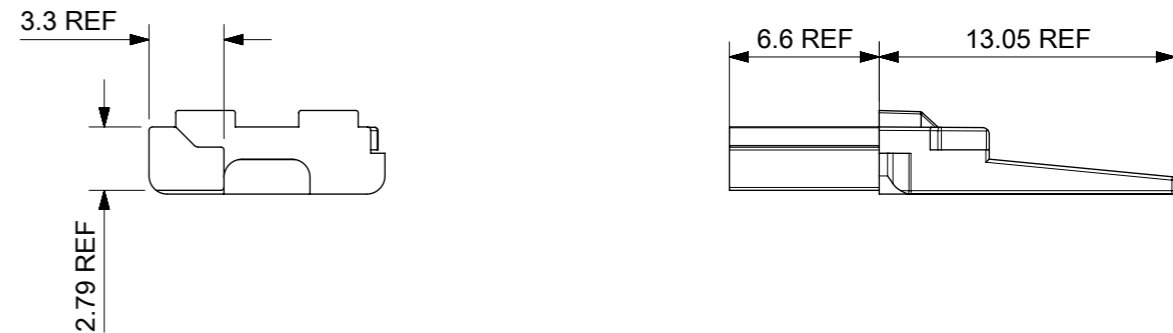
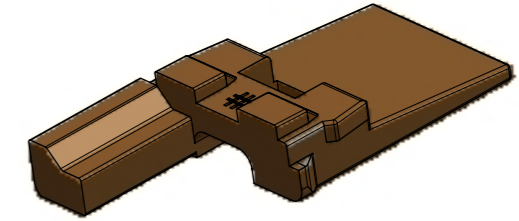
934471021 (KEY B)  
COLOUR BLACK



934471033 (KEY C)  
COLOUR GREEN



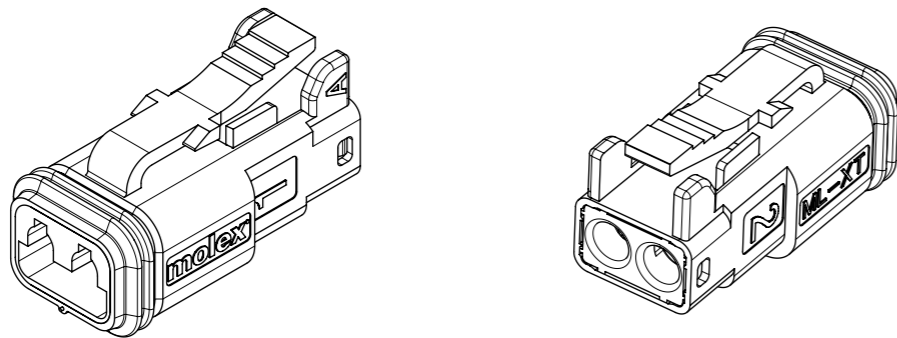
934471047 (KEY D)  
COLOUR BROWN



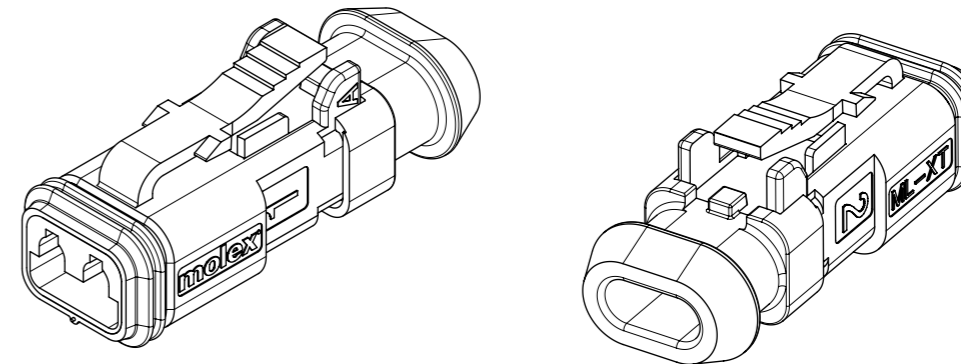
NOTES:  
1. MATERIAL PA66 30%GF  
2. SEE SHEET 4 FOR UNSPECIFIED NOTES & DIMENSIONS

SYMBOLS	THIS DRAWING CONTAINS INFORMATION THAT IS PROPRIETARY TO MOLEX ELECTRONIC TECHNOLOGIES, LLC AND SHOULD NOT BE USED WITHOUT WRITTEN PERMISSION		CURRENT REV DESC: SEE LONG TEXT			<b>molex</b>		
	DIMENSION UNITS	SCALE	EC NO: 603740					
▽ = 0	mm	2:1	DRWN: JFLETCHER 2019/05/16			2CCT ML-XT CV CONNECTOR		
▽ = 0	GENERAL TOLERANCES (UNLESS SPECIFIED)		CHK'D: AJOBRIEN 2019/07/02			PRODUCT CUSTOMER DRAWING		
▽ = 0	ANGULAR TOL ± 2.0°		APPR: IOCONNELL 2019/07/24			DOCUMENT NUMBER		
▽ = 0	4 PLACES ±		INITIAL REVISION:			934430010		
▽ = 0	3 PLACES ±		DRWN: KREILLY 2015/06/12			DOC TYPE DOC PART REVISION		
▽ = 0	2 PLACES ± 0.1		APPR: JDWALLACE 2015/09/15			PSD 000 B1		
▽ = 0	1 PLACE ± 0.2		DRAFT WHERE APPLICABLE MUST REMAIN WITHIN DIMENSIONS			MATERIAL NUMBER CUSTOMER SHEET NUMBER		
▽ = 0	0 PLACES ±		THIRD ANGLE PROJECTION			SEE CHART GENERAL MARKET 5 OF 9		
▽ = 0			DRAWING SERIES			A3-SIZE 93443		

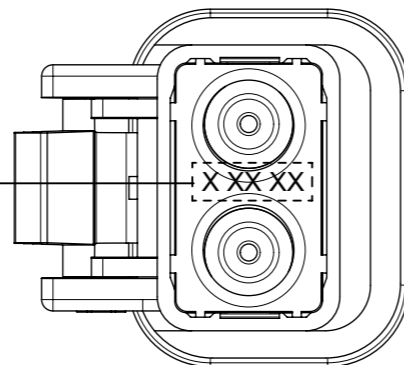
2CCT PLUG CONNECTOR



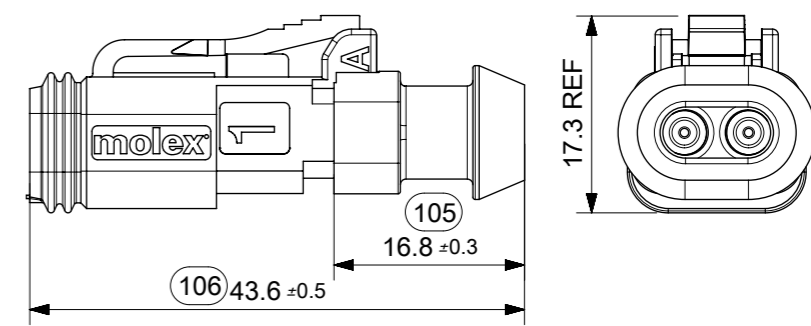
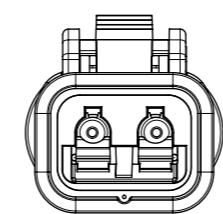
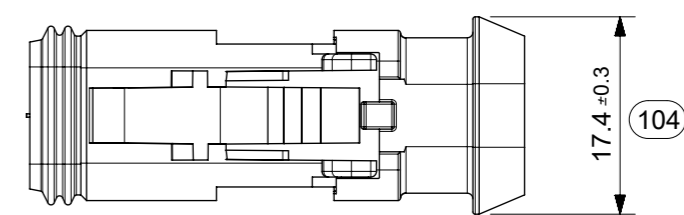
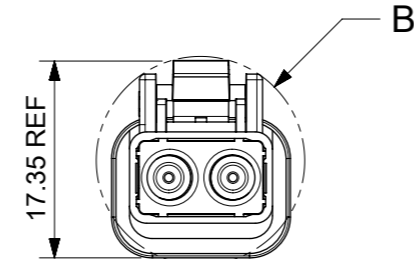
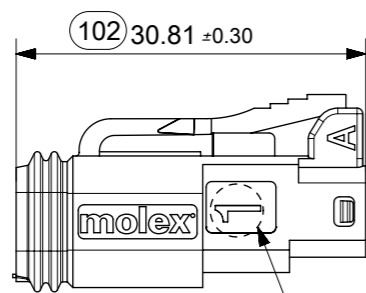
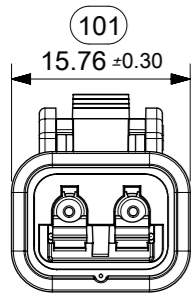
2CCT PLUG CONNECTOR WITH HEATSHRINK HOUSING ULTRASONICALLY WELDED IN PLACE



DATE CODE: X XX XX  
 X — DAY: 1 - 7  
 X — WEEK: 01 - 52  
 X — YEAR: 00 - 99  
 # — MACHINE NO. 1  
 EXAMPLE: 11315 = DAY 1, WEEK 13, YEAR 15  
 i.e. 23RD OF MARCH 2015



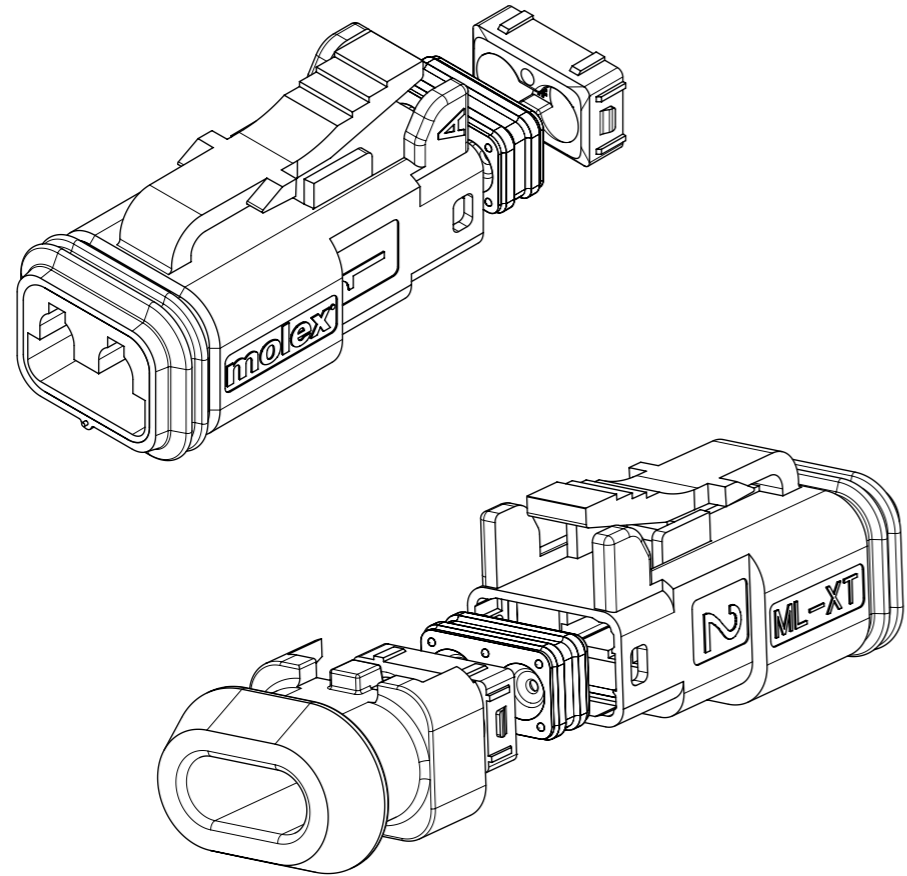
(ROTATED 90°)  
 DETAIL B  
 SCALE 3:1



- NOTES
- MATERIAL  
 HOUSING: NYLON 30%GF  
 PLUG SEAL: SILICONE RUBBER  
 BACK SEAL: HIGH CONSISTENCY RUBBER
  - CIRCUIT IDENTIFICATION
  - JACKET RANGE LARGE = 2.23mm - 3.68mm (SEAL COLOUR: GREEN)  
 JACKET RANGE SMALL = 1.20mm - 3.05mm (SEAL COLOUR: BURNT ORANGE)
  - SEE SHEET 7 FOR FINAL PART NUMBER DESIGNATION

INSPECTION NUMBERS 101-150 RESERVED FOR SHEET 6  
 LAST INSPECTION NUMBER 106.  
 INSPECTION NUMBERS 103 & 107 DELETED.

SYMBOLS		THIS DRAWING CONTAINS INFORMATION THAT IS PROPRIETARY TO MOLEX ELECTRONIC TECHNOLOGIES, LLC AND SHOULD NOT BE USED WITHOUT WRITTEN PERMISSION		CURRENT REV DESC: SEE LONG TEXT		<b>molex</b>			
▽ = 0	mm	SCALE	2:1					2CCT ML-XT CV CONNECTOR	
▽ = 0	GENERAL TOLERANCES (UNLESS SPECIFIED)				EC NO: 603740		PRODUCT CUSTOMER DRAWING		
▽ = 0	ANGULAR TOL ± 2.0°				DRWN: JFLETCHER 2019/05/16		DOCUMENT NUMBER		
▽ = 0	4 PLACES ±				CHK'D: AJOBRIEN 2019/07/02		DOC TYPE		
▽ = 0	3 PLACES ±				APPR: IOCONNELL 2019/07/24		DOC PART		
▽ = 0	2 PLACES ± 0.1				INITIAL REVISION:		REVISION		
▽ = 0	1 PLACE ± 0.2				DRWN: KREILLY 2015/06/12		934430010		
▽ = 0	0 PLACES ±				APPR: JDWALLACE 2015/09/15		PSD 000 B1		
■ = 0	DRAFT WHERE APPLICABLE MUST REMAIN WITHIN DIMENSIONS		THIRD ANGLE PROJECTION		DRAWING		MATERIAL NUMBER		
▽ = 0			A3-SIZE		SERIES		CUSTOMER		
				93443		SEE CHART		GENERAL MARKET	
								SHEET NUMBER	
								6 OF 9	



2CCT PLUG CONNECTOR

SERIES NO. 93445 1 - --

CIRCUIT SIZE  
1 = 2CCT

KEYING/ASSY OPTIONS

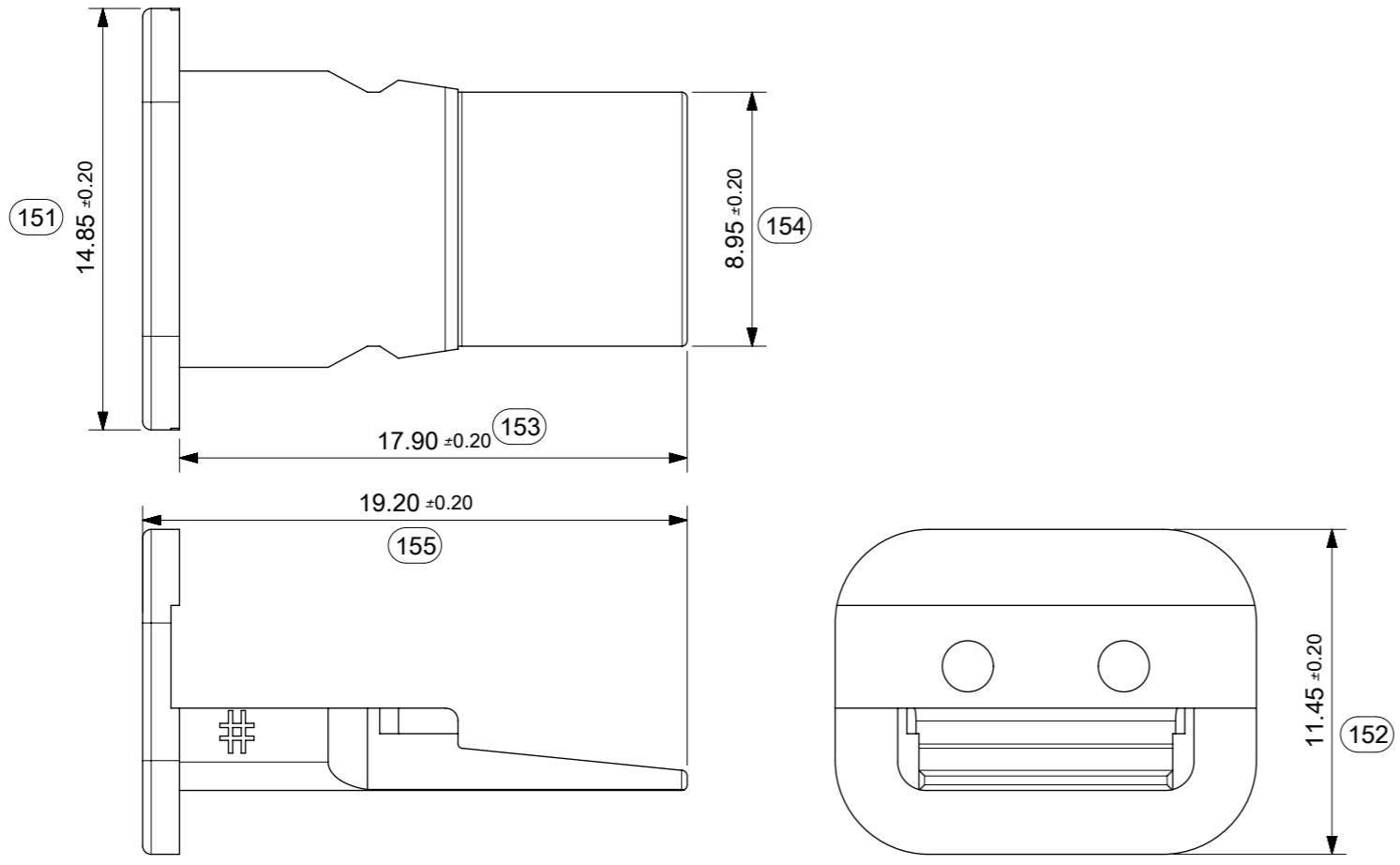
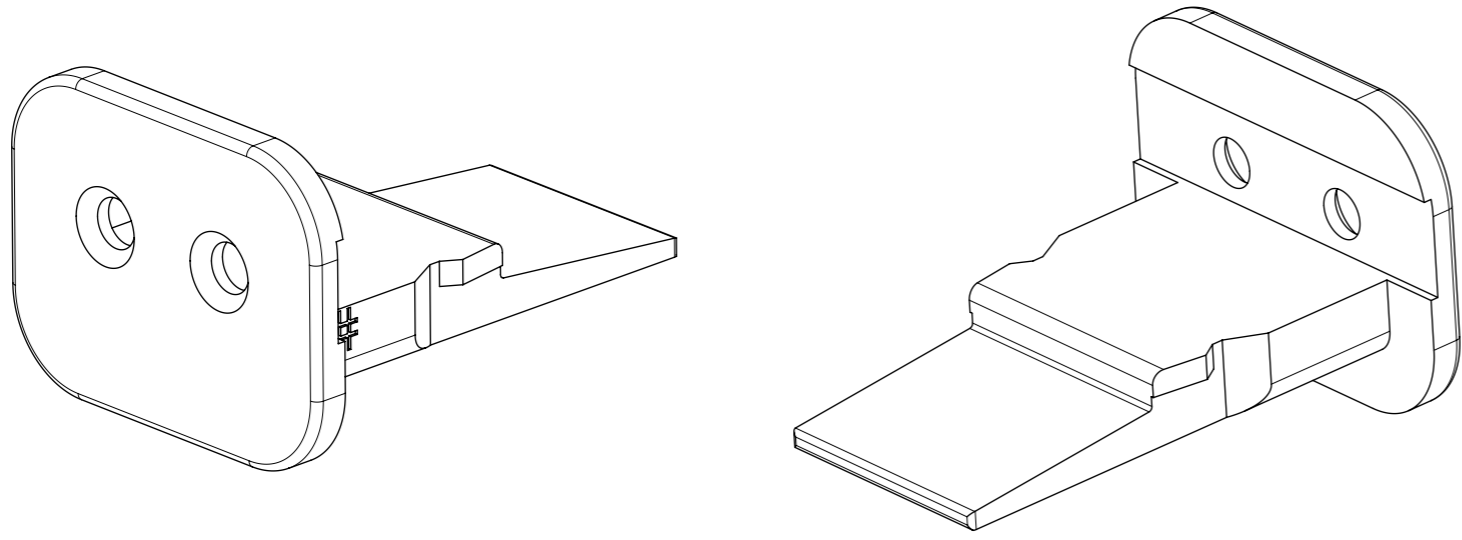
- 1 = PLUG ASSEMBLY FOR WIRE JACKET RANGE  $\varnothing$ 1.20mm - 3.05mm (NOTE 2)
- 2 = PLUG ASSEMBLY FOR WIRE JACKET RANGE:  $\varnothing$ 2.23mm - 3.68mm (NOTE 2)
- 5 = PLUG ASSEMBLY & HEATSHR FOR WIRE JACKET RANGE:  $\varnothing$ 1.20mm - 3.05mm (NOTE 3)
- 6 = PLUG ASSEMBLY & HEATSHR FOR WIRE JACKET RANGE:  $\varnothing$ 2.23mm - 3.68mm (NOTE 3)

- COLOUR
- 01 = BLACK
  - 02 = GREY
  - 03 = GREEN
  - 04 = BLUE
  - 05 = YELLOW
  - 06 = WHITE
  - 07 = BROWN
  - 08 = ORANGE
  - 09 = RED

EXAMPLE:  
2CCT PLUG BLACK WITH LARGE SEAL (NOTE 4), AND HEATSHRINK = 93445-1601

- Notes:
1. SEE SHEET 2 FOR UNSPECIFIED NOTES AND DIMENSIONS
  2. BACK COVER COLOUR: BLACK
  3. HEATSHRINK COLOUR: BLACK
  4. JACKET RANGE LARGE = 2.23mm - 3.68mm (SEAL COLOUR: GREEN)  
JACKET RANGE SMALL = 1.20mm - 3.05mm (SEAL COLOUR: BURNT ORANGE)

SYMBOLS	THIS DRAWING CONTAINS INFORMATION THAT IS PROPRIETARY TO MOLEX ELECTRONIC TECHNOLOGIES, LLC AND SHOULD NOT BE USED WITHOUT WRITTEN PERMISSION		CURRENT REV DESC: SEE LONG TEXT			<b>molex</b>		
	DIMENSION UNITS	SCALE						
▽ = 0	mm	2:1	EC NO: 603740			DOCUMENT NUMBER		
▽ = 0	GENERAL TOLERANCES (UNLESS SPECIFIED)		DRWN: JFLETCHER 2019/05/16			934430010		
▽ = 0	ANGULAR TOL ± 2.0°		CHK'D: AJOBRIEN 2019/07/02			DOC TYPE DOC PART REVISION		
▽ = 0	4 PLACES ±		APPR: IOCONNELL 2019/07/24			PSD 000 B1		
▽ = 0	3 PLACES ±		INITIAL REVISION:			MATERIAL NUMBER		
▽ = 0	2 PLACES ± 0.1		DRWN: KREILLY 2015/06/12			CUSTOMER		
▽ = 0	1 PLACE ± 0.2		APPR: JDWALLACE 2015/09/15			SHEET NUMBER		
▽ = 0	0 PLACES ±		DRAFT WHERE APPLICABLE MUST REMAIN WITHIN DIMENSIONS			7 OF 9		
▽ = 0	THIRD ANGLE PROJECTION		DRAWING		SERIES		SEE CHART	
▽ = 0	A3-SIZE		93443		GENERAL MARKET			



**2CCT PLUG WEDGELOCK**

SERIES NO. 93448 1 0 --

CIRCUIT SIZE 1 = 2CCT

COLOUR/KEYING  
 03 = GREEN (NO KEY)  
 08 = ORANGE (NO KEY)  
 12 = GREY A KEY  
 21 = BLACK B KEY  
 33 = GREEN C KEY  
 47 = BROWN D KEY

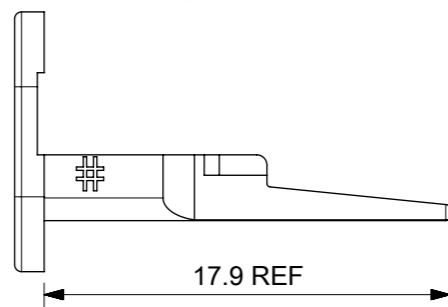
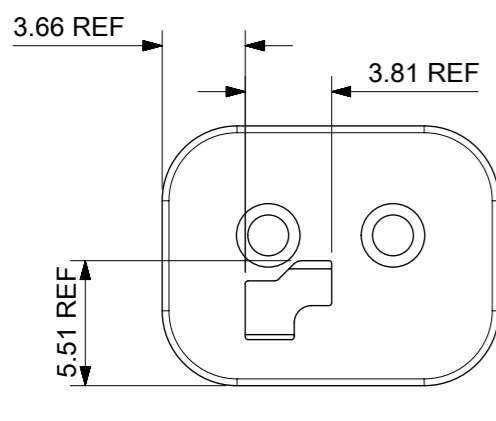
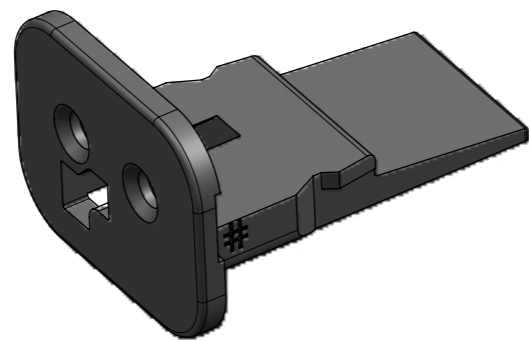
**NOTES**  
 1. MATERIAL NYLON 30%GF  
 2. PART NUMBER 934481003 SHOWN

INSPECTION NUMBERS 151-200 RESERVED FOR SHEET 8  
 LAST INSPECTION NUMBER 155

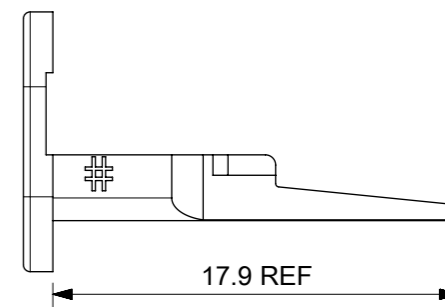
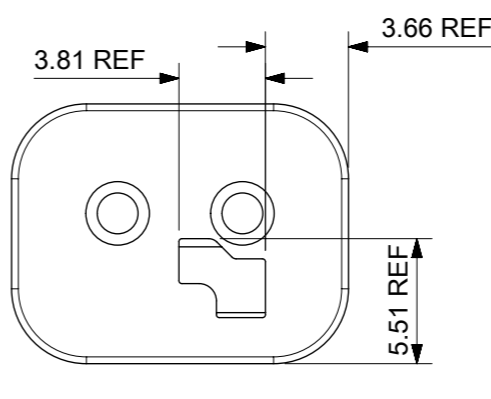
<b>SYMBOLS</b> ▽ = 0 ▽ = 0 ▽ = 0 ▽ = 0 ▽ = 0 ▽ = 0 ▽ = 0 ▽ = 0 ▽ = 0 ▽ = 0 ▽ = 0 ▽ = 0	THIS DRAWING CONTAINS INFORMATION THAT IS PROPRIETARY TO MOLEX ELECTRONIC TECHNOLOGIES, LLC AND SHOULD NOT BE USED WITHOUT WRITTEN PERMISSION	CURRENT REV DESC: SEE LONG TEXT							
	DIMENSION UNITS	SCALE	EC NO: 603740				DOCUMENT NUMBER	DOC TYPE	DOC PART
	mm	2:1	DRWN: JFLETCHER 2019/05/16		934430010	PSD	000	B1	
	GENERAL TOLERANCES (UNLESS SPECIFIED)		CHK'D: AJOBRIEN 2019/07/02		PRODUCT CUSTOMER DRAWING				
ANGULAR TOL ± 2.0°		APPR: IOCONNELL 2019/07/24		INITIAL REVISION:					
4 PLACES ±		DRWN: KREILLY 2015/06/12		MATERIAL NUMBER				CUSTOMER	SHEET NUMBER
3 PLACES ±		APPR: JDWALLACE 2015/09/15		SEE CHART				GENERAL MARKET	8 OF 9
2 PLACES ± 0.1		THIRD ANGLE PROJECTION		DRAWING		SERIES		MATERIAL NUMBER	
1 PLACE ± 0.2		DRAWING		A3-SIZE		93443		CUSTOMER	
0 PLACES ±		DRAFT WHERE APPLICABLE MUST REMAIN WITHIN DIMENSIONS		DRAWING		SERIES		MATERIAL NUMBER	
DRAFT WHERE APPLICABLE MUST REMAIN WITHIN DIMENSIONS		THIRD ANGLE PROJECTION		DRAWING		SERIES		MATERIAL NUMBER	



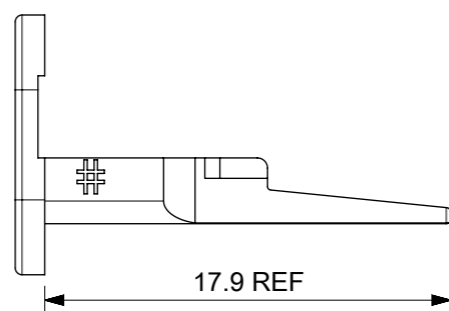
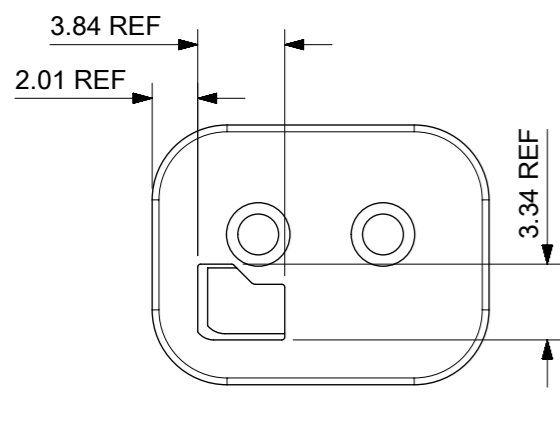
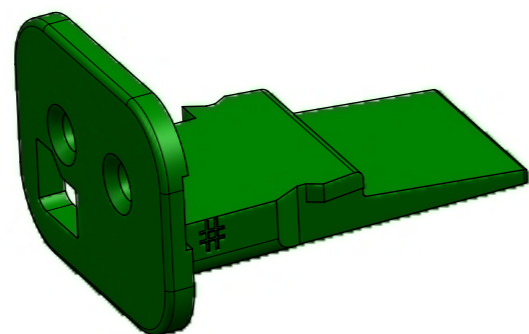
934481012 (KEY A)  
COLOUR GREY



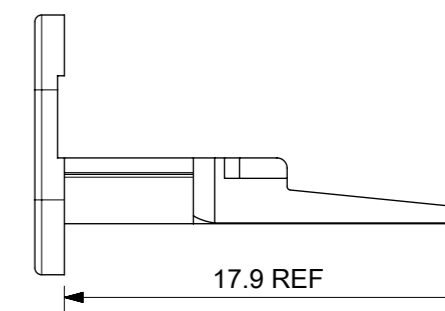
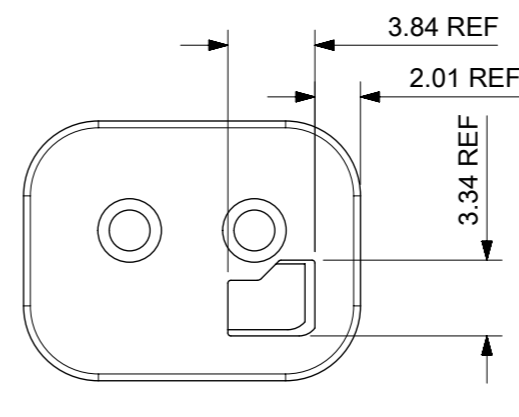
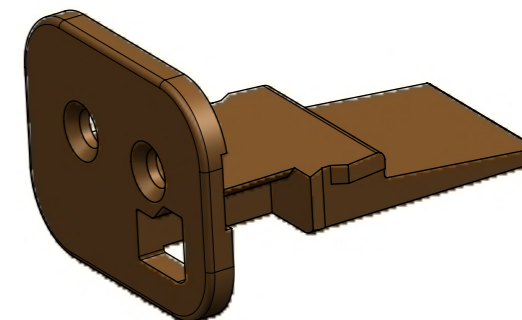
934481021 (KEY B)  
COLOUR BLACK



934481033 (KEY C)  
COLOUR GREEN



934481047 (KEY D)  
COLOUR BROWN



NOTES:  
1. MATERIAL PA66 30%GF  
2. SEE SHEET 8 FOR UNSPECIFIED NOTES & DIMENSIONS

SYMBOLS		THIS DRAWING CONTAINS INFORMATION THAT IS PROPRIETARY TO MOLEX ELECTRONIC TECHNOLOGIES, LLC AND SHOULD NOT BE USED WITHOUT WRITTEN PERMISSION	
SYMBOL	DESCRIPTION	SCALE	CURRENT REV DESC: SEE LONG TEXT
▽ = 0	DIMENSION UNITS	mm	2:1
▽ = 0	GENERAL TOLERANCES (UNLESS SPECIFIED)		
▽ = 0	ANGULAR TOL	± 2.0°	
▽ = 0	4 PLACES	±	EC NO: 603740
▽ = 0	3 PLACES	±	DRWN: JFLETCHER 2019/05/16
▽ = 0	2 PLACES	± 0.1	CHK'D: AJOBRIEN 2019/07/02
▽ = 0	1 PLACE	± 0.2	APPR: IOCONNELL 2019/07/24
▽ = 0	0 PLACES	±	INITIAL REVISION:
▽ = 0	DRAFT WHERE APPLICABLE MUST REMAIN WITHIN DIMENSIONS	THIRD ANGLE PROJECTION	DRWN: KREILLY 2015/06/12
		DRAWING	APPR: JDWALLACE 2015/09/15
		SERIES	93443
		MATERIAL NUMBER	SEE CHART
		CUSTOMER	GENERAL MARKET
		SHEET NUMBER	9 OF 9

**molex**

2CCT ML-XT CV CONNECTOR

PRODUCT CUSTOMER DRAWING

DOCUMENT NUMBER	DOC TYPE	DOC PART	REVISION
934430010	PSD	000	B1