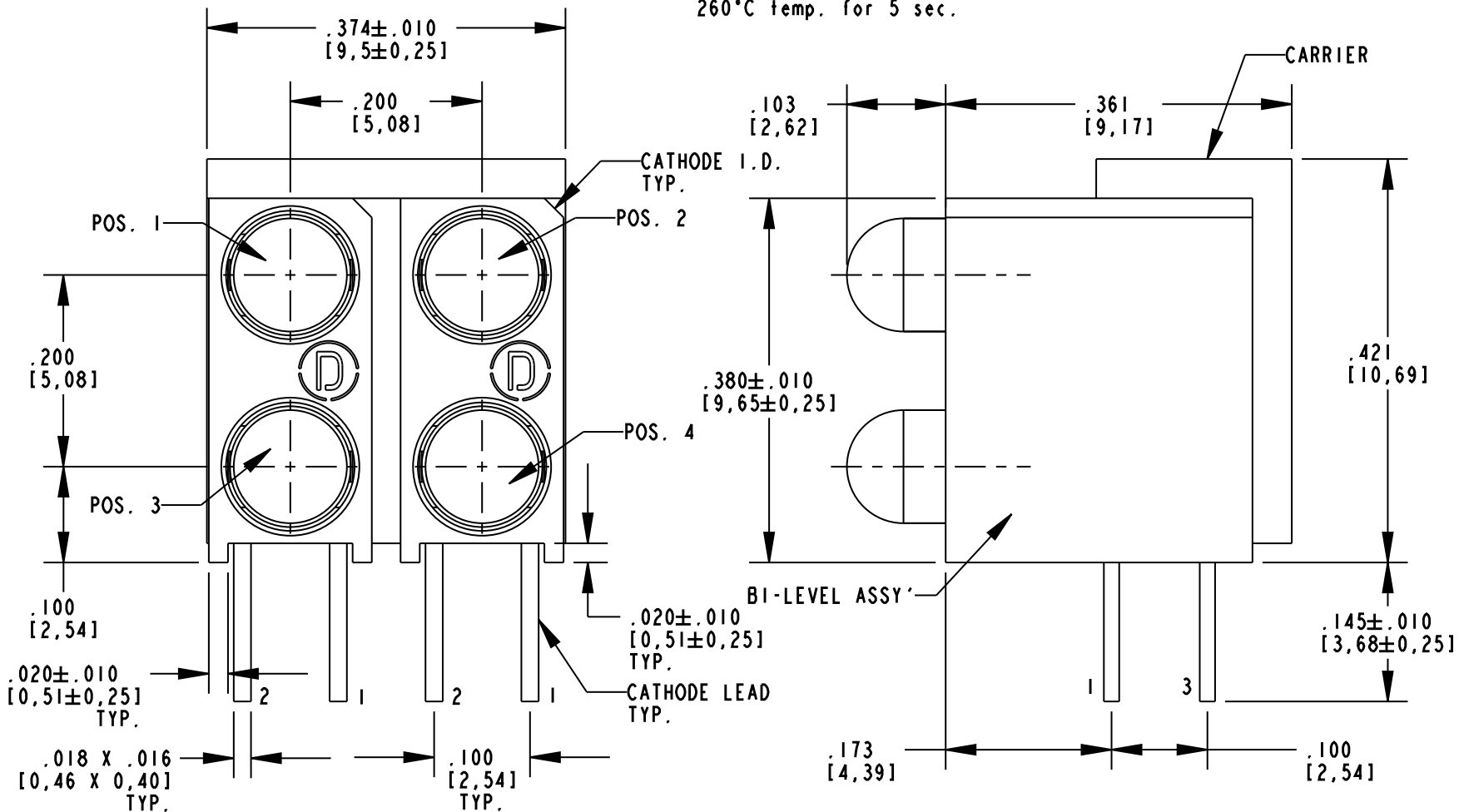


LED COLOR			
POSITION 1	POSITION 2	POSITION 3	POSITION 4
GREEN	GREEN	RED	YELLOW

RoHS COMPLIANT 553-0004-810F

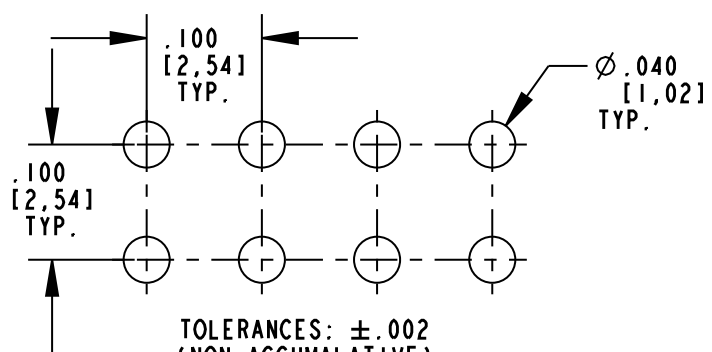
Part Numbers with the "F" suffix ending are RoHS Compliant. Packaging is marked with "RoHS Compliant" label or equivalent markings. Parts can be wave soldered, dip soldered or hand soldered using typical lead-free soldering process with max 260°C temp. for 5 sec.

REV	ECN NO	REVISIONS	DRN	CKD	APP	DATE
A		NEW RELEASE	AJF	KLJ	NO	4-5-10

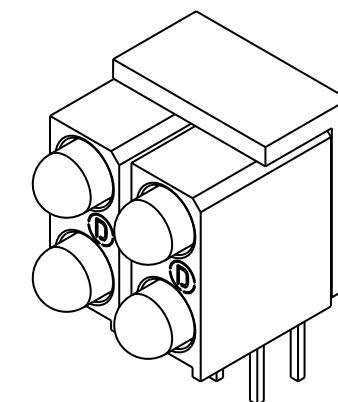
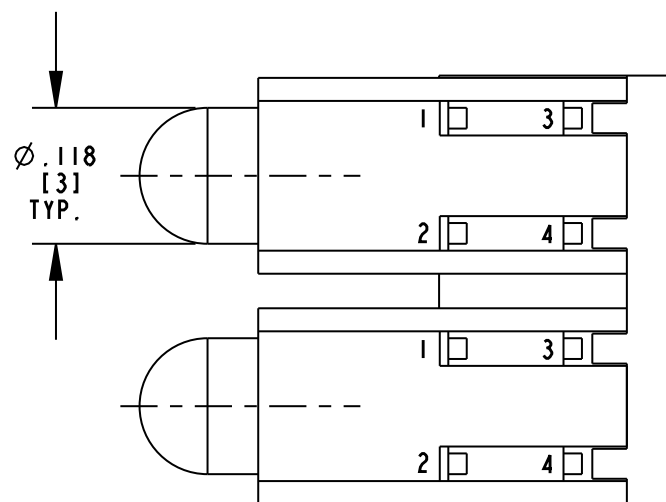


OPERATING CHARACTERISTICS AT 25°C AMBIENT						
LED CHARACTERISTICS	LED COLOR	MIN.	TYP.	MAX.	UNITS	TEST CONDITIONS
LUMINOUS INTENSITY	GREEN	32.0	50.0		mcd	I _f = 10 mA
	RED	8.7	30.0			
	YELLOW	10.0		50.0		
PEAK WAVELENGTH	GREEN		565		nm	
	RED		635			
	YELLOW		585			
FORWARD VOLTAGE	GREEN		2.1	2.8	V	I _f = 20 mA
	RED		2.0	2.8		
	YELLOW		2.1	2.8		
REVERSE CURRENT	ALL			100	μA	V _r = 5 V
VIEWING ANGLE	ALL		45		DEGREES	

ABSOLUTE MAXIMUM RATINGS AT 25°C AMBIENT				GREEN	RED	YELLOW	UNITS
POWER DISSIPATION				100	100	60	mW
DERATE LINEARLY FROM 50°C				0.40	0.40	0.25	mA/°C
CONTINUOUS FORWARD CURRENT				30	30	20	mA
PEAK FORWARD CURRENT (1/10 DUTY CYCLE, 0.1ms PULSE WIDTH)				120	120	80	mA
REVERSE VOLTAGE				5			V
LEAD SOLDERING TEMPERATURE (1/16" FROM BODY) FOR 5 SEC.				260			°C
OPERATING TEMPERATURE				-55 TO +100			°C
STORAGE TEMPERATURE				-55 TO +100			°C



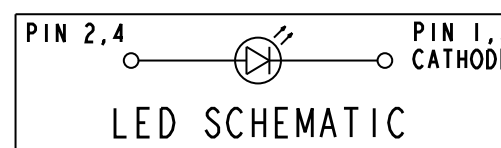
TOLERANCES: ±.002 (NON-ACCUMULATIVE)
RECOMMENDED HOLE PATTERN GAUGE



SCALE 3.000

NOTES:

- LED EPOXY COLOR: TINTED, NON-DIFFUSED.
- LED LEAD DIMENSIONS SHOWN ARE MEASURED AT HOUSING EXIT.
- LEADS TO FIT INTO HOLES SPACED AS PER PATTERN.
- PIN NUMBERS FOR REFERENCE ONLY, DESIGNATION NON-EXISTENT ON PART.
- DIALIGHT PART NUMBER: 553-0004-810F.
- THIS ASSEMBLY CONTAINS ELECTROSTATIC DISCHARGE SENSITIVE DEVICES (ESDS). MAINTAIN ALL PRECAUTIONARY MEASURES DURING ASSEMBLY, HANDLING, AND STORAGE IN ACCORDANCE WITH IPC-A-610.



ATTENTION:
OBSERVE PRECAUTIONS FOR
HANDLING ELECTROSTATIC
SENSITIVE DEVICES

THIS DRAWING AND THE CONTENTS HEREIN ARE CONFIDENTIAL AND THE SOLE PROPERTY OF DIALIGHT. REPRODUCTION OF THIS DRAWING OR CONSTRUCTION OF ANY PARTS WITHIN THIS DRAWING ARE FORBIDDEN WITHOUT THE WRITTEN CONSENT OF DIALIGHT.

SCALE: 6.000	DRAWING NUMBER	REV
ALL DIM'S IN: INCHES (MM)	C-17838	A
TOLERANCES: UNLESS OTHERWISE SPECIFIED	TITLE	
FRACTIONS: ±1/64	2 X 2 BI-LEVEL CBI ARRAY	
DECIMALS (.XX): ±.02	MATERIAL	
DECIMALS (.XXX): ±.015	-	
ANGLES: ±3°	Dialight	
FINISH:	1501 ROUTE 34 SOUTH FARMINGDALE, NJ 07727	
FSCM 83330	SHEET 1 OF 1	FAMILY TABLE: