

Contact Layout

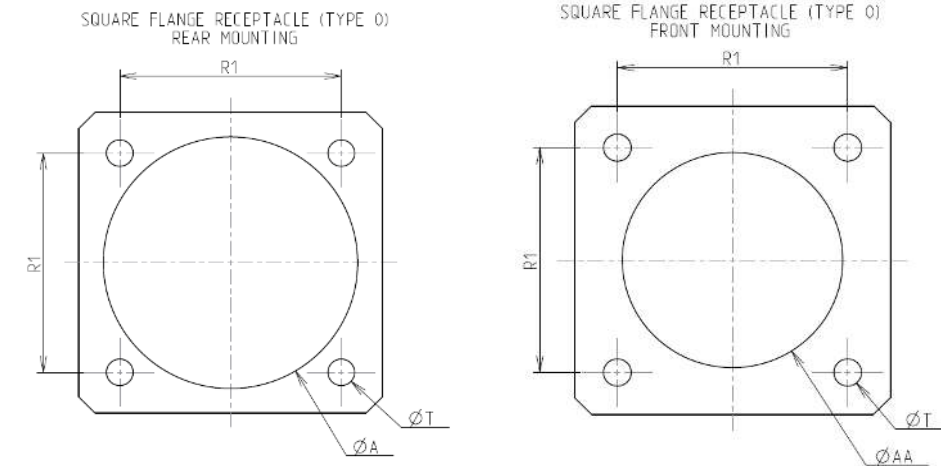


Contacts (Insert arrangement 9-35)		
Contact position ID	Contact location	
	X-axis (mm)	Y-axis (mm)
1	+045 (1.14)	+078 (1.98)
2	+078 (1.98)	-045 (1.14)
3	+000 (0.00)	-090 (2.29)
4	-078 (1.98)	-045 (1.14)
5	-045 (1.14)	+078 (1.98)
6	+000 (0.00)	+000 (0.00)

(Applicable to MIL-DTL-38999 and SAE-AS29600)

Shell size	Arrangement no.	Number of contacts	Size contacts	Service rating	Contact location	Supersedes
9	-35	6	22D	M	All	MS27525-35

Panel Cutout



Dim	Nominal
ØA	16.66 min
ØAA	13.11 min
R1	18.26
ØT	3.25 ±0.13

SOURIAU shall not be liable for any non-conformity or damage due to a use of the Products which does not comply with the Specifications issued by either of the Parties or by a third party (professional recommendation, technical notice.)

Country	Jurisdiction & Control List
FR	Not Listed

PN: 8D009F35BB

A	03-10-2016	First Release	
ISS	DATE	Latest modification - by	MOD N°
Designed By:		Date:	CUSTOMER DRAWING
TITLE	Aluminium Receptacle 8D series		
SCALE		General linear Tolerances: ±--	NPRDS / PROJECT 859
NA			
SOURIAU	WWW.SOURIAU.COM		This document is the property of SOURIAU it must not be reproduced or communicated without permission
FORMAT	SOURIAU DRG N° 8D009F35BB-C		SHEET 2/2