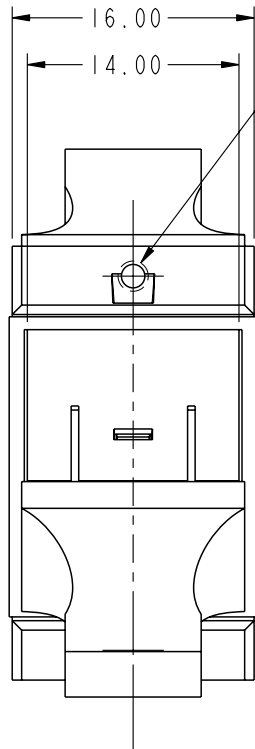


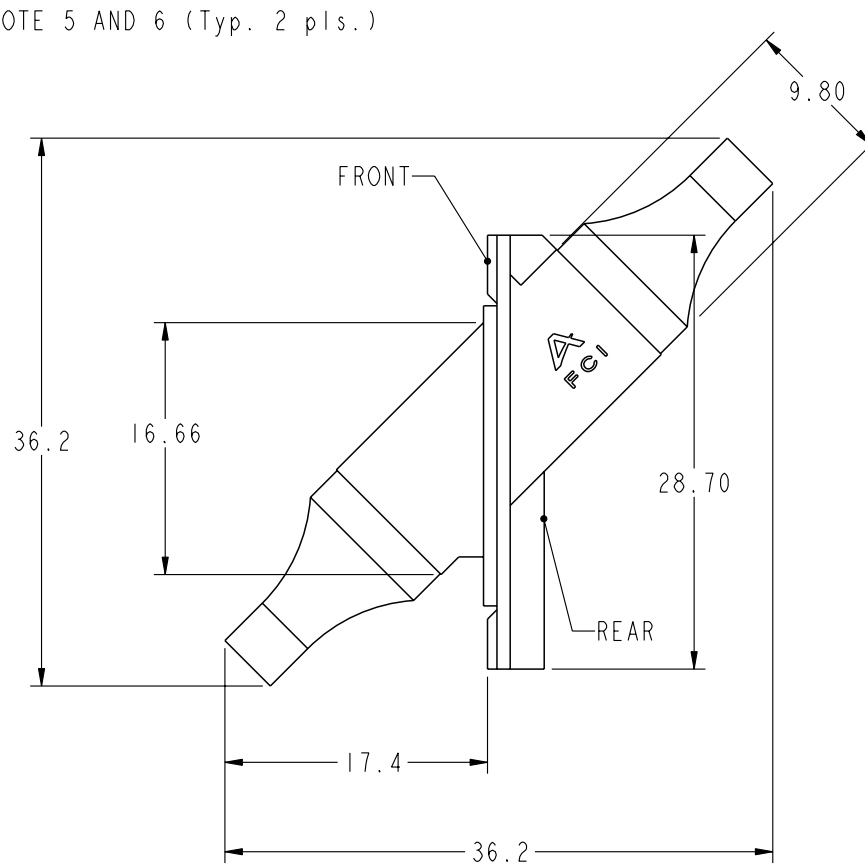


This document is the property of and embodies
 CONFIDENTIAL and PROPRIETARY information of FCI.
 No part of the information shown on this
 document may be used in any way or disclosed
 to others without the written consent of FCI.
 Copyright FCI.

| | |
|----------------|------------|
| PRODUCT NUMBER | STYLE |
| 10009255-001 | NO SHUTTER |

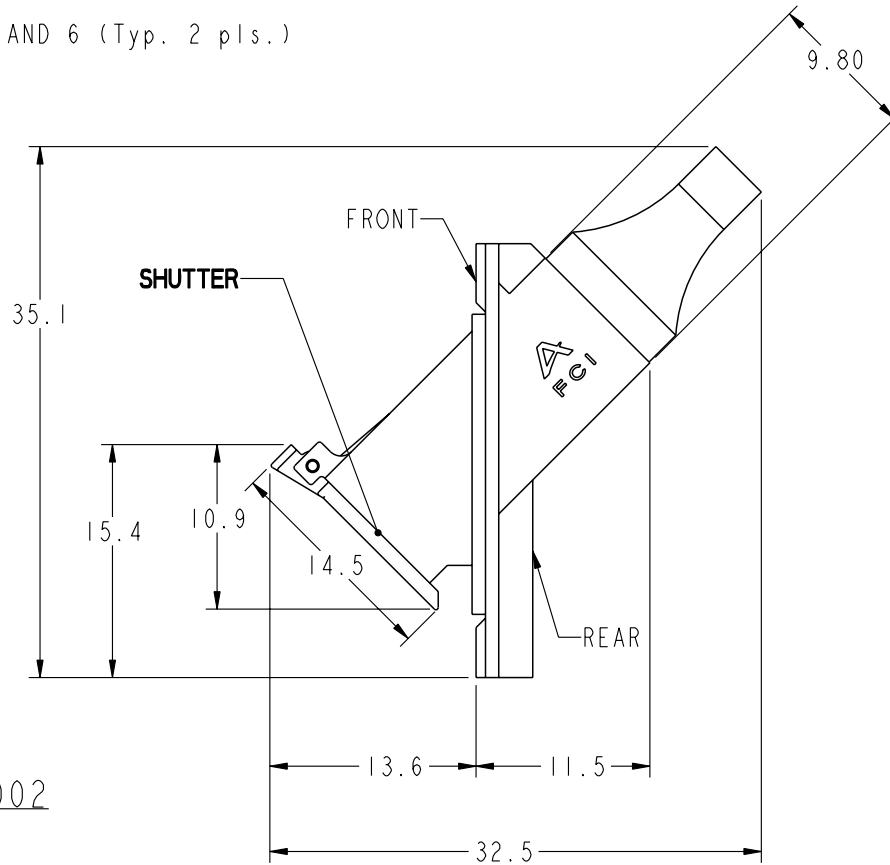
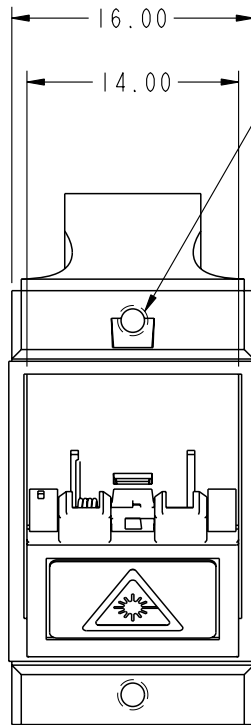


10009255-001






| | | | | | | | | | | | |
|-------------|----------|----------------|------------|------------|--------------|---------------------------------------|--------|-----------|----------------|-----------------------------------|--|
| mat'l code | | | | SEE NOTE 4 | | tolerances unless otherwise specified | | CUSTOMER | | www.fciconnect.com | |
| ltr | ecm no. | dr | date | linear | 0.X ±0.3 | | COPY | | projection | title | |
| A | V21443 | BKB | 9/06/02 | | 0.XX ±0.10 | | MM | | | 45° MPO DIE CAST ADAPTER ASSEMBLY | |
| B | V03-0262 | HN | 05/20/03 | angles | 0.XXX ±0.050 | | scale | | product family | | |
| C | V05-0701 | DAI | 07/26/05 | | 0° ±2° | | 2:1 | | FIBER OPTICS | | |
| D | V06-0182 | DAI | 2006-05-12 | dr | B. BAHN | 6/13/02 | size | | code | | |
| | | | | enrg | B. TROSTLE | 6/13/02 | dwg no | | 213 | | |
| | | | | chr | B. TROSTLE | 6/13/02 | A | | 10009255 | | |
| | | | | appd | D. BUSH | 6/13/02 | sheet | | 1 of 5 | | |
| sheet index | | revision sheet | D 1 | D 2 | D 3 | D 4 | D 5 | cage code | | 22526 | |

| | |
|----------------|--------------|
| PRODUCT NUMBER | STYLE |
| 10009255-002 | WITH SHUTTER |

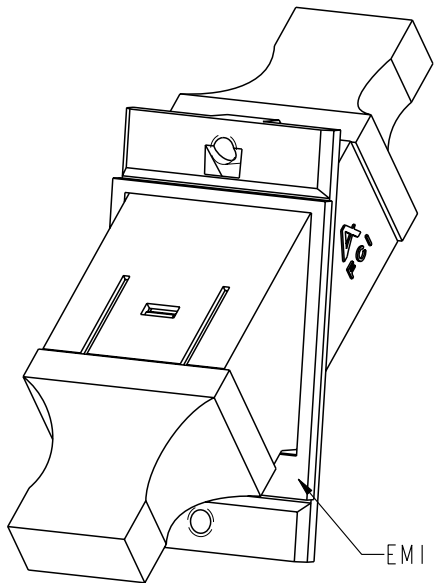


10009255-002

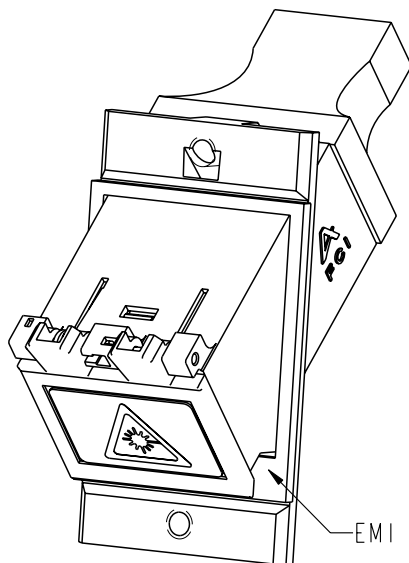
| | | | | | | | | | |
|-------------|----------------|------------|------|---------------------------------------|--------------------|---|-----------------------------------|---|-------|
| mat'l code | | SEE NOTE 4 | | tolerances unless otherwise specified | | CUSTOMER | |  www.fciconnect.com | |
| ltr | ecn no. | dr | date | linear | 0.X ±0.3 | projection | title | | |
| D | | | | | 0.XX ±0.10 |  | 45° MPO DIE CAST ADAPTER ASSEMBLY | | |
| | | | | angles | 0.XXX ±0.050 |  | product family | | code |
| | | | | dr | B. BAHN 6/13/02 | MM | FIBER OPTICS | | 213 |
| | | | | enr | B. TROSTLE 6/13/02 | ← MM → | size | dwg no | sheet |
| | | | | chr | B. TROSTLE 6/13/02 | scale | A | 10009255 | 2 |
| | | | | appd | D. BUSH 6/13/02 | 2:1 | | | |
| sheet index | revision sheet | | | | | | cage code | 22526 | 4 |

This document is the property of and embodies CONFIDENTIAL and PROPRIETARY information of FCI. No part of the information shown on this document may be used in any way or disclosed to others without the written consent of FCI. Copyright FCI.

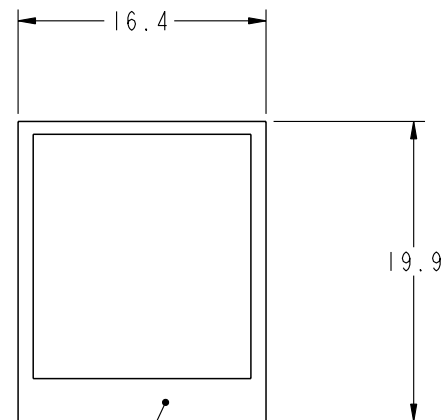
| PRODUCT NUMBER | STYLE |
|----------------|--------------|
| 10009255-001 | NO SHUTTER |
| 10009255-002 | WITH SHUTTER |


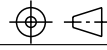



10009255-001



10009255-002



| | | | | | | | | | | | |
|-------------|----------------|----|------|------------|--------------|---------------------------------------|---|---|-----------|---|--|
| mat'l code | | | | SEE NOTE 4 | | tolerances unless otherwise specified | | CUSTOMER | |  www.fciconnect.com | |
| ltr | ecr no. | dr | date | linear | 0.X ±0.3 | | projection | COPY | | title | |
| D | | | | | 0.XX ±0.10 | | |  | | 45° MPO DIE CAST ADAPTER ASSEMBLY | |
| | | | | angles | 0.XXX ±0.050 | |  MM | product family | | code | |
| | | | | | 0° ±2° | | | FIBER OPTICS | | 213 | |
| | | | | dr | B. BAHN | 6/13/02 | scale | size | | sheet | |
| | | | | enr | B. TROSTLE | 6/13/02 | | A | | 3 | |
| | | | | chr | B. TROSTLE | 6/13/02 | | 10009255 | | | |
| | | | | appd | D. BUSH | 6/13/02 | | | | | |
| sheet index | revision sheet | | | | | | | | cage code | | |
| | | | | | | | | | 22526 | | |

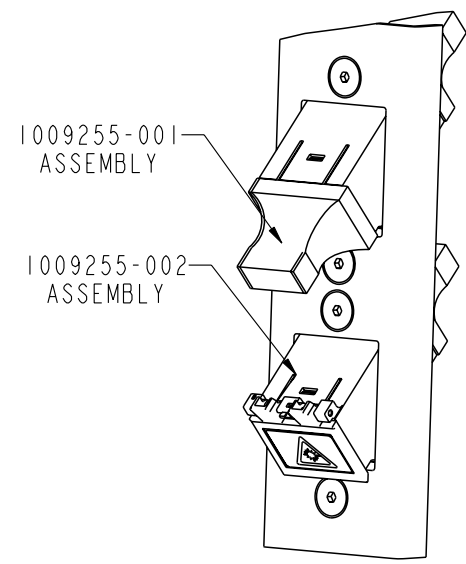
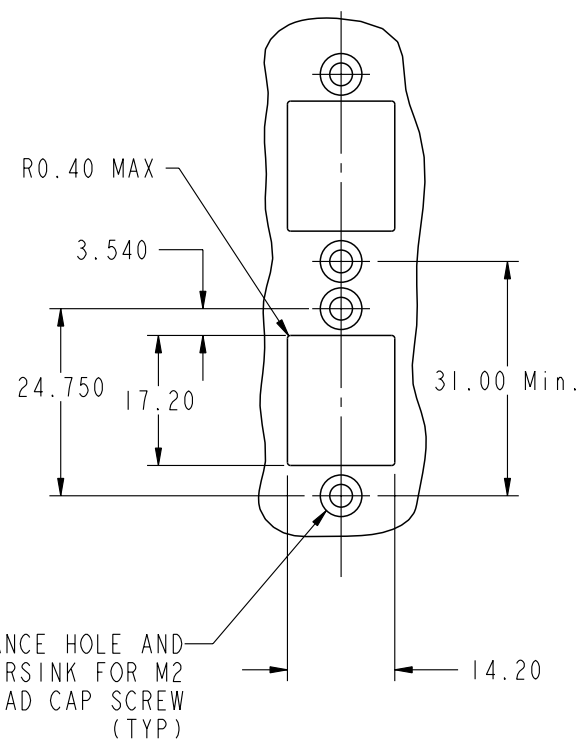
This document is the property of and embodies CONFIDENTIAL and PROPRIETARY information of FCJ. No part of the information shown on this document may be used in any way or disclosed to others without the written consent of FCJ. Copyright FCJ.

1 | 2

3 |

4

| PRODUCT NUMBER | STYLE |
|----------------|--------------|
| 10009255-001 | NO SHUTTER |
| 10009255-002 | WITH SHUTTER |



PANEL CUTOUT REFERENCE



This document is the property of and embodies CONFIDENTIAL and PROPRIETARY information of FCI. No part of the information shown on this document may be used in any way or disclosed to others without the written consent of FCI. Copyright FCI.

| | | | | | | | | | | | |
|-------------|----------------|----|------|------------|--------------|---------------------------------------|-------|----------|------|-----------------------------------|-------|
| mat'l code | | | | SEE NOTE 4 | | tolerances unless otherwise specified | | CUSTOMER | | www.fciconnect.com | |
| ltr | ecr no. | dr | date | linear | 0.X ±0.3 | | COPY | | | title | |
| D | | | | | 0.XX ±0.10 | | MM | | | 45° MPO DIE CAST ADAPTER ASSEMBLY | |
| | | | | | 0.XXX ±0.050 | | ←→ | | | product family FIBER OPTICS | |
| | | | | angles | 0° ±2° | | scale | | size | dwg no | code |
| | | | | dr | B. BAHN | 6/13/02 | 2:1 | | A | 10009255 | 213 |
| | | | | enr | B. TROSTLE | 6/13/02 | | | | | sheet |
| | | | | chr | B. TROSTLE | 6/13/02 | | | | | 4 |
| | | | | appd | D. BUSH | 6/13/02 | | | | | |
| sheet index | revision sheet | | | | | | | | | | |

1 | 2

Pro/E

3 |

cage code 22526

4

| PRODUCT NUMBER | STYLE |
|----------------|--------------|
| 10009255-001 | NO SHUTTER |
| 10009255-002 | WITH SHUTTER |

NOTES:

1. SEE SHEET 3 FOR EMI GASKET, SEE SHEET 4 FOR PANEL CUTOUT.
2. PARTS SHOWN ASSEMBLED FOR REFERENCE ONLY.
3. THICKNESS OF CUSTOMER SUPPLIED PANEL TO BE 1.2mm ±0 .10.
4. MATERIAL AND PLATING:
 ADAPTER - ZINC DIE CAST
 PLATING - BRIGHT NICKEL
 GASKET - CONDUCTIVE ELASTOMER, UL94 V-0
 SHUTTER - POLYCARBONATE, UL94 V-0
5. REQUIRED MOUNTING HARDWARE:
 M2 X 4mm FLATHEAD CAP SCREW (QTY 2)
6. RECOMMENDED SCREW TORQUE SETTING:
 24ozf-in (NOT TO EXCEED 32ozf-in)
7. LF INDICATES PART NUMBER IS LEAD FREE. LEAD FREE PART NUMBERS MEET EUROPEAN UNION DIRECTIVES AND OTHER COUNTRY REGULATIONS AS DESCRIBED IN GS-22-008.
8. PACKAGE ACCORDING TO GS-14-920 FOR LEAD FREE LABELING SPECIFICATIONS REQUIREMENTS.
9. THIS PRODUCT IS NOT INTENDED TO BE EXPOSED TO MANUFACTURING SOLDER PROCESSES.

A

A



This document is the property of and embodies CONFIDENTIAL and PROPRIETARY information of FCI. No part of the information shown on this document may be used in any way or disclosed to others without the written consent of FCI. Copyright FCI.

B

B

| | | | | | | | | | | | |
|-------------|----------------|----|------|------------|--------------|---------------------------------------|------------|----------|----------------|-----------------------------------|--|
| mat'l code | | | | SEE NOTE 4 | | tolerances unless otherwise specified | | CUSTOMER | | www.fciconnect.com | |
| ltr | ecr no. | dr | date | linear | 0.X ±0.3 | | COPY | | | title | |
| D | | | | | 0.XX ±0.10 | | projection | | | 45° MPO DIE CAST ADAPTER ASSEMBLY | |
| | | | | | 0.XXX ±0.050 | | | | | | |
| | | | | angles | 0° ±2° | | | | product family | | |
| | | | | dr | B. BAHN | 6/13/02 | MM | | FIBER OPTICS | | |
| | | | | enr | B. TROSTLE | 6/13/02 | ← MM → | | code | 213 | |
| | | | | chr | B. TROSTLE | 6/13/02 | scale | | size | dwg no | |
| | | | | appd | D. BUSH | 6/13/02 | 2:1 | | A | 10009255 | |
| sheet index | revision sheet | | | | | | | | | sheet | |
| | | | | | | | | | | 5 | |