



**WEIGHT**

.37g/cm (.033 oz/in)

**MATERIALS AND FINISH**

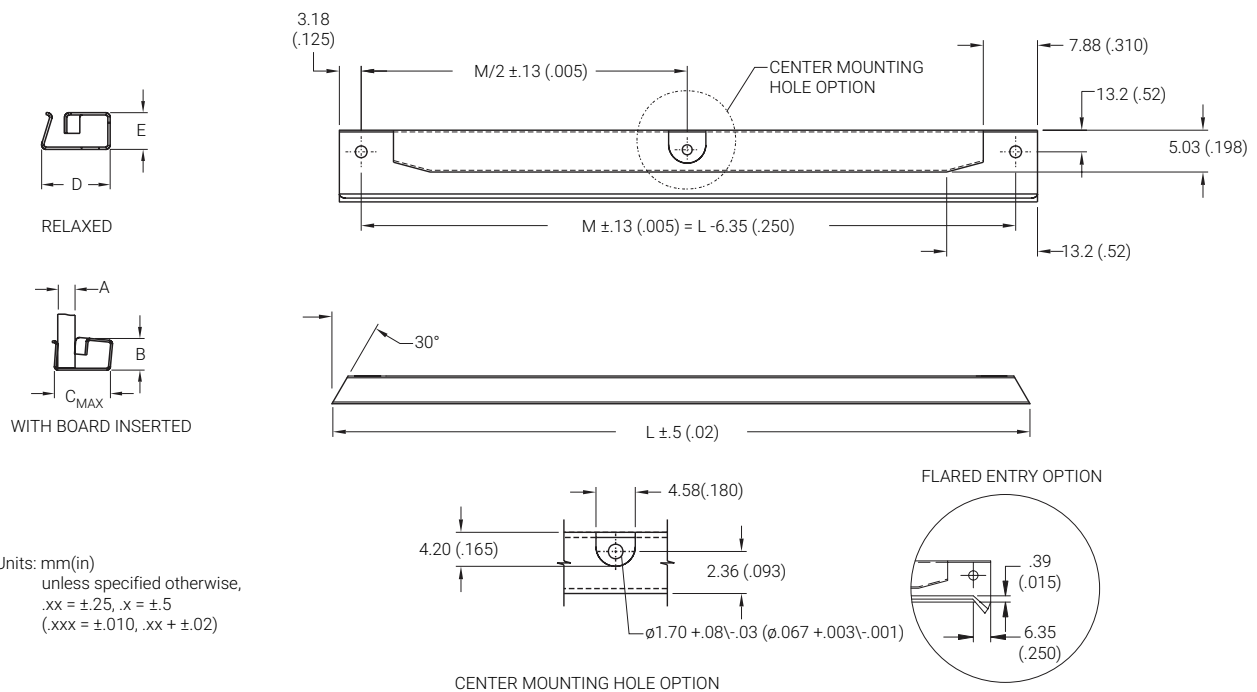
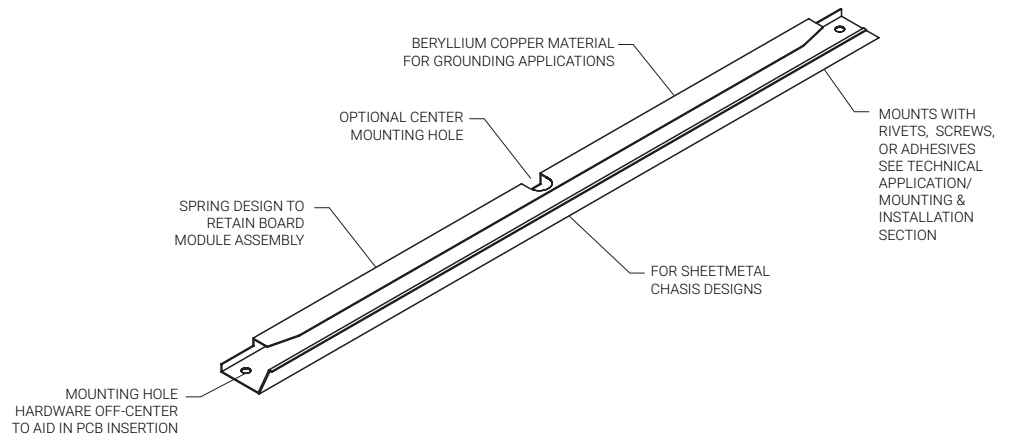
**HOUSING**

**Material:**

.008-in. (.20-mm) thick  
Beryllium Copper per  
ASTM B-194 or Stainless  
Steel per ASTM A-366

**Finish:**

See finish table on  
opposite page



Units: mm(in)  
unless specified otherwise,  
.xx = ±.25, x = ±.5  
(.xxx = ±.010, .xx = ±.02)

**MATERIALS TABLE**

CODE	
B	BERYLLIUM COPPER, 1/4H PER ASTM-B-194
BH	BERYLLIUM COPPER, 1/4H PER QQ-C-533, HEAT TREATED
CR	STAINLESS STEEL, TYPE 301 COND 1/4H PER AMS 5517

**DIMENSION TABLE**

CODE	BOARD THICKNESS				
	A	B	C MAX	D	E
-1	0.79 (.031)	3.31 (.130)	8.13 (.320)	7.57 (.298)	3.18 (.125)
-2	1.59 (.063)	3.31 (.130)	8.13 (.320)	7.57 (.298)	3.18 (.125)
-3	2.38 (.094)	3.31 (.130)	9.15 (.360)	7.57 (.298)	3.18 (.125)
-4	3.18 (.125)	3.31 (.130)	9.40 (.370)	8.87 (.349)	3.18 (.125)

**FINISH TABLE**

CODE	
-1	NONE
-3	CADMIUM PER QQ-P-416, TYPE 2, CLASS 2
-5	GOLD PLATE PER MIL-G-45204, TYPE 1, GLASS 1
-6	NICKEL PLATE PER QQ-N-290, CLASS 1, GRADE G, BRIGHT
-7	ZINC PLATE CLEAR CHROMATE, PER ASTM-B-633, Fe/Zn 8
-8	ZINC PLATE YELLOW CHROMATE, PER ASTM-B-633, Fe/Zn 8

NO DASH NUMBER REQUIRED FOR CR MATERIAL. STAINLESS STEEL PARTS ARE PASSIVATED ONLY.

**Part Number Code**

**35 C F -2 B - 2 - 10 - 5**

**Center Mounting Hole**  
Center Mounting Hole \_\_\_\_\_ **C**  
None \_\_\_\_\_ **[Blank]**

**Flared Entry**  
Flared Entry \_\_\_\_\_ **F**  
None \_\_\_\_\_ **[Blank]**

**Material**  
Beryllium Copper \_\_\_\_\_ **B**  
or select from Materials Table

**Board Thickness**  
1.59(.063) PCB Thickness \_\_\_\_\_ **2**  
or select from Dimension Table

**Length**  
Length in 12.7 (.50) increments \_\_\_\_\_ **4 [50.8 (2.00)]**  
\_\_\_\_\_ to 20 [254.0 (10.00)]

**Finish**  
Gold Plate \_\_\_\_\_ **5**  
or select from Finish Table

**Part number code examples: 35C-2B-2-8-7**

Series 35-2 low Profile PCB-TAINER, Beryllium Copper, with Center Mounting Hole, .063-in (1.60-mm) thick board, 101.6-mm (4.00-in.) long, Zinc Plate Clear Chromate finish.

