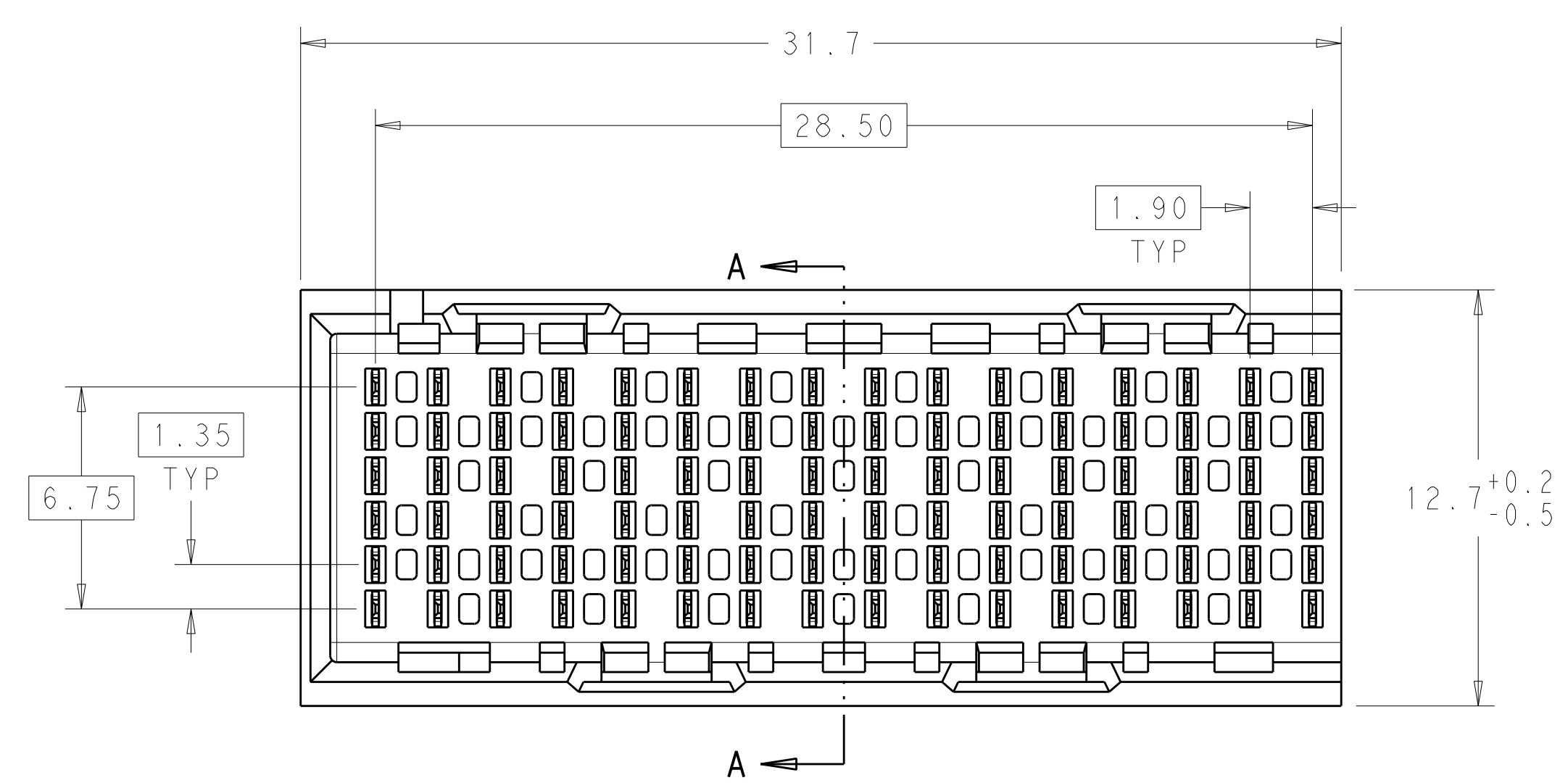
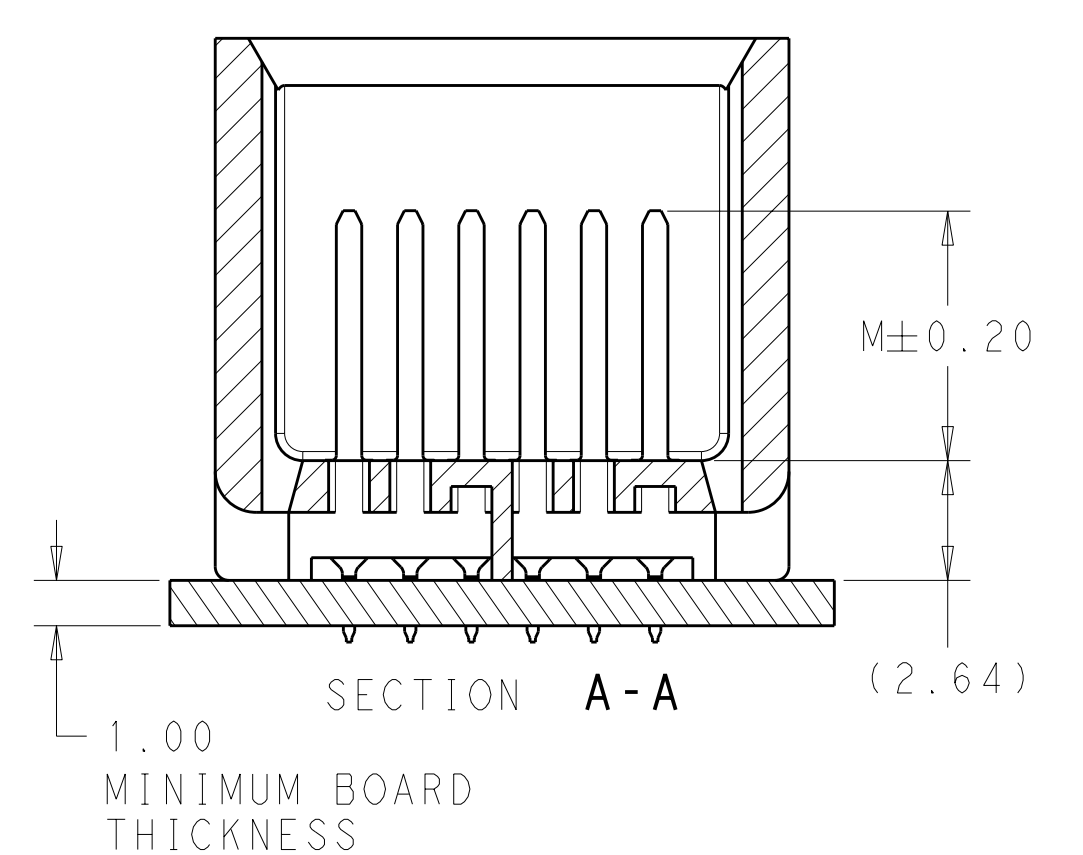
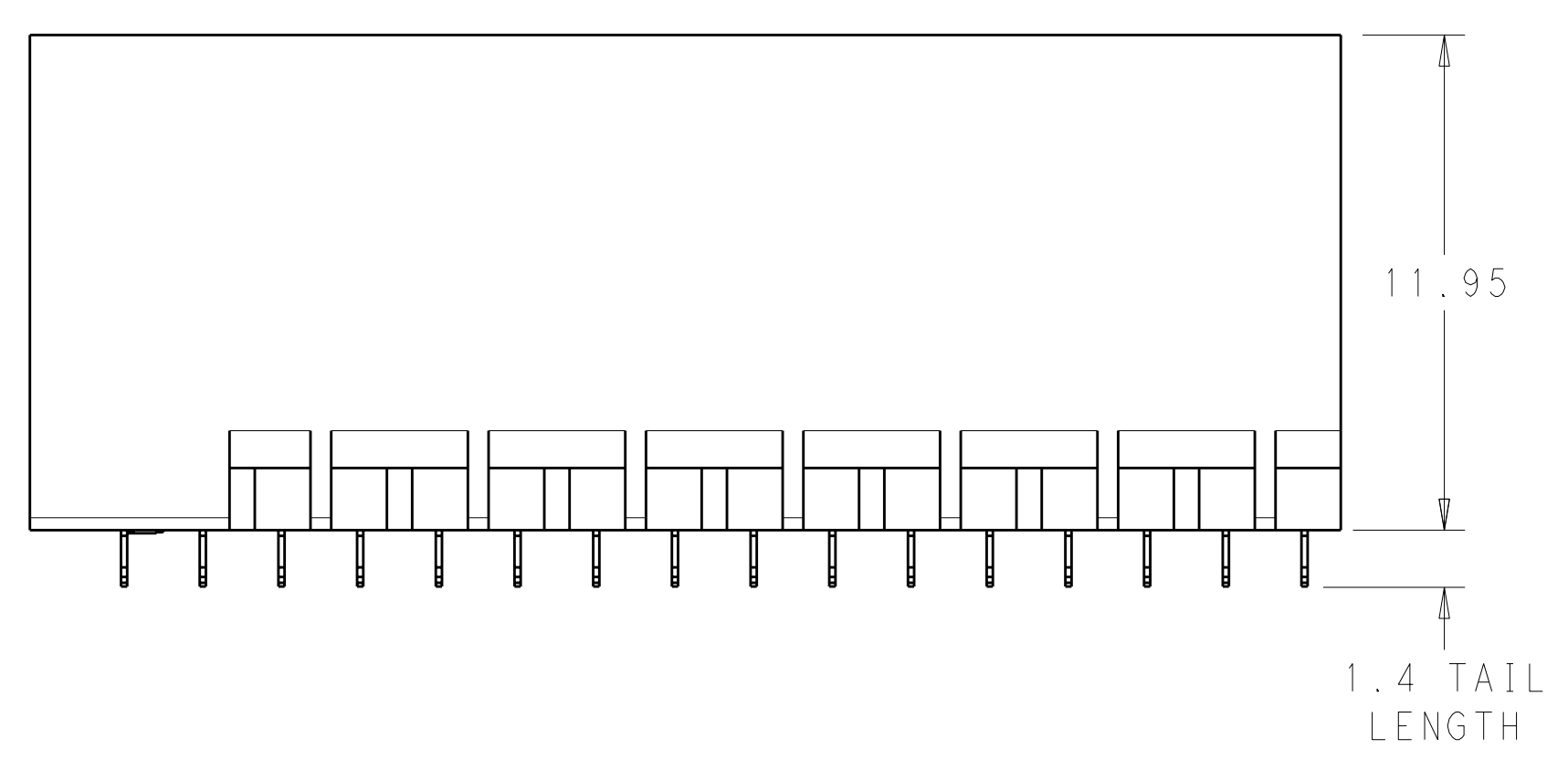
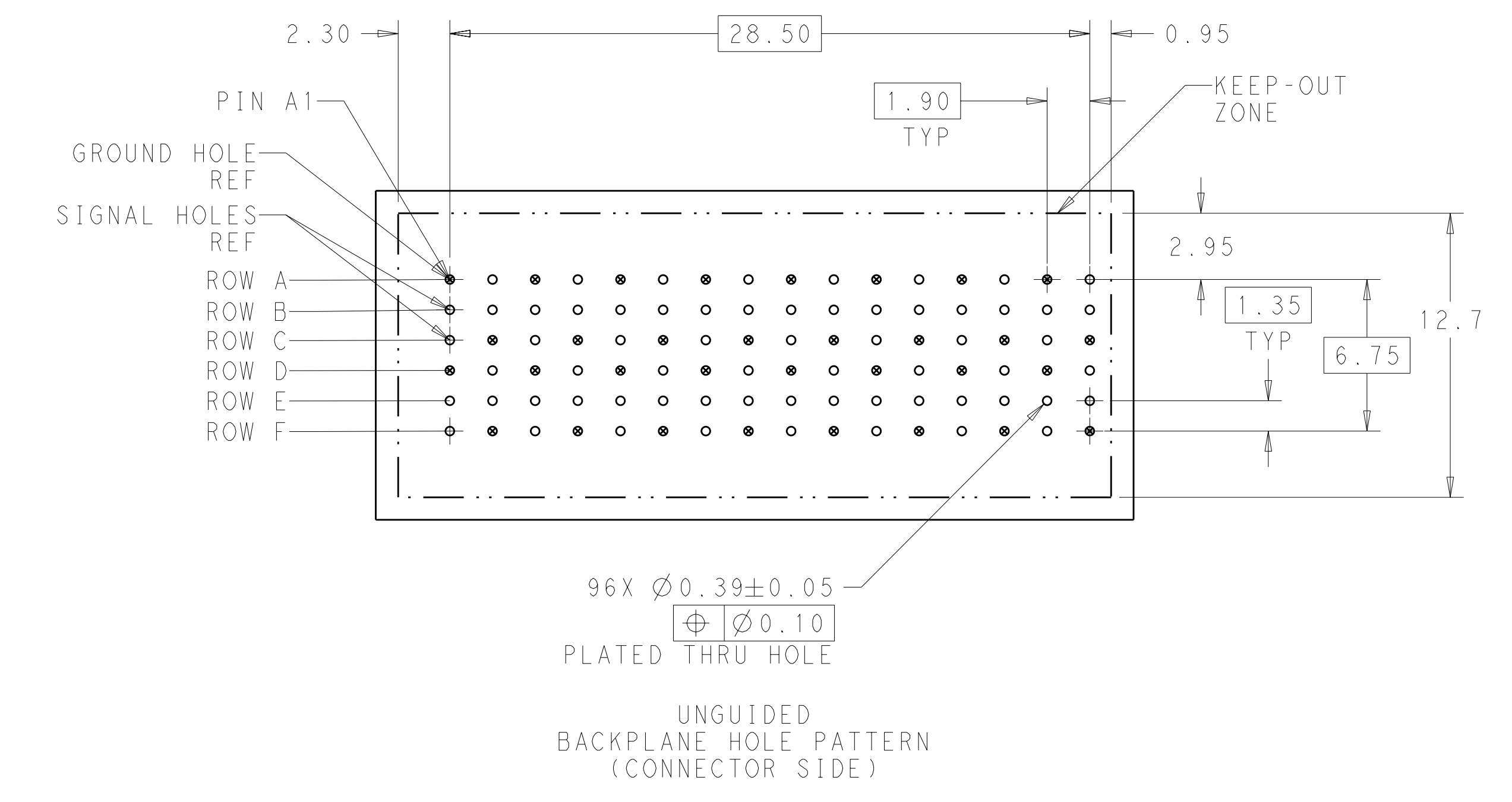
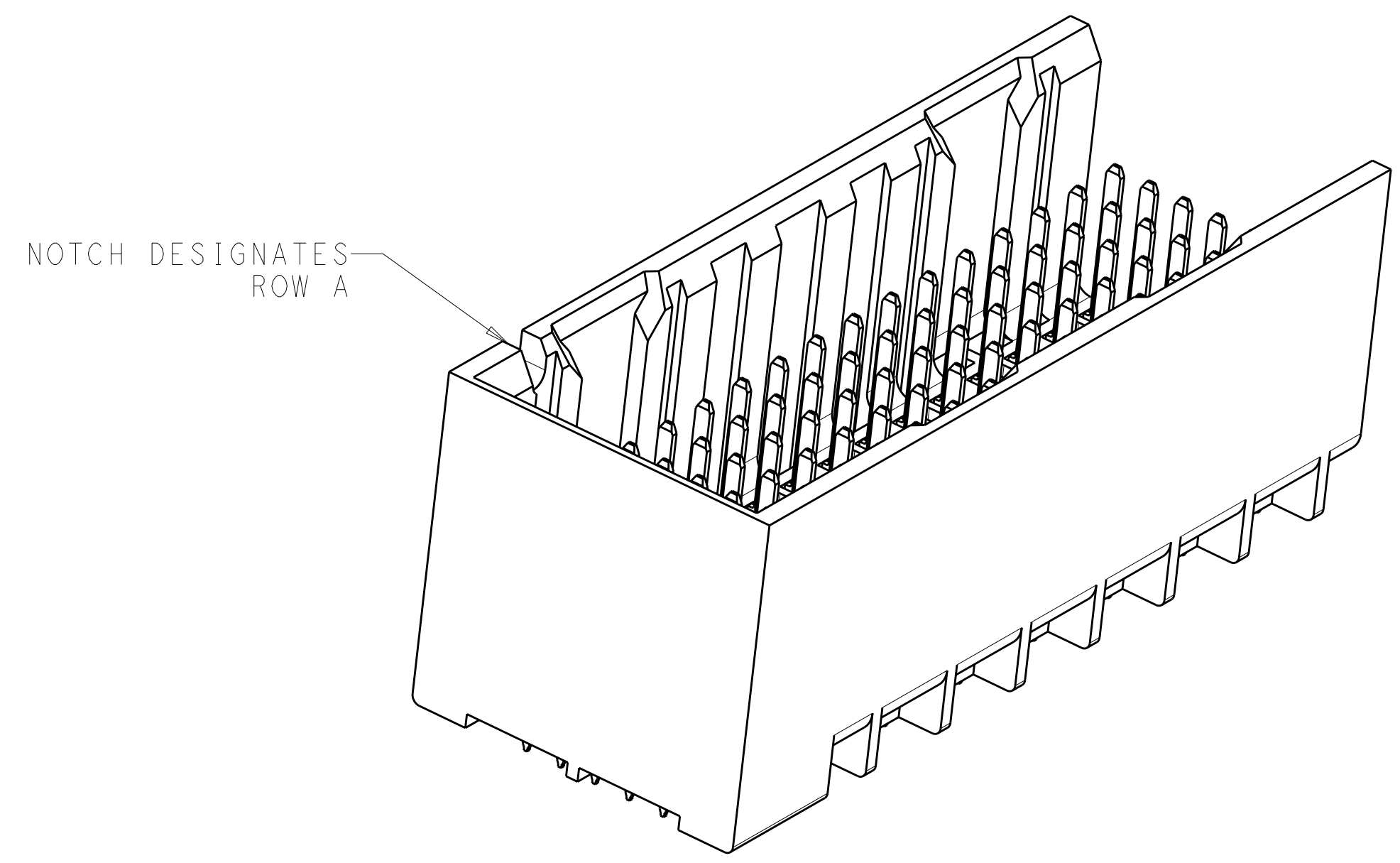


LOC	DIST	REVISIONS			
AD	00	REV	DATE	BY	APPD
		B	05JAN2012	KH	DY



- 1 MATERIAL:
HOUSING: LCP, GLASS FILLED, UL94V-0.
TERMINALS: HIGH PERFORMANCE COPPER ALLOY.
- 2 FINISH:
30μ" MIN GOLD IN CONTACT AREA. SELECTIVE TIN
ON PCB TAILS, NICKEL OVERALL.
- 3 FINISH:
30μ" MIN GOLD IN CONTACT AREA. SELECTIVE TIN-LEAD
ON PCB TAILS, NICKEL OVERALL.




THIS DRAWING IS A CONTROLLED DOCUMENT.		DWN J. K. SHOBER 31JAN2011	TE Connectivity																								
DIMENSIONS: mm		CHK J. EBY 31JAN2011																									
<table border="1"> <tr> <th>TOLERANCES UNLESS OTHERWISE SPECIFIED:</th> <th>PLC</th> <th>±</th> </tr> <tr> <td>9</td> <td>PLC</td> <td>±0.25</td> </tr> <tr> <td>3</td> <td>PLC</td> <td>±0.13</td> </tr> <tr> <td>4</td> <td>PLC</td> <td>±</td> </tr> <tr> <td>4</td> <td>PLC</td> <td>±</td> </tr> <tr> <td colspan="3">ANGLES</td> </tr> <tr> <td colspan="3">FINISH</td> </tr> <tr> <td colspan="3">SEE TABLE</td> </tr> </table>		TOLERANCES UNLESS OTHERWISE SPECIFIED:	PLC	±	9	PLC	±0.25	3	PLC	±0.13	4	PLC	±	4	PLC	±	ANGLES			FINISH			SEE TABLE			APVD J. EBY 31JAN2011	NAME IMPACT, 2 PAIR, 16 COLUMN, HEADER UNGUIDED, LEFT END WALL SIGNAL MODULE, 0.39 PTH
TOLERANCES UNLESS OTHERWISE SPECIFIED:	PLC	±																									
9	PLC	±0.25																									
3	PLC	±0.13																									
4	PLC	±																									
4	PLC	±																									
ANGLES																											
FINISH																											
SEE TABLE																											
MATERIAL		PRODUCT SPEC	SIZE CAGE CODE DRAWING NO RESTRICTED TO																								
FINISH		APPLICATION SPEC	A100779C=2057749																								
CUSTOMER DRAWING		WEIGHT	SCALE 6:1 SHEET 1 OF 2 REV B																								

THIS DRAWING IS UNPUBLISHED. RELEASED FOR PUBLICATION 20
 © COPYRIGHT 20 . . . ALL RIGHTS RESERVED.

LOC	DIST	REVISIONS					
AD	00	P	LTG	DESCRIPTION	DATE	DWN	APVD
		-	-	SEE SHEET 1	-	-	-

FINISH	DIM M	PART NUMBER
△3	5.5	2057749-6
△3	4.9	2057749-5
△3	4.5	2057749-4
△2	5.5	2057749-3
△2	4.9	2057749-2
△2	4.5	2057749-1

REFER TO WWW.TE.COM
 FOR PRODUCT AVAILABILITY

THIS DRAWING IS A CONTROLLED DOCUMENT.		DWN J. K. SHOBER 31 JAN 2011	 TE Connectivity
DIMENSIONS: mm		CHK J. EARY 31 JAN 2011	
TOLERANCES UNLESS OTHERWISE SPECIFIED: 9 PLC ± 2 PLC ±0.25 3 PLC ±0.13 5 PLC ± 4 PLC ± ANGLES ± FINISH SEE TABLE		APVD J. EARY 31 JAN 2011	NAME IMPACT, 2 PAIR, 16 COLUMN, HEADER UNGUIDED, LEFT END WALL SIGNAL MODULE, 0.39 PTH
MATERIAL -	SEE TABLE	PRODUCT SPEC -	APPLICATION SPEC -
CUSTOMER DRAWING		WEIGHT -	RESTRICTED TO -
		SCALE 5:1	SHEET 2 OF 2
		REV B	