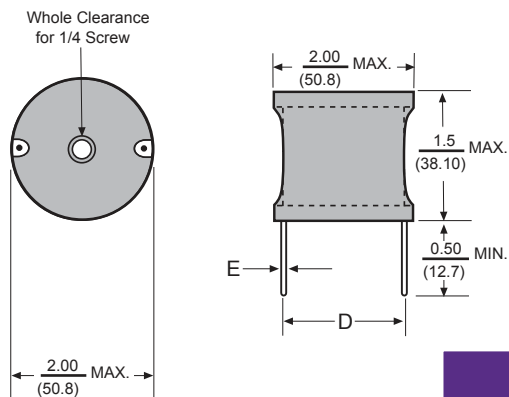


# RDC60 Radial Drum Core Inductors



Dimensions:  $\frac{\text{Inches}}{\text{(mm)}}$



## Features

- High Current / Radial Power Line Choke
- Drum Core Design
- Hole Clearance for 1/4 Screw
- UL VW-1 Shrink Tube Cover

## Electrical

**Inductance Range:** 4.7 $\mu$ H to 47,000 $\mu$ H

**Tolerance:** 20% for 4.7 $\mu$ H to 8.2 $\mu$ H and  
10% for 10 $\mu$ H to 47,000 $\mu$ H

**Operating Temp:** -55°C ~ +125°C

**Saturation Current:** Lowers Inductance by 5%

## Test Equipment

(L): HP 4263A @ 1Khz

(DCR): HP 4263A

## Physical

**Packaging:** Box Trays

**Marking:** EIA Inductance Code

| Allied Part Number | (L) ( $\mu$ H) @ 1Khz | Tolerance | DCR Max. ( $\Omega$ ) | Saturation Current (A) DC | Rated Current (A) | Dimension (E) | Dimension (D) |
|--------------------|-----------------------|-----------|-----------------------|---------------------------|-------------------|---------------|---------------|
| RDC60-4R7M-RC      | 4.7                   | 20        | .002                  | 149.9                     | 35.0              | 0.105         | 1.40          |
| RDC60-5R6M-RC      | 5.6                   | 20        | .002                  | 122.7                     | 35.0              | 0.105         | 1.40          |
| RDC60-6R8M-RC      | 6.8                   | 20        | .003                  | 103.8                     | 35.0              | 0.105         | 1.40          |
| RDC60-8R2M-RC      | 8.2                   | 20        | .003                  | 90.0                      | 35.0              | 0.105         | 1.40          |
| RDC60-100K-RC      | 10                    | 10        | .003                  | 79.4                      | 35.0              | 0.105         | 1.48          |
| RDC60-120K-RC      | 12                    | 10        | .004                  | 71.0                      | 35.0              | 0.105         | 1.48          |
| RDC60-150K-RC      | 15                    | 10        | .004                  | 64.3                      | 35.0              | 0.105         | 1.48          |
| RDC60-180K-RC      | 18                    | 10        | .005                  | 58.7                      | 35.0              | 0.105         | 1.48          |
| RDC60-220K-RC      | 22                    | 10        | .005                  | 54.0                      | 35.0              | 0.105         | 1.48          |
| RDC60-270K-RC      | 27                    | 10        | .006                  | 50.0                      | 35.0              | 0.105         | 1.48          |
| RDC60-330K-RC      | 33                    | 10        | .006                  | 46.5                      | 35.0              | 0.105         | 1.48          |
| RDC60-390K-RC      | 39                    | 10        | .006                  | 43.5                      | 35.0              | 0.105         | 1.48          |
| RDC60-470K-RC      | 47                    | 10        | .008                  | 40.9                      | 35.0              | 0.105         | 1.48          |
| RDC60-560K-RC      | 56                    | 10        | .009                  | 36.5                      | 35.0              | 0.105         | 1.48          |
| RDC60-680K-RC      | 68                    | 10        | .009                  | 32.9                      | 35.0              | 0.105         | 1.48          |
| RDC60-820K-RC      | 82                    | 10        | .010                  | 30.0                      | 35.0              | 0.105         | 1.48          |
| RDC60-101K-RC      | 100                   | 10        | .014                  | 26.5                      | 27.0              | 0.094         | 1.53          |
| RDC60-121K-RC      | 120                   | 10        | .015                  | 24.5                      | 27.0              | 0.094         | 1.53          |
| RDC60-151K-RC      | 150                   | 10        | .023                  | 21.4                      | 21.0              | 0.084         | 1.49          |
| RDC60-181K-RC      | 180                   | 10        | .025                  | 19.5                      | 21.0              | 0.084         | 1.49          |
| RDC60-221K-RC      | 220                   | 10        | .028                  | 18.0                      | 21.0              | 0.084         | 1.49          |
| RDC60-271K-RC      | 270                   | 10        | .030                  | 16.2                      | 21.0              | 0.084         | 1.49          |
| RDC60-331K-RC      | 330                   | 10        | .040                  | 14.8                      | 17.0              | 0.075         | 1.31          |
| RDC60-391K-RC      | 390                   | 10        | .055                  | 13.6                      | 13.5              | 0.068         | 1.31          |
| RDC60-471K-RC      | 470                   | 10        | .061                  | 12.3                      | 13.5              | 0.068         | 1.31          |
| RDC60-561K-RC      | 560                   | 10        | .068                  | 11.3                      | 13.5              | 0.068         | 1.40          |
| RDC60-681K-RC      | 680                   | 10        | .094                  | 10.3                      | 11.4              | 0.060         | 1.42          |
| RDC60-821K-RC      | 820                   | 10        | .104                  | 9.4                       | 11.4              | 0.060         | 1.42          |
| RDC60-102K-RC      | 1000                  | 10        | .143                  | 8.5                       | 9.0               | 0.054         | 1.36          |
| RDC60-122K-RC      | 1200                  | 10        | .156                  | 7.7                       | 9.0               | 0.054         | 1.36          |
| RDC60-152K-RC      | 1500                  | 10        | .219                  | 6.8                       | 7.2               | 0.048         | 1.31          |
| RDC60-182K-RC      | 1800                  | 10        | .241                  | 6.3                       | 7.2               | 0.048         | 1.31          |
| RDC60-222K-RC      | 2200                  | 10        | .270                  | 5.7                       | 7.2               | 0.048         | 1.40          |
| RDC60-272K-RC      | 2700                  | 10        | .364                  | 5.1                       | 5.5               | 0.043         | 1.36          |
| RDC60-332K-RC      | 3300                  | 10        | .498                  | 4.6                       | 4.5               | 0.039         | 1.24          |
| RDC60-392K-RC      | 3900                  | 10        | .548                  | 4.2                       | 4.5               | 0.039         | 1.32          |
| RDC60-472K-RC      | 4700                  | 10        | .608                  | 4.5                       | 4.5               | 0.039         | 1.32          |
| RDC60-562K-RC      | 5600                  | 10        | .671                  | 4.5                       | 4.5               | 0.039         | 1.36          |
| RDC60-682K-RC      | 6800                  | 10        | .750                  | 3.2                       | 4.5               | 0.039         | 1.40          |
| RDC60-822K-RC      | 8200                  | 10        | 1.03                  | 2.9                       | 4.0               | 0.035         | 1.45          |
| RDC60-103K-RC      | 10000                 | 10        | 1.16                  | 2.6                       | 4.0               | 0.035         | 1.45          |
| RDC60-123K-RC      | 12000                 | 10        | 1.54                  | 2.4                       | 2.8               | 0.031         | 1.40          |
| RDC60-153K-RC      | 15000                 | 10        | 1.75                  | 2.2                       | 2.8               | 0.031         | 1.40          |
| RDC60-183K-RC      | 18000                 | 10        | 1.94                  | 2.0                       | 2.8               | 0.028         | 1.45          |
| RDC60-223K-RC      | 22000                 | 10        | 2.74                  | 1.8                       | 2.0               | 0.028         | 1.37          |
| RDC60-273K-RC      | 27000                 | 10        | 3.71                  | 1.6                       | 1.7               | 0.025         | 1.37          |
| RDC60-333K-RC      | 33000                 | 10        | 4.16                  | 1.5                       | 1.7               | 0.025         | 1.37          |
| RDC60-393K-RC      | 39000                 | 10        | 5.56                  | 1.4                       | 1.4               | 0.025         | 1.35          |
| RDC60-473K-RC      | 47000                 | 10        | 6.19                  | 1.2                       | 1.4               | 0.022         | 1.35          |

All specifications subject to change without notice.