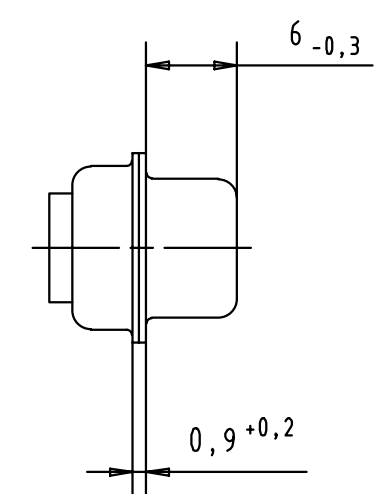
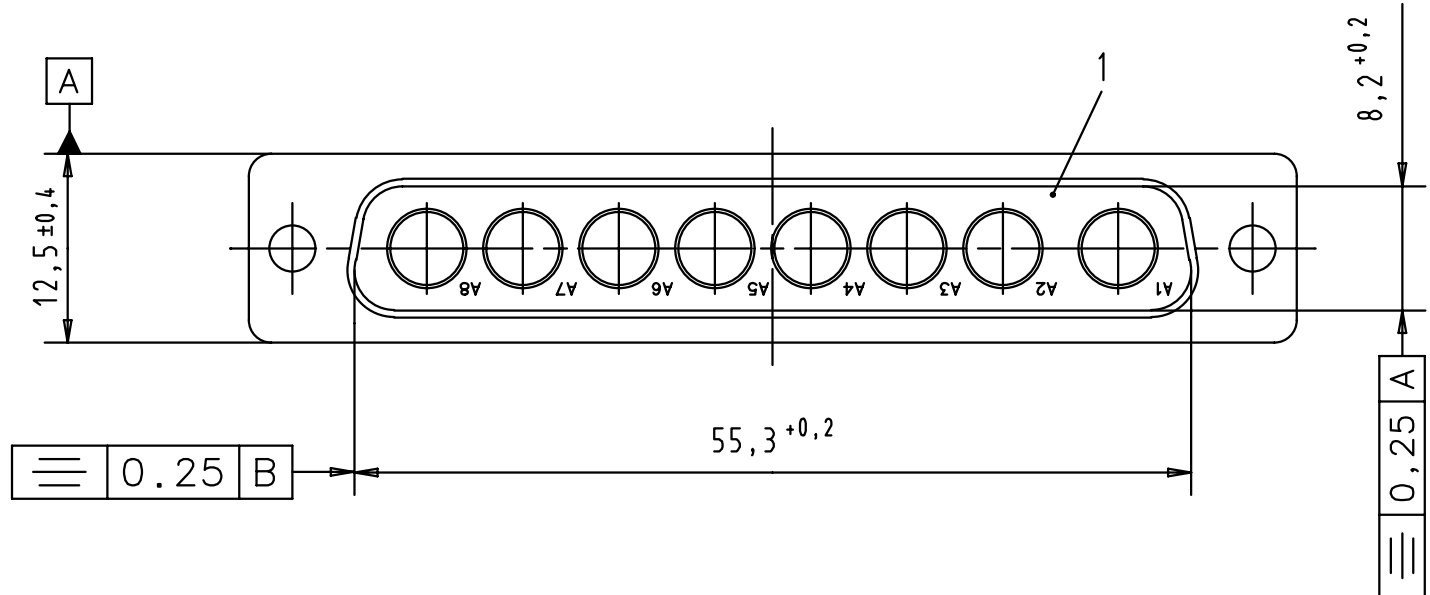
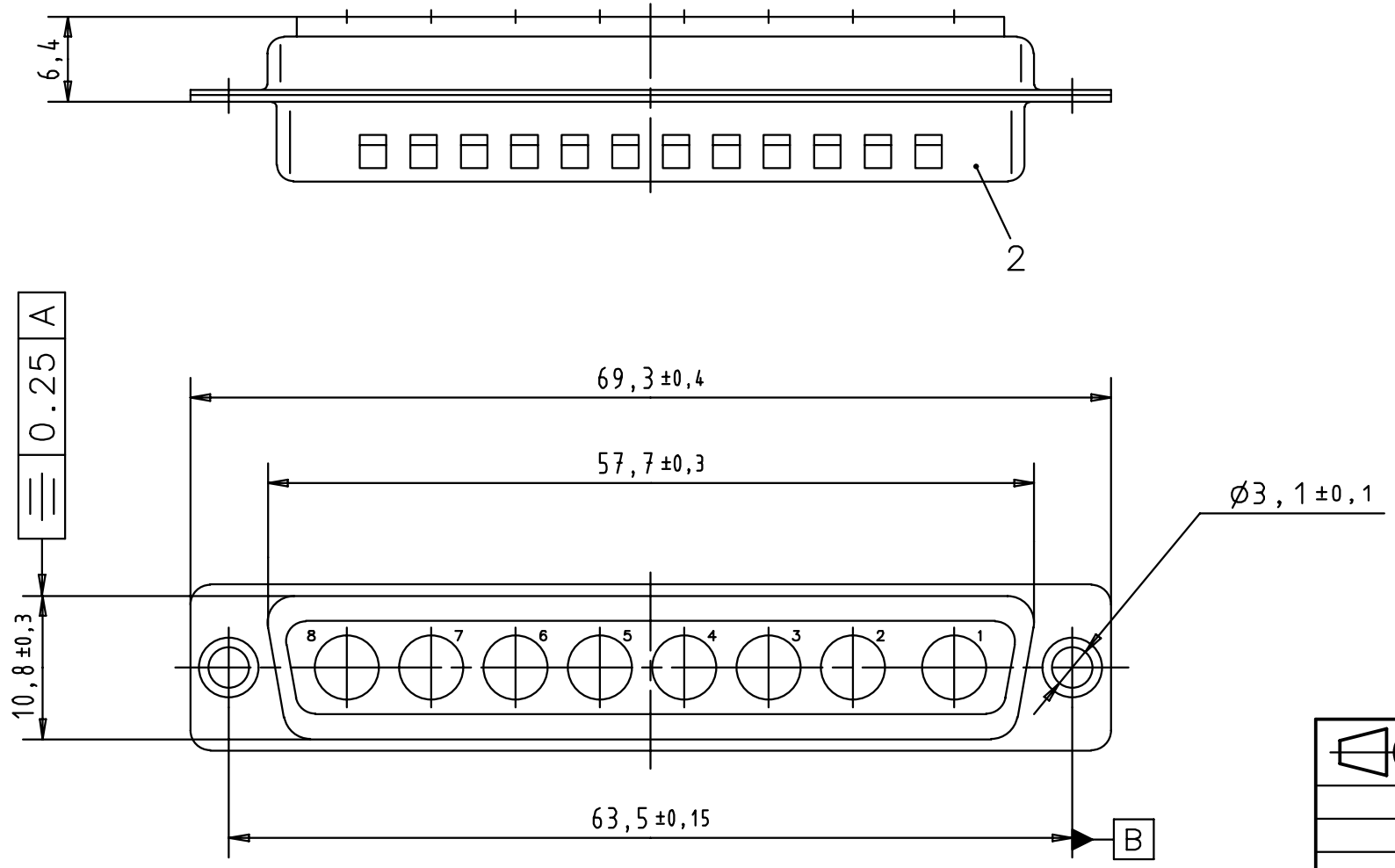
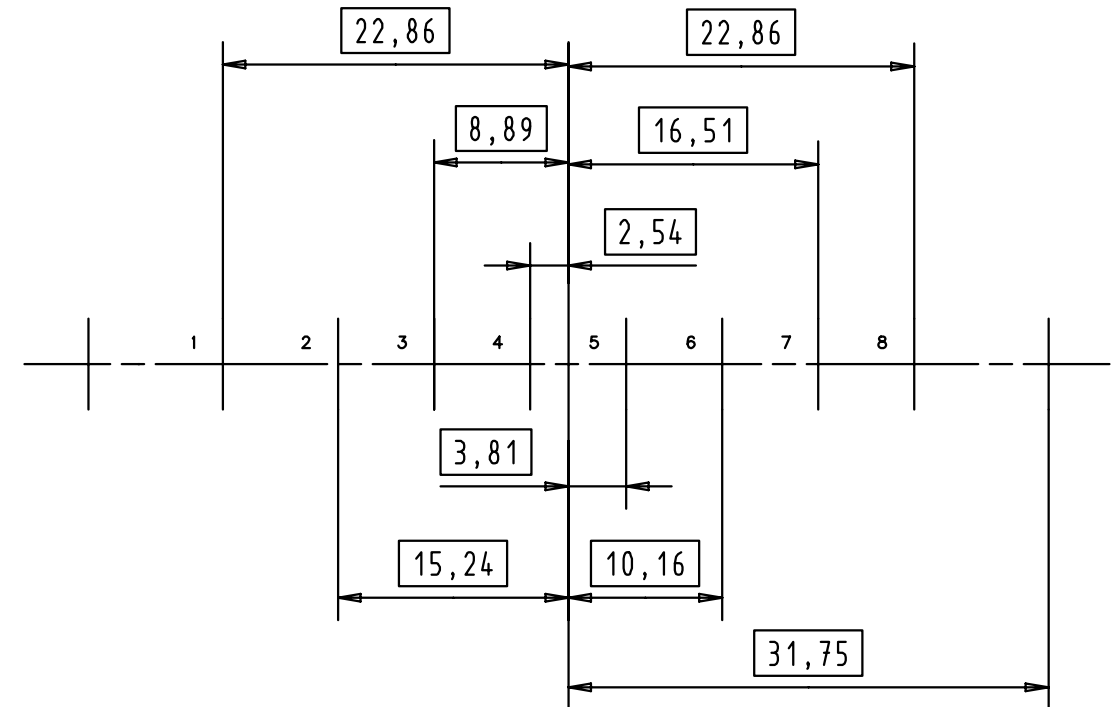


Alle Rechte vorbehalten/ All rights reserved



PCB hole pattern, mounting side



2- Shell
1- insulator

All Dimensions in mm Original Size DIN A 3		Nicht tol. Maße/ Free size tol. 2768-m Oberflächte/ Surface qual. Oberflächenschutz/ Coating		Ref. MB Mat.	
V= cm ³ A= cm ²		Dat. Name Maßstab/ Scale 17/11/00 AF 2/1		Male D-Sub mixed 8W8	
Detail. Insp. Stand.		HARTING F-95972 Paris		TB 09 69 410 0088 Sub.	
27959 Mod.	17/11/00 Dat.	AF Name			