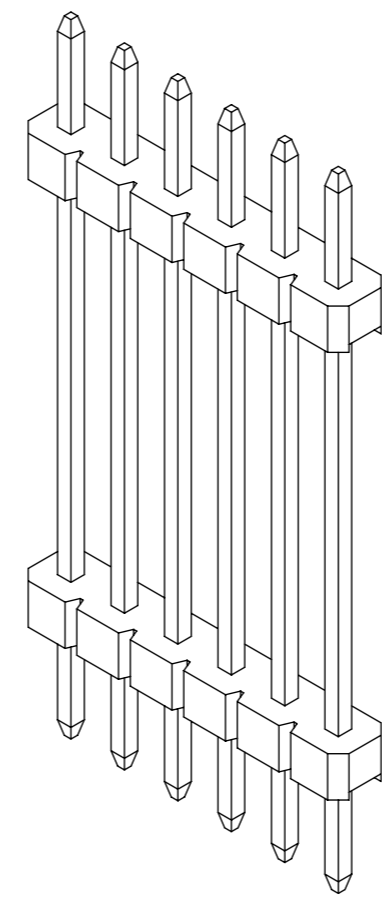
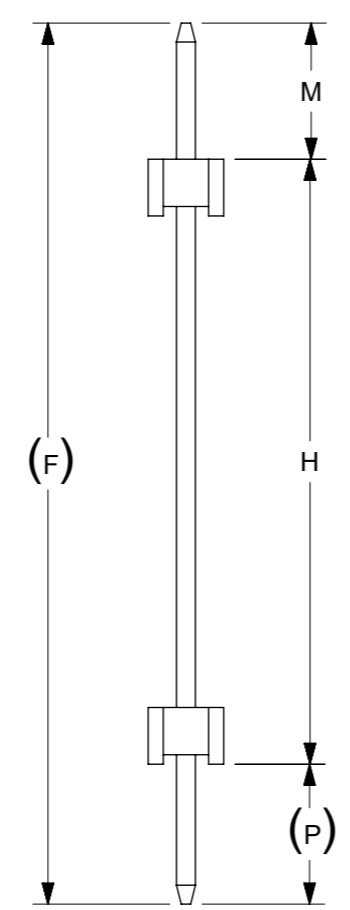
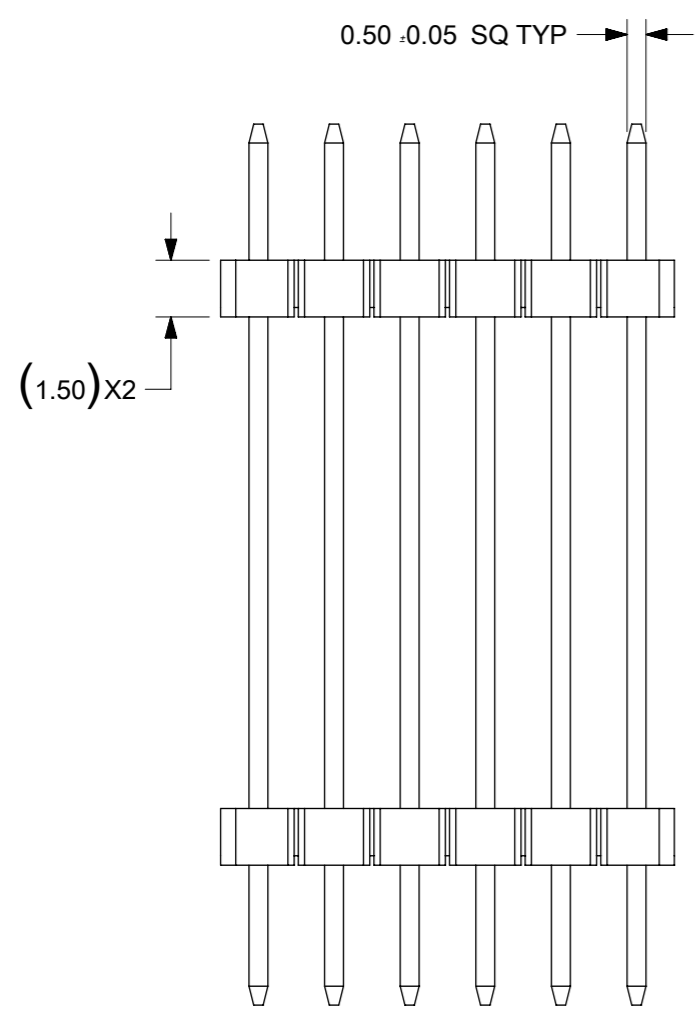


RECOMMENDED PCB LAYOUT




NOTES

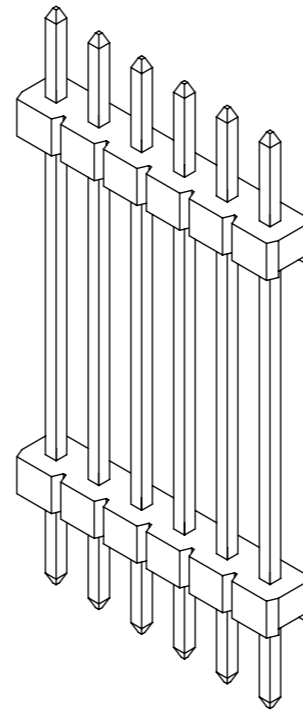
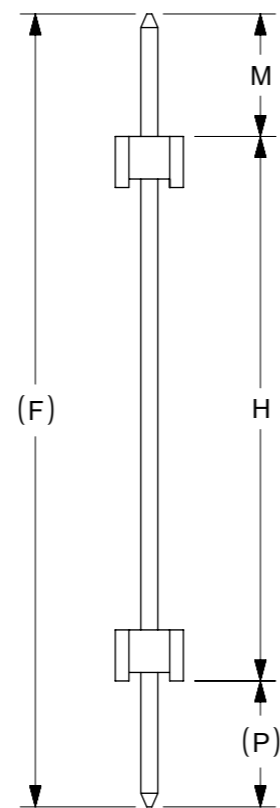
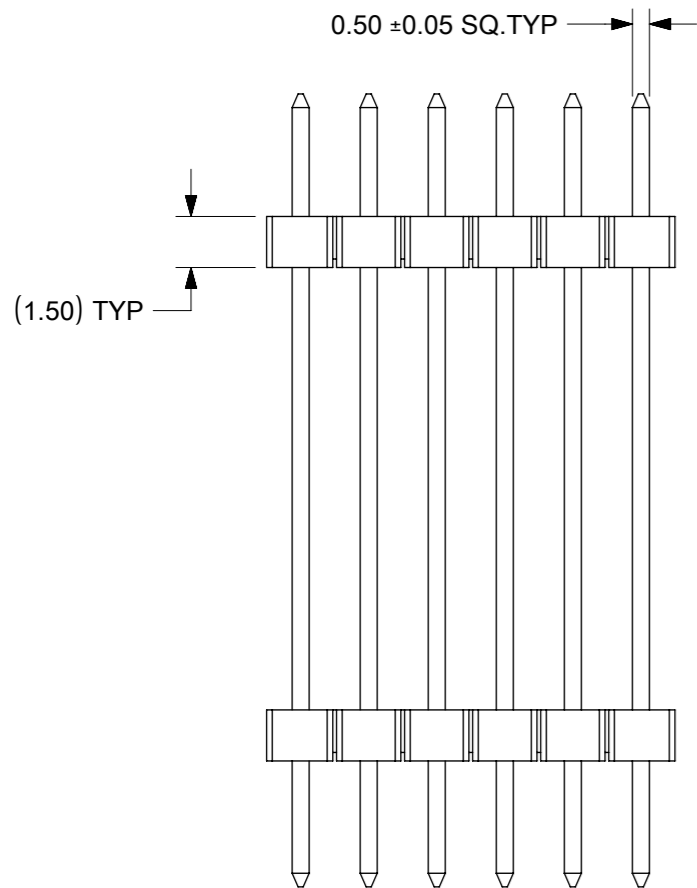
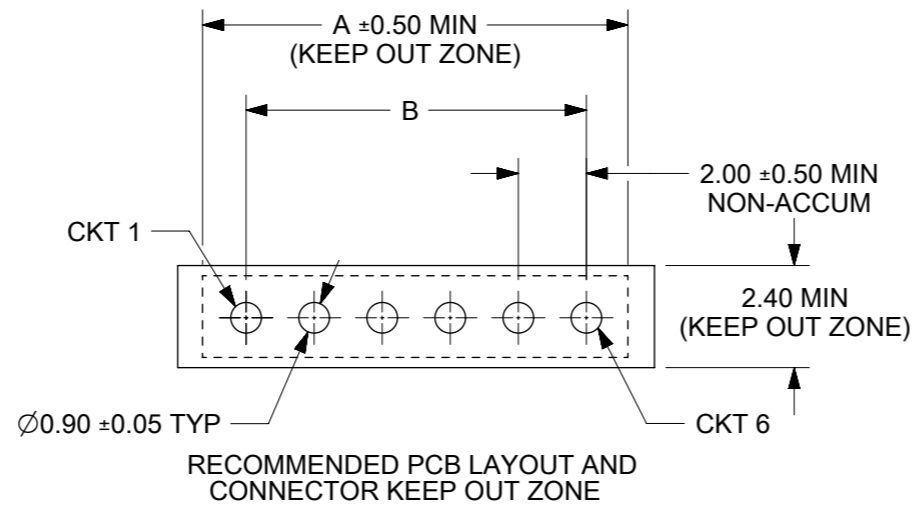
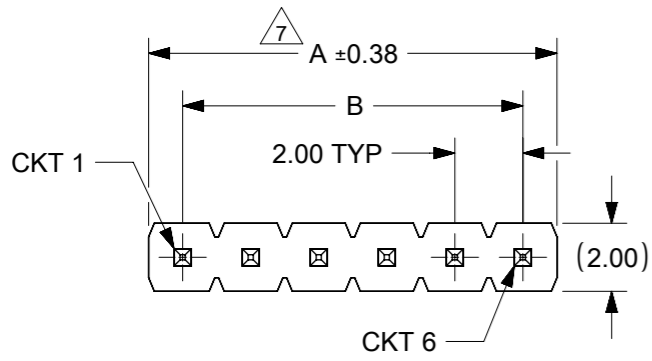
- MATERIAL:
 - HSG: PA6T, GLASS-FILLED, UL94V-0
 - COLOR: BLACK
 - PIN: 0.50MM SQ, COPPER ALLOY
- PLATING TYPE:
 - 0.05-0.25µm GOLD OVER
1.25µm MIN. NICKEL OVERALL.
 - 0.05-0.25µm GOLD ON CONTACT AND
2.50µm MIN. TIN ON SOLDER TAIL OVER
1.25µm MIN. NICKEL OVERALL.
 - 0.38µm MIN. GOLD PLATE ON CONTACT AND
2.00µm MIN. TIN ON SOLDER TAIL OVER
1.25µm MIN. NICKEL OVERALL.
 - 0.75µm MIN. GOLD PLATE ON CONTACT AND
2.00µm MIN. TIN ON SOLDER TAIL OVER
1.25µm MIN. NICKEL OVERALL.
 - 2.50µm MIN. TIN OVERALL
1.25µm MIN. NICKEL OVERALL
- PACKAGING TYPE: SEE TABLE
- PCB THICKNESS 1.6+/-0.10mm
- PRODUCT SPECIFICATION: PS-87761-100
- WAFER TO BE FLAT WITHIN 0.003 mm/mm
- IRREGULAR CIRCUIT CUTOFF WITHIN BREAKAWAY SECTION IS PERMISSIBLE. CUTTING OR CHIPPING OF THE MAIN BODY IS NOT ACCEPTABLE
- THE ABOVE CKT 06 IS FOR ILLUSTRATION PURPOSE ONLY
- PACKAGING SPECIFICATION:
 - TRAY: PK-89990-487
 - BULK: PK-89990-490

SYMBOLS	THIS DRAWING CONTAINS INFORMATION THAT IS PROPRIETARY TO MOLEX ELECTRONIC TECHNOLOGIES, LLC AND SHOULD NOT BE USED WITHOUT WRITTEN PERMISSION		CURRENT REV DESC: SD CONSOLIDATION					
	DIMENSION UNITS	SCALE						
▽ = 0	mm	NTS			CUSTOM HEADER 2MM PITCH SINGLE ROW HDR DUAL WAFER, VERTICAL T/H			
▽ = 0	GENERAL TOLERANCES (UNLESS SPECIFIED)							
▽ = 0	ANGULAR TOL ± 3.0°				PRODUCT CUSTOMER DRAWING			
▽ = 0	4 PLACES ±							
▽ = 0	3 PLACES ±				DOCUMENT NUMBER SD-151148-0003			
▽ = 0	2 PLACES ± 0.2							
▽ = 0	1 PLACE ±				DOC TYPE DOC PART REVISION PSD 000 A			
▽ = 0	0 PLACES ±							
□ = 0	DRAFT WHERE APPLICABLE MUST REMAIN WITHIN DIMENSIONS		THIRD ANGLE PROJECTION	DRAWING	SERIES	MATERIAL NUMBER	CUSTOMER	SHEET NUMBER
▽ = 0				A3-SIZE	151148	SEE TABLE	GENERAL MARKET	1 OF 2

CKT SIZE	DIMENSION	
	A	B
02	4.00	2.00
03	6.00	4.00
04	8.00	6.00
05	10.00	8.00
06	12.00	10.00
07	14.00	12.00
08	16.00	14.00
09	18.00	16.00
10	20.00	18.00
11	22.00	20.00
12	24.00	22.00
13	26.00	24.00
14	28.00	26.00
15	30.00	28.00
16	32.00	30.00
17	34.00	32.00
18	36.00	34.00
19	38.00	36.00
20	40.00	38.00
21	42.00	40.00
22	44.00	42.00
23	46.00	44.00
24	48.00	46.00
25	50.00	48.00
26	52.00	50.00
27	54.00	52.00
28	56.00	54.00
29	58.00	56.00
30	60.00	58.00
31	62.00	60.00
32	64.00	62.00
33	66.00	64.00
34	68.00	66.00
35	70.00	68.00
36	72.00	70.00
37	74.00	72.00
38	76.00	74.00
39	78.00	76.00
40	80.00	78.00

PART NO. FOR TRAY PACKAGING	PART NO. FOR BULK PACKAGING	PART NO. FOR T&R PACKAGING	CKT SIZE	PLATE OPT.	KINK POSITION	VOID POSITION	DIMENSIONS			
							(F)	M	H	P
151148-0200	-	-	02	1	-	-	10.00	3.00	4.00	3.00
151148-0300	-	-	03	5	-	-	7.40	1.80	3.00	2.60
151148-0400	-	-	04	5	-	-	8.50	2.75	3.00	2.75
151148-0700	-	-	07	1	-	-	31.80	6.00	22.80	3.00
151148-0701	-	-	07	3	-	-	32.25	4.20	25.00	3.05
151148-1000	-	-	10	5	-	-	10.00	3.00	4.00	3.00
151148-1001	-	-	10	3	-	-	9.50	3.00	4.50	2.00
151148-1002	-	-	10	5	-	-	12.94	7.36	3.04	2.54
151148-1100	-	-	11	1	-	-	19.00	3.00	14.50	1.50

SYMBOLS ▽ = 0 ▽ = 0 ▽ = 0 ▽ = 0 ▽ = 0 ▽ = 0 ▽ = 0 ▽ = 0 ▽ = 0 ▽ = 0	THIS DRAWING CONTAINS INFORMATION THAT IS PROPRIETARY TO MOLEX ELECTRONIC TECHNOLOGIES, LLC AND SHOULD NOT BE USED WITHOUT WRITTEN PERMISSION		CURRENT REV DESC: SD CONSOLIDATION		 CUSTOM HEADER 2MM PITCH SINGLE ROW HDR DUAL WAFER, VERTICAL T/H
	mm	NTS	EC NO: 616102		
	GENERAL TOLERANCES (UNLESS SPECIFIED)		DRWN: GJEEVANSURES 2019/04/10		
	ANGULAR TOL ± 3.0°		CHK'D: GJEEVANSURES 2019/05/08		PRODUCT CUSTOMER DRAWING
	4 PLACES ±		APPR: ISHWARG 2019/05/09		
	3 PLACES ±		INITIAL REVISION:		DOCUMENT NUMBER
	2 PLACES ± 0.2		DRWN: MRAMAKRISHNA 2015/07/08		SD-151148-0003
	1 PLACE ±		APPR: MRAMAKRISHNA 2015/07/29		DOC TYPE
	0 PLACES ±		THIRD ANGLE PROJECTION		PSD
	DRAFT WHERE APPLICABLE MUST REMAIN WITHIN DIMENSIONS		DRAWING		DOC PART
		SERIES		000	
		MATERIAL NUMBER		A	
		CUSTOMER		REVISION	
		SHEET NUMBER		2 OF 2	




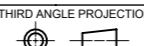
NOTES

1. MATERIAL:
HSG: PA6T, GLASS-FILLED, UL94V-0
COLOR: BLACK
PIN: 0.50MM SQ, COPPER ALLOY
2. PLATING TYPE:
 - (1) GOLD FLASH OVER
1.270µm/50µin NICKEL OVERALL
 - (2) 0.025µm MIN. GOLD PLATE ON CONTACT AND
1.905µm MIN. TIN ON SOLDER TAIL OVER
1.270µm MIN. NICKEL OVERALL.
 - (3) 0.254µm MIN. GOLD PLATE ON CONTACT AND
1.905µm MIN. TIN ON SOLDER TAIL OVER
1.270µm MIN. NICKEL OVERALL.
 - (4) 0.381µm MIN. GOLD PLATE ON CONTACT AND
1.905µm MIN. TIN ON SOLDER TAIL OVER
1.270µm MIN. NICKEL OVERALL.
 - (5) 0.762µm MIN. GOLD PLATE ON CONTACT AND
1.905µm MIN. TIN ON SOLDER TAIL OVER
1.270µm MIN. NICKEL OVERALL.
 - (6) 2.540µm/100µin MIN TIN OVERALL
1.270µm/50µ in NICKEL OVERALL
3. PACKAGING TYPE: SEE TABLE
4. PCB THICKNESS 1.6+/-0.10mm
5. PRODUCT SPECIFICATION: PS-87761-100
6. WAFER TO BE FLAT WITHIN 0.003 mm/mm
7. IRREGULAR CIRCUIT CUTOFF WITHIN BREAKAWAY SECTION IS PERMISSIBLE. CUTTING OR CHIPPING OF THE MAIN BODY IS NOT ACCEPTABLE
8. THE ABOVE CKT 06 IS FOR ILLUSTRATION PURPOSE ONLY
9. PACKAGING SPECIFICATION:
TRAY: PK-89990-487
BULK: PK-89990-490

THIS DRAWING CONTAINS INFORMATION THAT IS PROPRIETARY TO MOLEX ELECTRONIC TECHNOLOGIES, LLC AND SHOULD NOT BE USED WITHOUT WRITTEN PERMISSION											
DIMENSION UNITS		SCALE		CURRENT REV DESC: BRIGHT TIN PHASE OUT				molex			
mm		NTS									
GENERAL TOLERANCES (UNLESS SPECIFIED)				EC NO: 679909 DRWN: AKUMAR19 2021/06/15 CHK'D: MRAMAKRISHNA 2021/10/11 APPR: MRAMAKRISHNA 2021/10/11 INITIAL REVISION: DRWN: SKLIM01 2006/07/14 APPR: PATEL 2006/07/26				CUSTOMER DRAWING			
								CUSTOMER		CUSTOMER	
								CUSTOMER		CUSTOMER	
								CUSTOMER		CUSTOMER	
								CUSTOMER		CUSTOMER	
								CUSTOMER		CUSTOMER	
4 PLACES ±		±		DOCUMENT NUMBER		DOC TYPE		DOC PART			
3 PLACES ±		±		SD-87755-042		PSD		001			
2 PLACES ±		0.2 ±						B1			
1 PLACE ±		±									
0 PLACES ±		±									
ANGULAR TOL ± 3.0°				MATERIAL NUMBER		CUSTOMER		SHEET NUMBER			
DRAFT WHERE APPLICABLE MUST REMAIN WITHIN DIMENSIONS		THIRD ANGLE PROJECTION		DRAWING		SERIES		MATERIAL NUMBER			
		A3-SIZE		87755		SEE TABLE		GENERAL MARKET			
								1 OF 2			

PART NO. FOR TRAY PACKAGING	PART NO. FOR BULK PACKAGING	CKT SIZE	PLATING OPTIONS	KINK POSITIONS	VOID POSITIONS	DIMENSIONS					
						A	B	F	M	H	P
87755-0002	---	02	6	---	---	4.00	2.00	24.50	2.25	20.00	2.25
87755-0003	---	03	6	---	---	6.00	4.00	24.50	2.25	20.00	2.25
87755-0301	---	03	6	---	---	6.00	4.00	7.40	1.80	3.00	2.60
87755-0501	----	05	6	---	2, 3 & 4	10.00	8.00	11.90	3.00	5.90	3.00
---	87755-0006	06	6	---	---	12.00	10.00	8.50	3.05	3.00	2.45
---	87755-0601	06	6	---	---	12.00	10.00	8.50	2.75	3.00	2.75
---	87755-0602	06	6	---	---	12.00	10.00	8.50	2.75	3.00	2.75
87755-0800	---	08	6	---	---	16.00	14.00	30.40	7.80	19.00	3.60
87755-0802	---	08	6	---	---	16.00	14.00	30.40	7.80	19.00	3.60
87755-0801	---	08	6	---	---	16.00	14.00	11.90	3.00	5.90	3.00
87755-0021	---	21	6	---	2,4,6,8,10,12, 14,16,18,20	42.00	40.00	23.30	3.60	16.00	3.70

△ WAFFER STACK TOGETHER, DIMENSION 'H' SHOULD BE TAKEN AS REFERENCE.

THIS DRAWING CONTAINS INFORMATION THAT IS PROPRIETARY TO MOLEX ELECTRONIC TECHNOLOGIES, LLC AND SHOULD NOT BE USED WITHOUT WRITTEN PERMISSION												
DIMENSION UNITS		SCALE		CURRENT REV DESC: BRIGHT TIN PHASE OUT								
mm		NTS		GENERAL TOLERANCES (UNLESS SPECIFIED)								
				MM		INCH		EC NO: 679909 DRWN: AKUMAR19 2021/06/15 CHK'D: MRAMAKRISHNA 2021/10/11 APPR: MRAMAKRISHNA 2021/10/11 INITIAL REVISION: DRWN: SKLIM01 2006/07/14 APPR: PATEL 2006/07/26				
4 PLACES		±		±		±						
3 PLACES		±		±		±						
2 PLACES		±		0.2		±						
1 PLACE		±		±		±						
0 PLACES		±		±		±		DOCUMENT NUMBER		DOC TYPE	DOC PART	REVISION
ANGULAR TOL		±		3.0°		±		SD-87755-042		PSD	001	B1
DRAFT WHERE APPLICABLE MUST REMAIN WITHIN DIMENSIONS				THIRD ANGLE PROJECTION		DRAWING	SERIES	MATERIAL NUMBER	CUSTOMER		SHEET NUMBER	
						A3-SIZE	87755	SEE TABLE	GENERAL MARKET		2 OF 2	

DOCUMENT STATUS	P1	RELEASE DATE	2021/10/11	11:53:15
-----------------	----	--------------	------------	----------