

M MICRO SWITCH
 FREEPORT ILLINOIS
 A DIVISION OF HONEYWELL
 FED. MFG. CODE 91929

SWITCH-BASIC

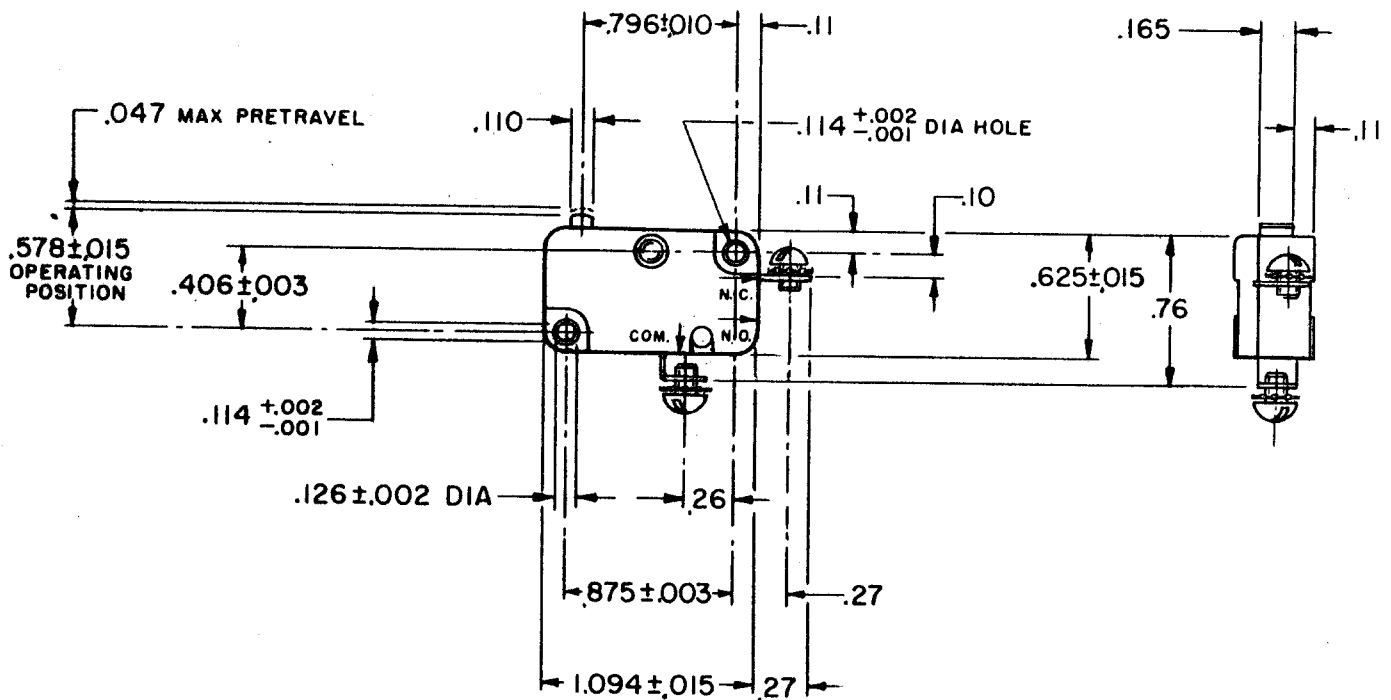
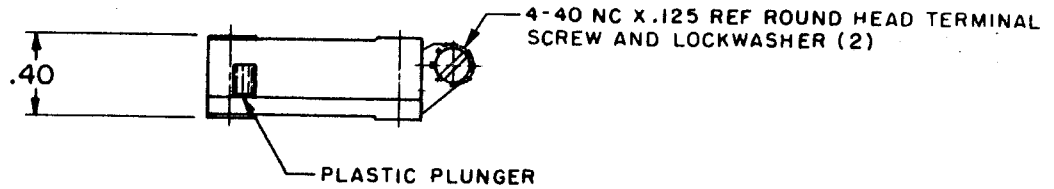
CATALOG LISTING

V3-1002

MILITARY STDS PART NO.
 MS 25253-3

CK-L0200

V3-1002
M
 DRAWING NUMBER
8
X
 ISSUE
8
 REVISIONS
 A CO20189
 M B F
 1 JULY 65
 B CO21900
 L E B
 15 AUG 67
 C CO24941
 M B S
 3 DEC 68
 D CO26075
 M B S
 27 AUG 69
 E CO26943
 S R H
 12 FEB 70
 F CO
 39182
 G A S
 16 FEB 78
 G CO45436
 D J W
 31 JAN 79
 H CO
 76499
 D C S
 6 JAN 94
 J CO
 78754
 D C S
 23 SEP 94
 FO-50378
 DRAWN
 L M H
 6 DEC 62
 CHECK
 B R I
 7, DEC 62
 CHECK
 D A W
 62
 REPLACES
 RELEASE NO. SR 10661



NOTES

- 1 - MARK "MS-25253-3" AND SOURCE CODE "91929" ON SWITCH AND LABEL OF PACKING BOX
- 2 - MARK SWITCH WITH CATALOG LISTING AND DATE CODE

THIS DRAWING COVERS A PROPRIETARY ITEM AND IS THE PROPERTY OF MICRO SWITCH, A DIVISION OF MINNEAPOLIS-HONEYWELL REGULATOR CO. THIS DRAWING IS NOT TO BE COPIED OR USED WITHOUT THE APPROVAL OF MICRO SWITCH.

CHARACTERISTICS		ELECTRICAL DATA		SCALE FULL
OPERATING FORCE-----	6-14 OZ	CONTACT ARRANGEMENT		DO NOT SCALE PRINT
RELEASE FORCE-----	4 OZ MIN	S P N C		UNLESS OTHERWISE SPECIFIED DIMENSIONS ARE IN INCHES
DIFFERENTIAL TRAVEL---	.006-.016			TOLERANCES ARE:
OVERTRAVEL-----	.040 MIN			ONE PLACE (.0) ±.030
FREE POSITION-----	.625 MAX			TWO PLACE (.00) ±.015
RELEASE TRAVEL-----	.010 MIN			THREE PLACE (.000) ±.005
				ANGLES ±
				WEIGHT 8.3 GRAMS