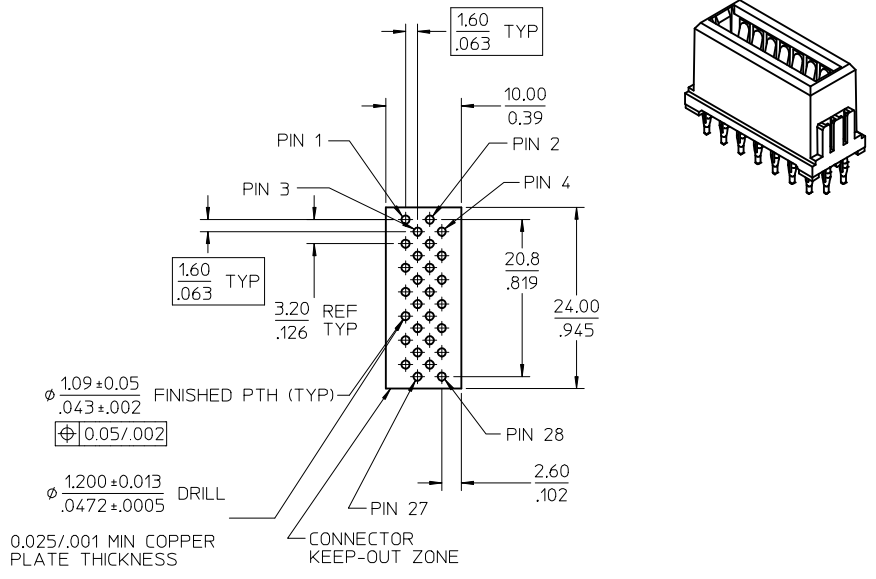
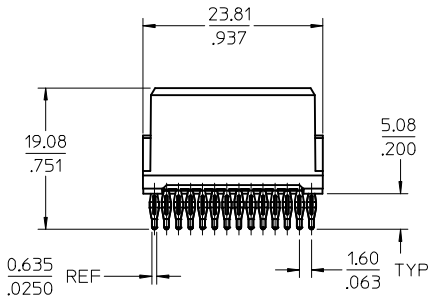
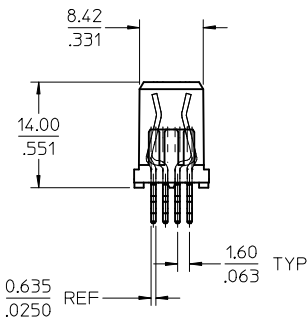
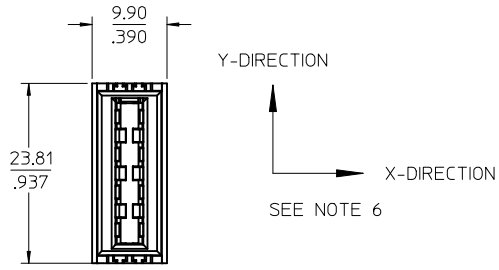


13	12	11	10	9	8	7	6	5	4	3	2	1
PART NUMBER		PLATING										
75542-5000		30μ INCH MIN SELECT HARD GOLD IN CONTACT AREA WITH 100μ INCH MIN SELECT TIN IN TAIL AREA OVER 50μ INCH MIN NICKEL OVERALL										

(A8)

- NOTES:
- MATERIALS:
 - HOUSING: 30% GLASS FILLED, LCP 94V-0, COLOR: BLACK
 - TERMINALS: COPPER ALLOY
 - PLATING: PER ES-88 - SEE CHART
 - LUBRICATION: EB1 IN CONTACT AREA
 - SEE CHART FOR REFERENCE DOCUMENTS
 - RECEPTACLE MATES WITH PLUG ASSEMBLIES: 75556-5*** & 75556-15***
 - AVERAGE INSERTION FORCE INTO PCB IS 8.2 Kg/18 LBS PER TAIL
 - MODULE ASSEMBLY IS RoHS COMPLIANT
 - GATHERABILITY: ±0.65/.026 X-DIRECTION
±1.30/.051 Y-DIRECTION
 - TERMINAL RETENTION INTO HOUSING .45Kg/1.0 LB



PCB LAYOUT
3.18/.125 MIN THICK

REFERENCE DOCUMENTS

PS-75431-999	PRODUCT SPECIFICATION: PERFORMANCE AND RATINGS
SD-75541-***	FINAL ASSEMBLY CONFIGURATION DRAWING
AS-75541-100	APPLICATION SPECIFICATION

REMOVE PART NUMBER EC NO: UCP2014-0690 DRAWN: BANDURA 2013/08/15 CHKD: APPR: APATEL 2013/09/05 REV: A8	QUALITY SYMBOLS	GENERAL TOLERANCES (UNLESS SPECIFIED)	DIMENSION STYLE	SCALE	DESIGN UNITS	THIRD ANGLE PROJECTION	
	▽=0	mm INCH	MM/IN	2:1	METRIC		
	▽=0	4 PLACES ± --- ± --- 3 PLACES ± --- ± .008 2 PLACES ± 0.20 ± .013 1 PLACE ± 0.33 ± ---	DRAWN BY DATE ADRNOL 2005/04/19	TITLE	POWERMASS 150 AMP MODULE RECEPTACLE		
	▽=0	ANGULAR ±1/2°	CHECKED BY DATE MDATA 2005/04/19	APPROVED BY DATE JCOMERC I 2009/12/17	MOLEX INCORPORATED		
	DRAFT WHERE APPLICABLE MUST REMAIN WITHIN DIMENSIONS	MATERIAL NO.	SIZE	DOCUMENT NO.	SHEET NO.		
		SEE CHART	C	SD-75542-100	1 OF 1		
		THIS DRAWING CONTAINS INFORMATION THAT IS PROPRIETARY TO MOLEX INCORPORATED AND SHOULD NOT BE USED WITHOUT WRITTEN PERMISSION					