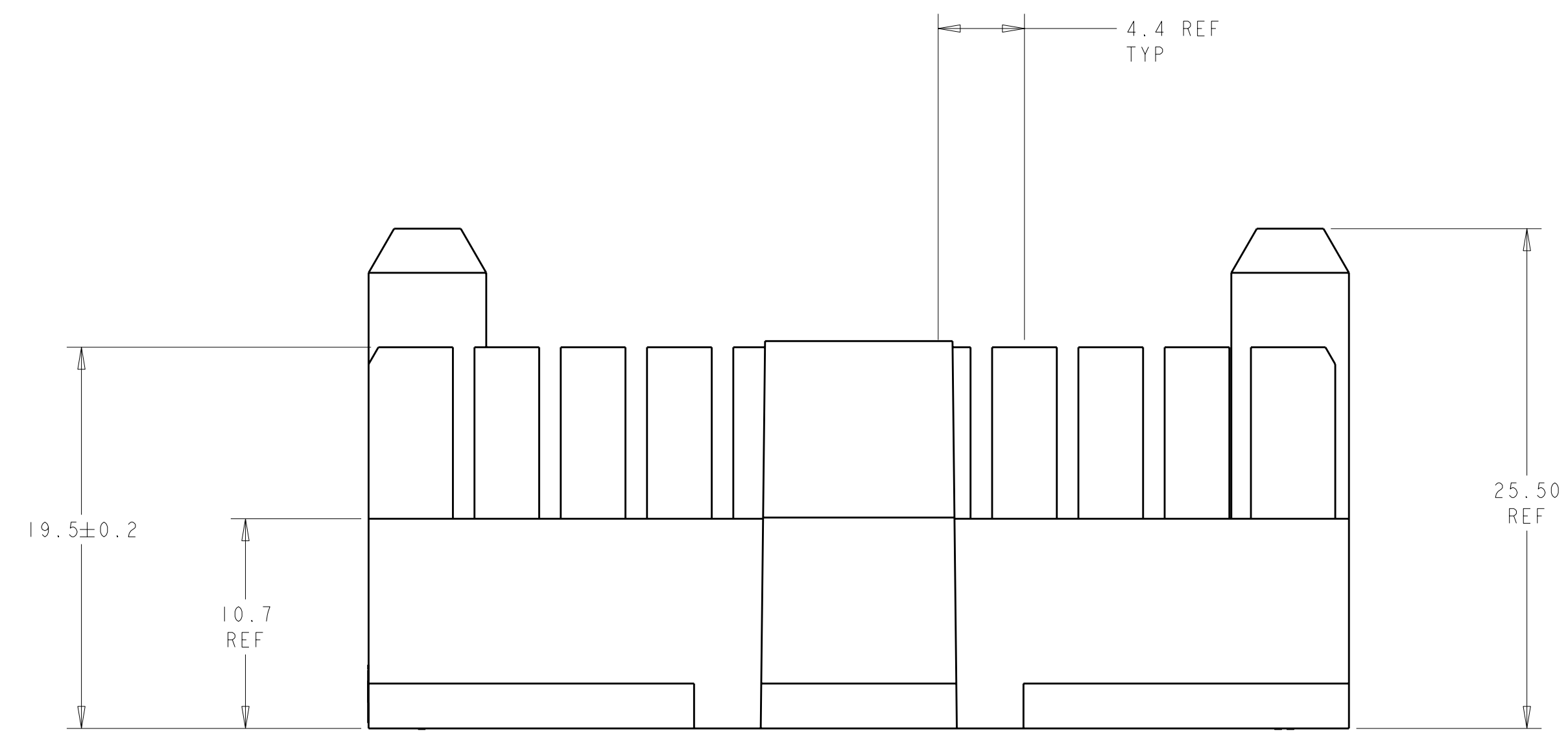
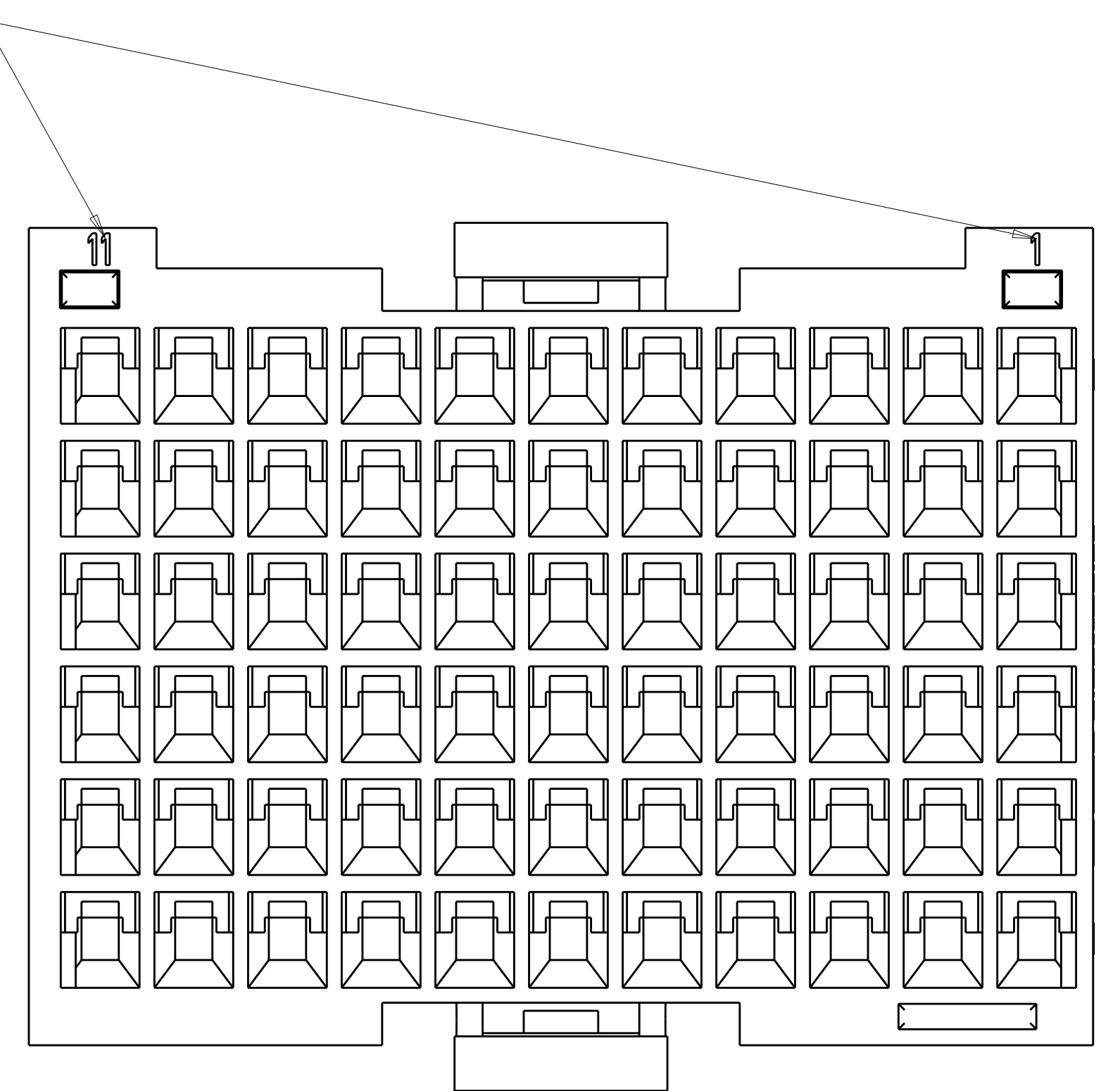
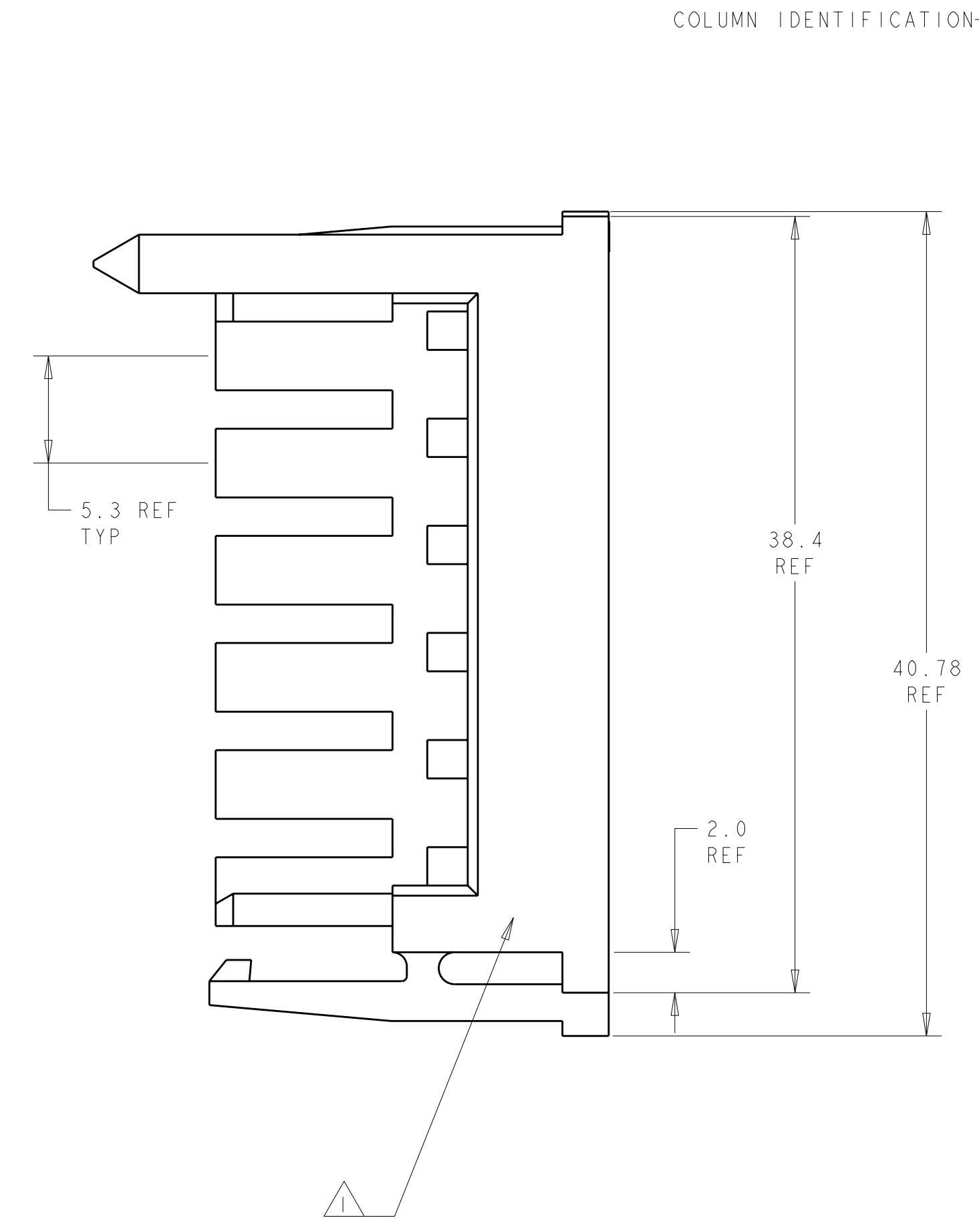
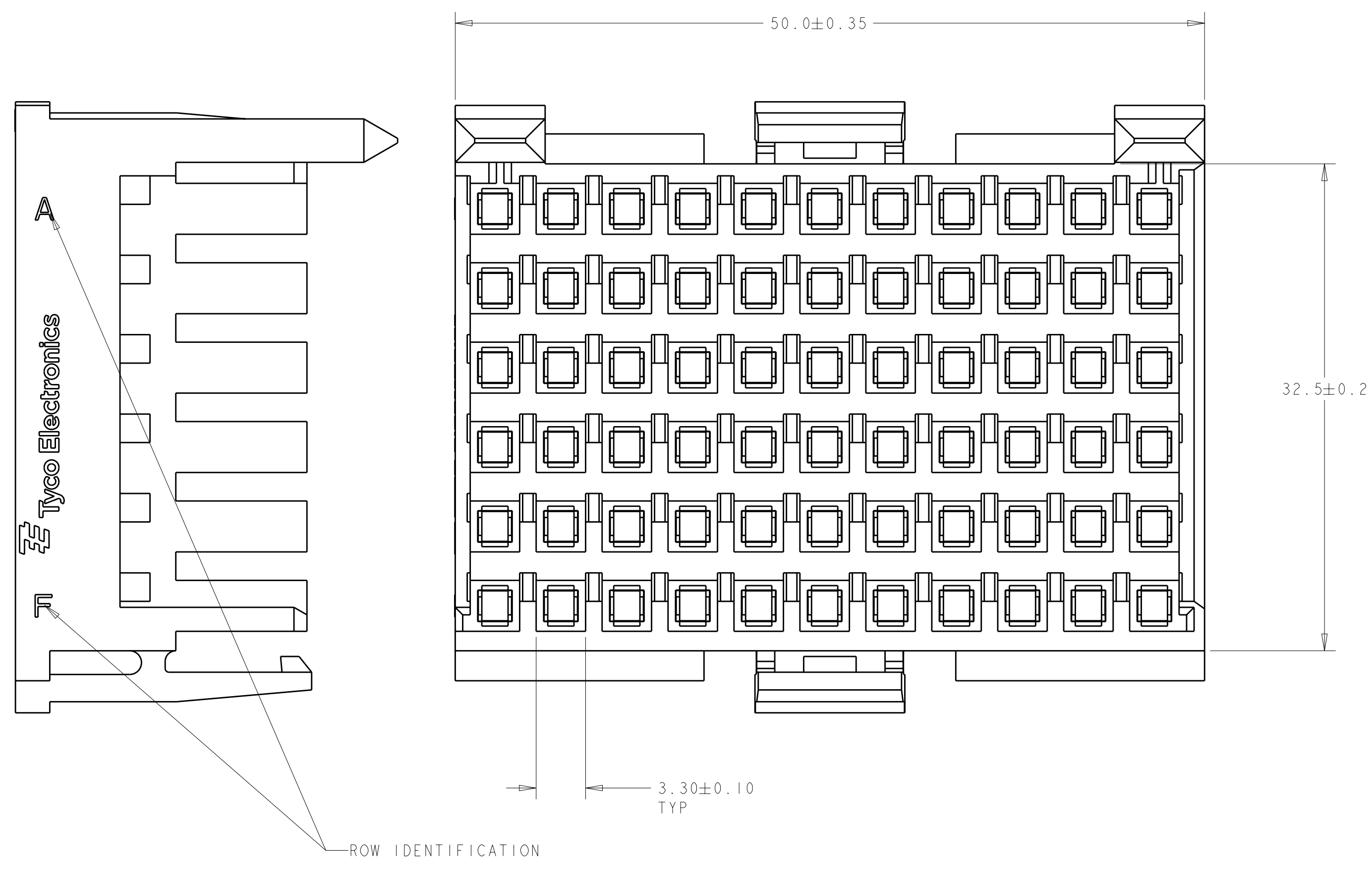


LOC	DIST	REVISIONS					
AD	00	P	LTR	DESCRIPTION	DATE	DWN	APVD
		A		RELEASED PER ECO-07-017382	01AUG2007	WS	AF



CONFIDENTIAL

THIS PRODUCT HAS NOT COMPLETED VALIDATION TESTING

1934145-1
PART NUMBER

<small>THIS DRAWING IS UNPUBLISHED. RELEASED FOR PUBLICATION BY TYCO ELECTRONICS CORPORATION. ALL RIGHTS RESERVED.</small>		DWN: C. RITZER 01FEB2006 CHK: R. WHITEMAN 01FEB2006	tyco Tyco Electronics Harrisburg, PA 17105-3608
DIMENSIONS: mm 		TOLERANCES UNLESS OTHERWISE SPECIFIED: 9 PLC ± 1 PLC ± 2 PLC ± 3 PLC ± 4 PLC ± ANGLES ±	NAME: 66 POSITION RECEPTACLE HOUSING AMP-DUAC UPC PRODUCT SPEC: 108-2248 APPLICATION SPEC: 114-13195 WEIGHT: - CUSTOMER DRAWING
MATERIAL: - FINISH: -		SIZE: A CAGE CODE: 100779 DRAWING NO: C=1934145	RESTRICTED TO: - SCALE: 4:1 SHEET: 1 OF 1 REV: A