

- NOTES:
- MATERIALS: HOUSING - LIQUID CRYSTAL POLYMER (LCP) GLASS-FILLED, UL94V-0
TERMINALS - HIGH PERFORMANCE COPPER ALLOY
 - FINISH: 30µ INCH MIN GOLD IN CONTACT AREA, SELECTIVE MATTE TIN ON PCB TAILS, NICKEL OVERALL.
 - REFER TO MOLEX PCB ROUTING GUIDE AS-76060-990 FOR ANTIPAD AND ROUTING RECOMMENDATIONS.
 - CONNECTORS SUPPLIED WITH A 2-56 UNC-2A SCREW.
 - "THESE DIMENSIONS REPRESENT THE AREA NEEDED TO ACCOMMODATE CONNECTOR INSERTION AND REPAIR ON THE PC BOARD. THIS IS REFERRED TO AS THE "CONNECTOR KEEP OUT ZONE" AND DOES NOT REPRESENT THE ACTUAL PERIMETER OF THE CONNECTOR. WHEN LAYING OUT A PC BOARD FOR CONNECTORS STACK TOGETHER, USE A 1.9mm PROGRESSION."
 - SEE SHEETS 2 & 3 FOR PART NUMBERS AND BOARD RELATIONSHIPS.
 - FOR GROUNDED GUIDE PINS USE $\phi 3.56 \pm 0.08$ (PTH), $\phi 3.66$ (DRILL) & $\phi 6.5$ (PAD).
 - MINIMUM CIRCUIT BOARD THICKNESS: 1.0mm.
 - REFER TO MOLEX PRODUCT SPECIFICATION PS-170540-999 FOR PERFORMANCE SPECIFICATIONS AND ADDITIONAL PCB INFORMATION.
 - THIS PART CONFORMS TO CLASS B REQUIREMENTS OF MOLEX COSMETIC SPEC PS-45499-002.
 - PARTS PACKAGED PER PK-70873-759.

MIGRATED TO NX		EC NO: 168852		2017/10/25		DRWN: NVELUSAMY		2017/11/30		CHKD: CD		2017/12/01		REV / APPR: GGA		2017/12/01	
GENERAL TOLERANCES (UNLESS SPECIFIED)				DIMENSION UNITS		SCALE		THIS DRAWING CONTAINS INFORMATION THAT IS PROPRIETARY TO MOLEX ELECTRONIC TECHNOLOGIES, LLC AND SHOULD NOT BE USED WITHOUT WRITTEN PERMISSION									
ANGULAR TOL ± 2.0 °				MM		4:1		DRAWN BY								DATE	
4 PLACES ±				DRWN BY		DATE		JBINGHAM				2010/05/19					
3 PLACES ±				CHKD BY		DATE		JLAURX				2010/05/19					
2 PLACES ± 0.13				APPR BY		DATE		JLAURX				2013/05/21					
1 PLACE ± 0.25				DRAWING SIZE		THIRD ANGLE PROJECTION		SERIES				MATERIAL NUMBER					
0 PLACES ±				C		THIRD ANGLE PROJECTION		170475				SEE TABLE					
DRAFT WHERE APPLICABLE MUST REMAIN WITHIN DIMENSIONS				DOCUMENT NUMBER		DOC TYPE		DOC PART		SHEET NUMBER							
				D3		C		SD-170475-0003				PSD 001 1 OF 3					

PART NUMBER LOGIC

170475-****

MODULE TYPE
 5 = GUIDE RIGHT, MATTE TIN
 9 = GUIDE RIGHT END WALL, MATTE TIN

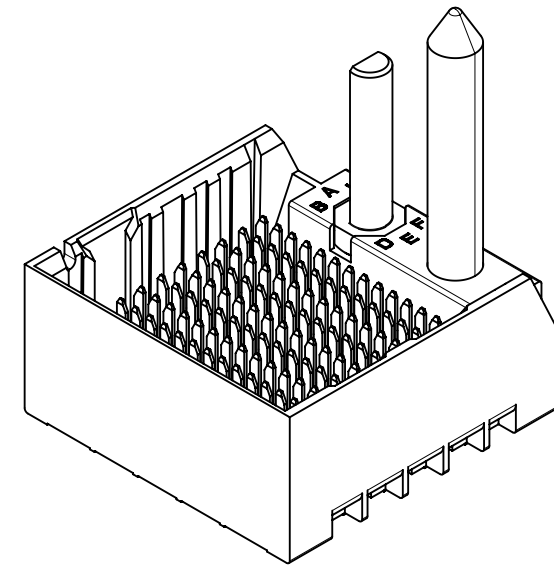
OF COLUMNS
 1 = 10 COL
 2 = 12 COL
 6 = 16 COL
 8 = 8 COL

P=PIN LENGTH
 3 = 4.50 (SHORT COMPLIANT, 0.46±0.05 PTH)
 4 = 4.90 (SHORT COMPLIANT, 0.46±0.05 PTH)
 5 = 5.50 (SHORT COMPLIANT, 0.46±0.05 PTH)
 6 = 4.50 (MICRO COMPLIANT, 0.39±0.05 PTH)
 7 = 4.90 (MICRO COMPLIANT, 0.39±0.05 PTH)
 8 = 5.50 (MICRO COMPLIANT, 0.39±0.05 PTH)

KEY ORIENTATION
 0 = NO KEY
 1 = A
 2 = B
 3 = C
 4 = D
 5 = E
 6 = F
 7 = G
 8 = H

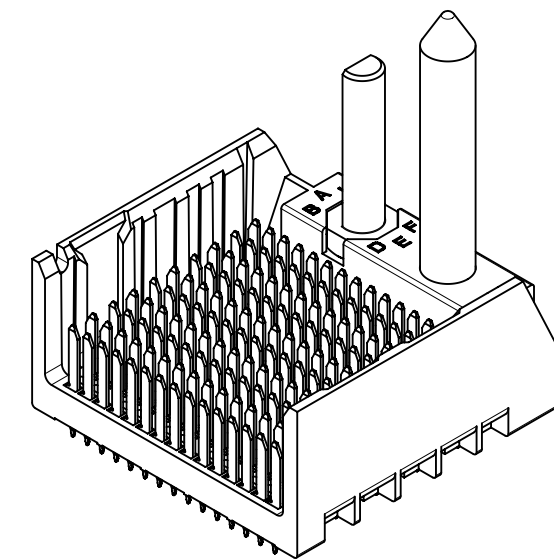
PART NUMBER CHART

MATERIAL NUMBER	# OF COLUMNS	# OF DIFF PAIR	DIM. A	DIM. B	GUIDE RIGHT END WALL OPTION
170475-98**	8	40	23.1	13.30	
170475-91**	10	50	26.9	17.10	
170475-92**	12	60	30.7	20.90	
170475-96**	16	80	38.3	28.50	



GUIDE RIGHT
END WALL
OPTION

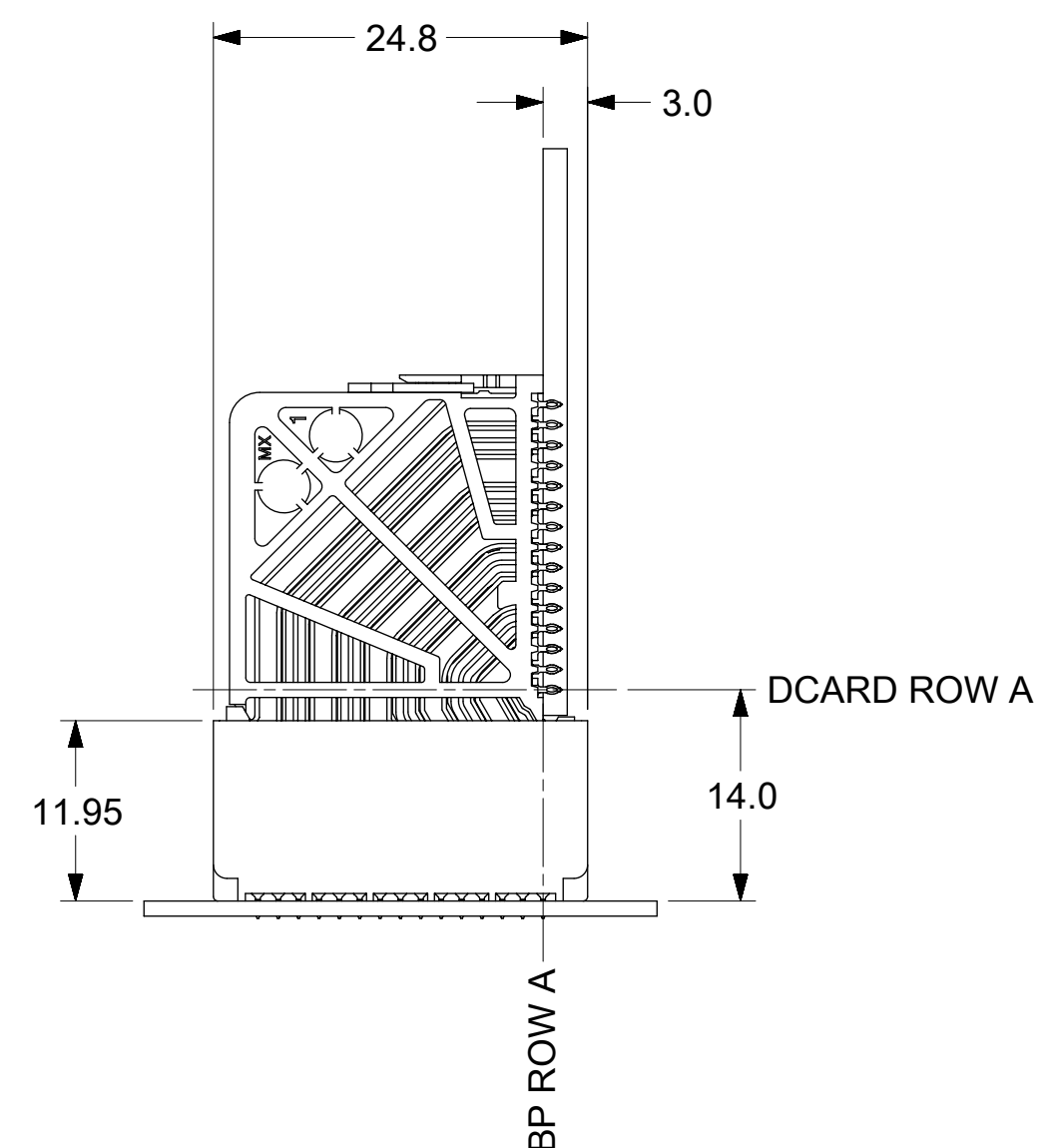
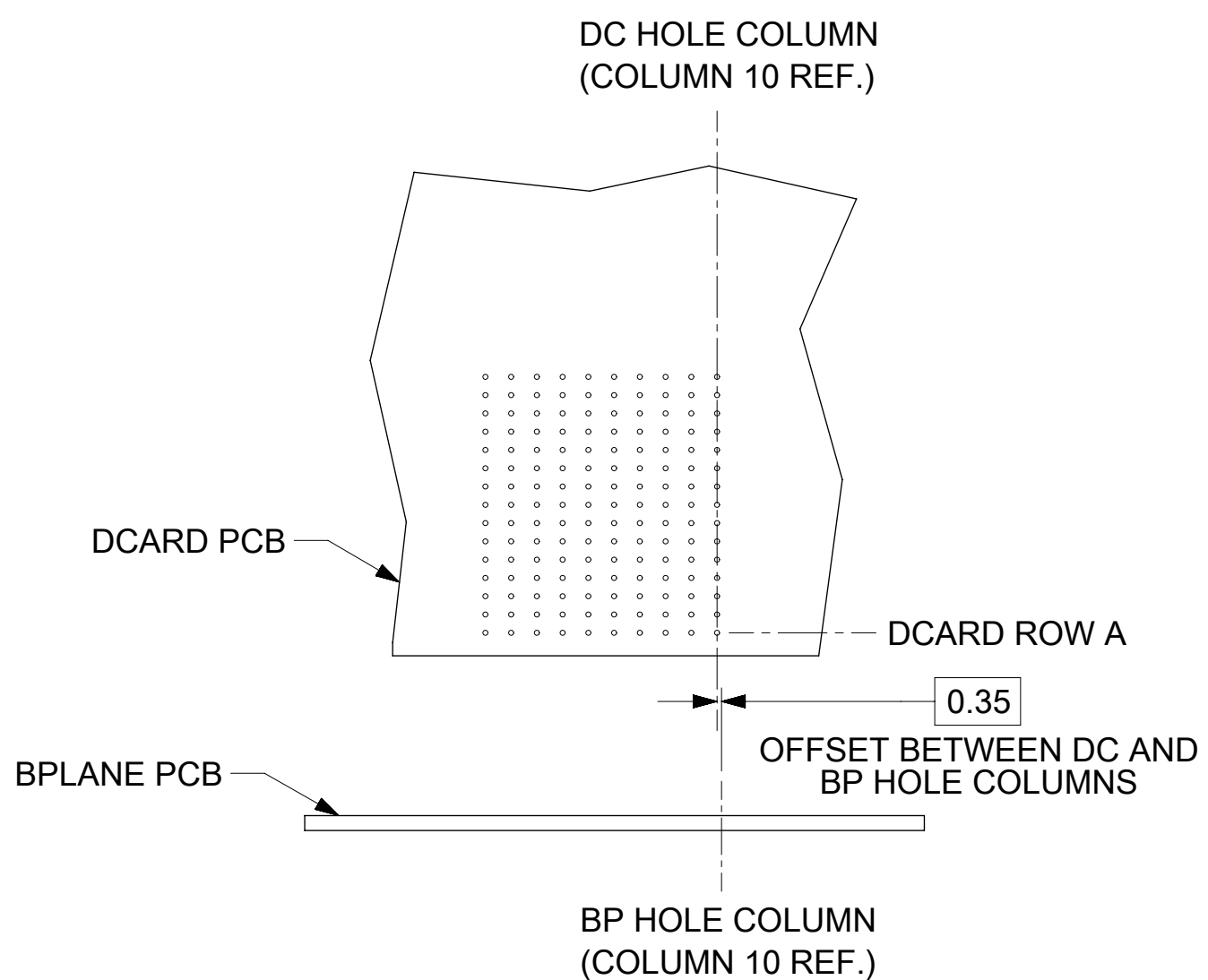
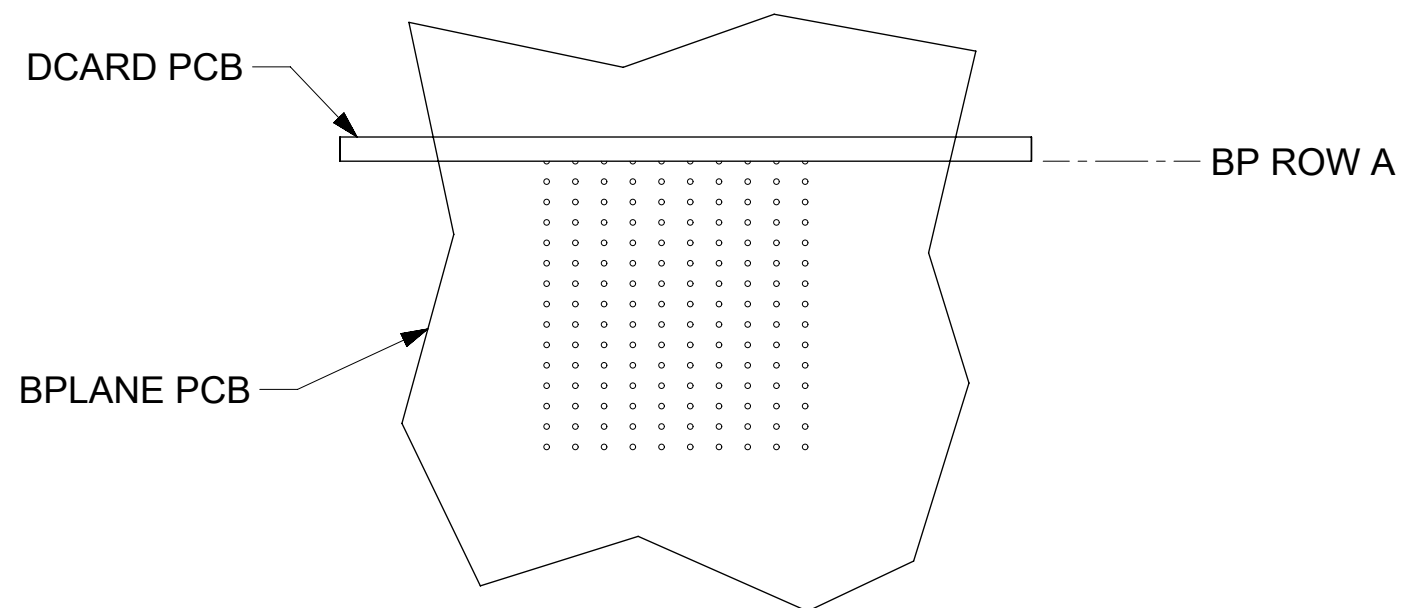
MATERIAL NUMBER	# OF COLUMNS	# OF DIFF PAIR	DIM. A	DIM. B	GUIDE RIGHT OPEN WALL OPTION
170475-58**	8	40	21.7	13.30	
170475-51**	10	50	25.5	17.10	
170475-52**	12	60	29.3	20.90	
170475-56**	16	80	36.9	28.50	



GUIDE RIGHT
OPEN WALL
OPTION

THIS DRAWING CONTAINS INFORMATION THAT IS PROPRIETARY TO MOLEX ELECTRONIC TECHNOLOGIES, LLC AND SHOULD NOT BE USED WITHOUT WRITTEN PERMISSION												
MIGRATED TO NX EC NO: 168852 DRWN: NVELUSANY CHKD: CD REV: APPR: GGA	2017/10/25	2017/11/30	2017/12/01	GENERAL TOLERANCES (UNLESS SPECIFIED)		DIMENSION UNITS	SCALE	molex IMPACT 5-PAIR 85-OHM RIGHT GUIDED BACKPLANE SALES ASSEMBLY DRAWING				
	ANGULAR TOL ± 2.0 °		MM	2:1								
	4 PLACES ±	DRWN BY		DATE		JBINGHAM		2010/05/19		PRODUCT CUSTOMER DRAWING		
	3 PLACES ±	CHKD BY		DATE		JLAURX		2010/05/19		SERIES	MATERIAL NUMBER	CUSTOMER
	2 PLACES ± 0.13	APPR BY		DATE		JLAURX		2013/05/21		170475	SEE TABLE	GENERAL MARKET
1 PLACE ± 0.25	DRAFT WHERE APPLICABLE MUST REMAIN WITHIN DIMENSIONS		DRAWING SIZE		THIRD ANGLE PROJECTION		C		DOCUMENT NUMBER SD-170475-0003			
0 PLACES ±									DOC TYPE	DOC PART	SHEET NUMBER	
									PSD	001	2 OF 3	

IMPACT 5 PAIR BOARD RELATIONSHIPS



THIS DRAWING CONTAINS INFORMATION THAT IS PROPRIETARY TO MOLEX ELECTRONIC TECHNOLOGIES, LLC AND SHOULD NOT BE USED WITHOUT WRITTEN PERMISSION

MIGRATED TO NX EC NO: 168852 DRWN: NVELUSAMY CHKD: CD REV / APPR: GGA	2017/10/25		2017/11/30		2017/12/01		GENERAL TOLERANCES (UNLESS SPECIFIED)		DIMENSION UNITS: MM		SCALE: 3:1		molex IMPACT 5-PAIR 85-OHM RIGHT GUIDED BACKPLANE SALES ASSEMBLY DRAWING		
	4 PLACES		±		3 PLACES		±		DRWN BY: JBINGHAM		DATE: 2010/05/19				
	3 PLACES		±		2 PLACES		± 0.13		CHKD BY: JLAURX		DATE: 2010/05/19		SERIES: 170475 MATERIAL NUMBER: SEE TABLE CUSTOMER: GENERAL MARKET		
	1 PLACE		± 0.25		0 PLACES		±		APPR BY: JLAURX		DATE: 2013/05/21				
DRAFT WHERE APPLICABLE MUST REMAIN WITHIN DIMENSIONS		C		THIRD ANGLE PROJECTION											