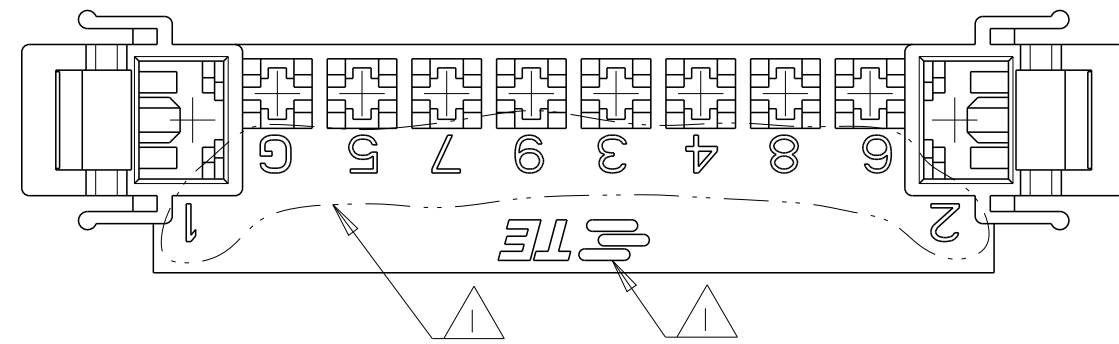
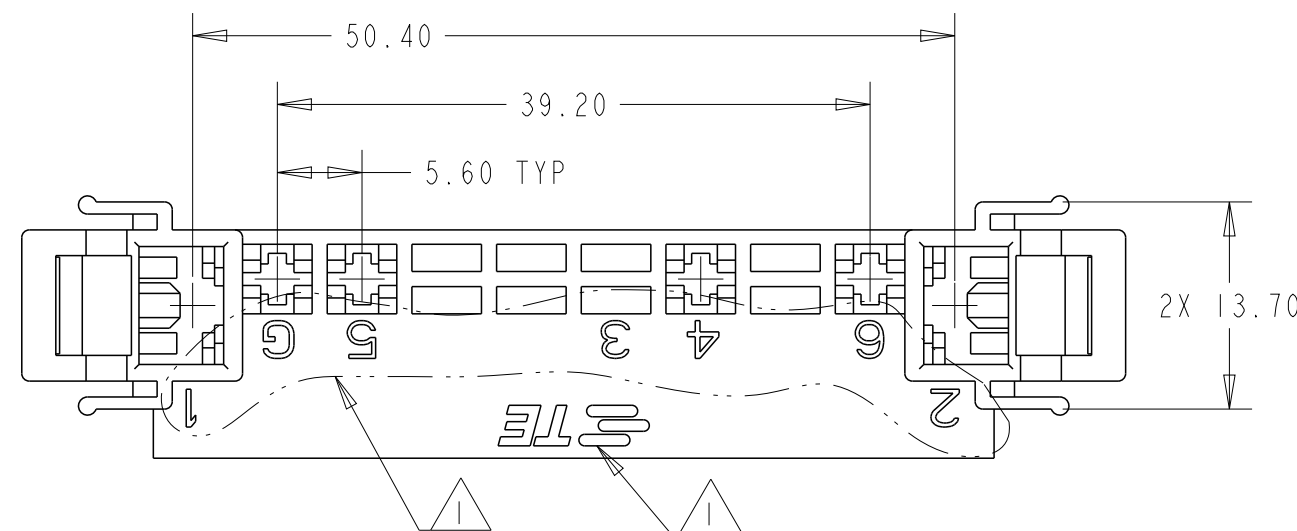


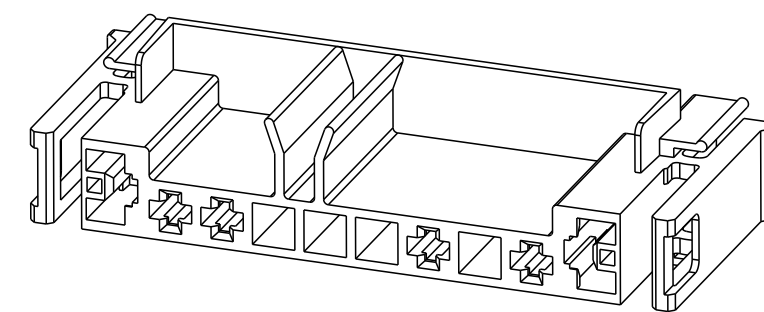
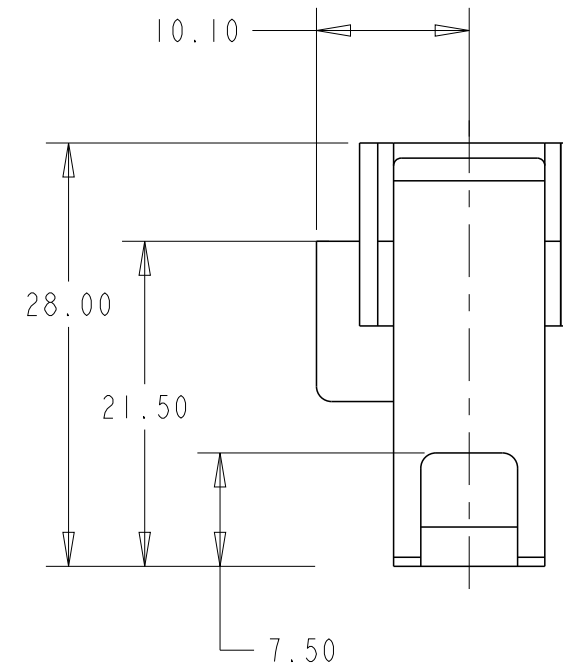
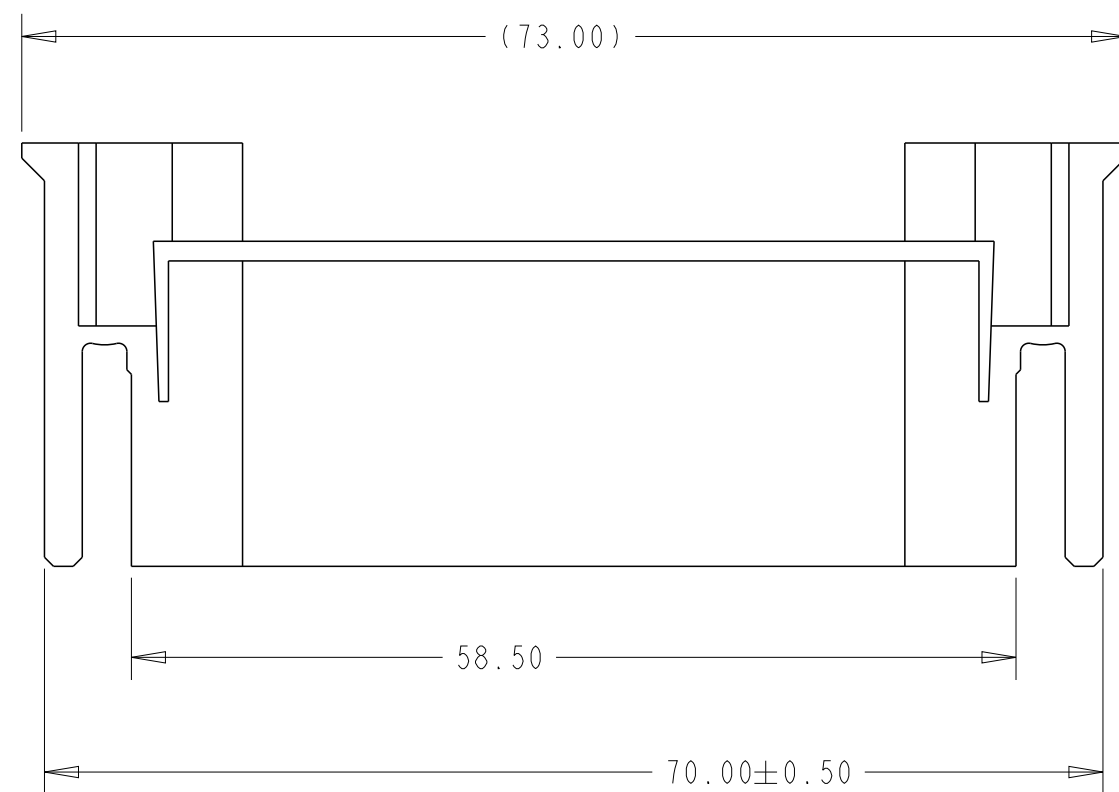
REVISIONS					
P	LTR	DESCRIPTION	DATE	DWN	APVD
A2		REVISED PER ECR-21-116088	02NOV2021	AA	DS
A3		REVISED PER ECR-21-120429	10NOV2021	AA	DS
A4		REVISED PER ECR-22-131617	10MAR2022	SS	WM
A5		REVISED PER ECR-22-145349	07JUL2022	SS	WM



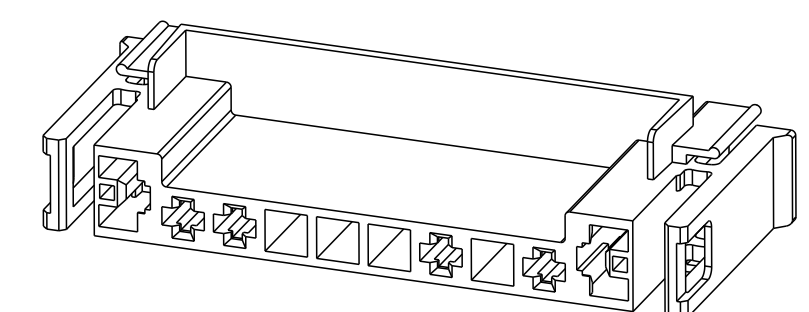
**1-2349332-0
SHOWN ABOVE**



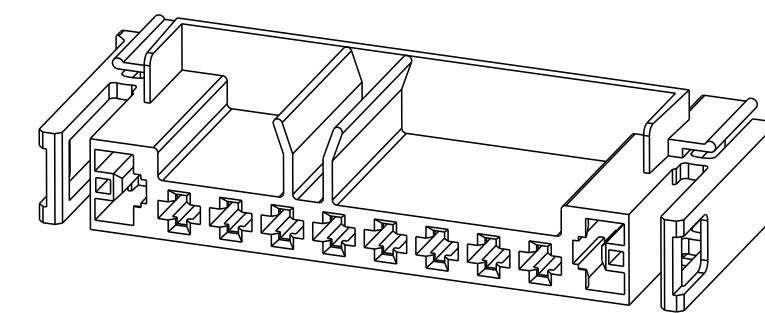
**2349332-6
SHOWN ABOVE**



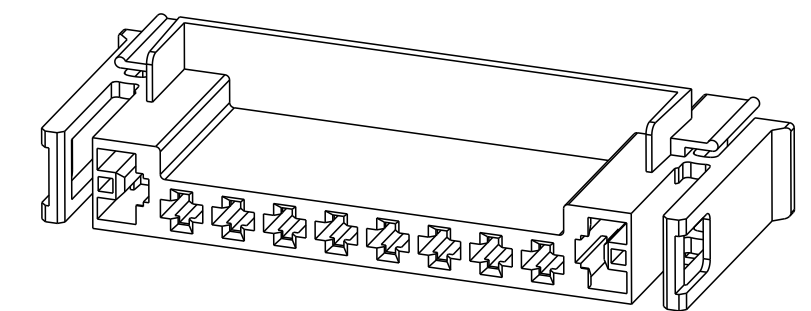
**2349332-1
SHOWN ABOVE**



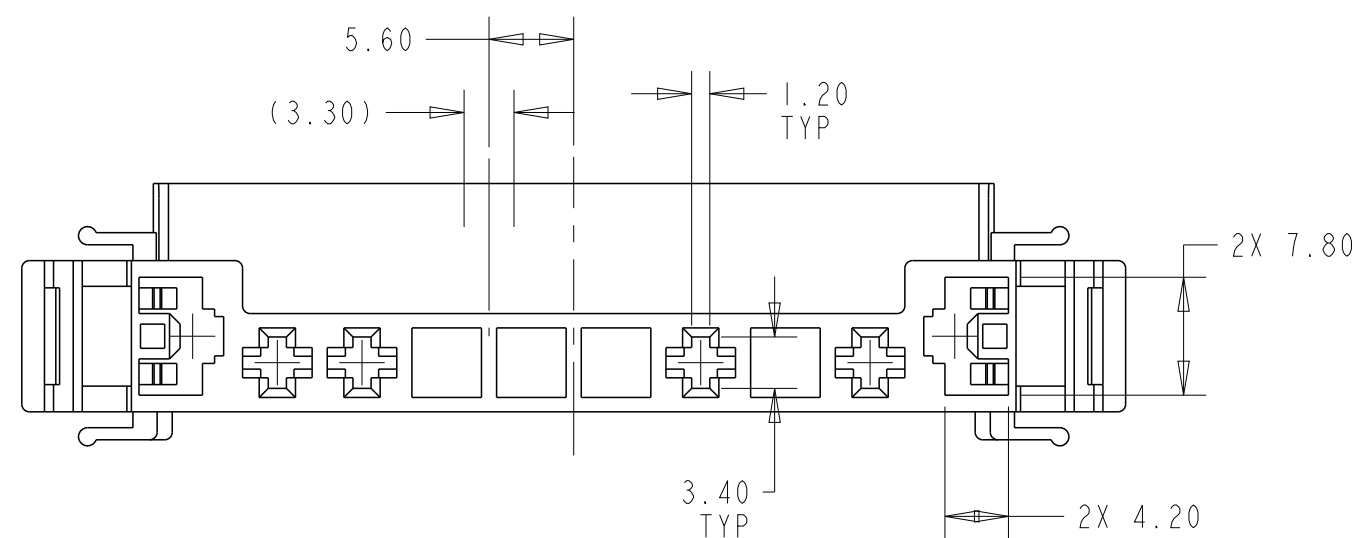
**2349332-6
SHOWN ABOVE**



**2349332-2
SHOWN ABOVE**



**1-2349332-0
SHOWN ABOVE**



1. TRADE MARK AND CIRCUIT NUMBERS SHALL BE LOCATED APPROXIMATELY WHERE SHOWN.

2. APPLICABLE CONTACT PART NUMBERS:
PART NUMBER-170329-1 (250)
PART NUMBER-1217039-1 (125)

NO	NYLON UL94 V-0 PER IEC 60335-1, GWEPT OF 775°C WITH NO FLAME	1-2349332-0
NO		2349332-6
YES		2349332-2
YES		2349332-1
RIBS		MATERIAL
OBSOLETE		PART NUMBER

THIS DRAWING IS A CONTROLLED DOCUMENT.		DWN B. WEAVER 01JUL2020	STE TE Connectivity	
DIMENSIONS: mm		CHK D. SHUKLA 01JUL2020		
TOLERANCES UNLESS OTHERWISE SPECIFIED:		APVD W. MOYER 01JUL2020	NAME 125/250 MOTOR CONNECTOR (GWT)	
0 PLC ±	1 PLC ±	PRODUCT SPEC	SIZE	CAGE CODE
2 PLC ±0.30	3 PLC ±	APPLICATION SPEC	A2	00779
4 PLC ±	ANGLES ±	WEIGHT	DRAWING NO	RESTRICTED TO
FINISH		CUSTOMER DRAWING	G-2349332	
SEE TABLE		SCALE 5:1	SHEET 1 OF 1	REV A5