

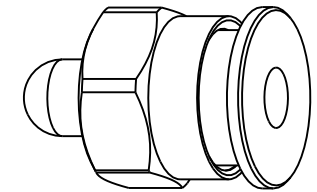
NOTES:

1. MATERIALS AND FINISHES:  
 BODY - ZINC DIE CAST, NICKEL PLATING (.000100 THICK MIN)  
 RESISTOR CONTACT - 75 OHMS 1/4 WATT, COPPER WIRE LEAD, MATTE TIN PLATING  
 INSULATOR - PTFE  
 CAP - PE
2. ELECTRICAL:  
 A. IMPEDANCE: 75 OHM  
 B. FREQUENCY RANGE: DC - 3 GHz  
 C. VSWR(RETURN LOSS): 24 dB @ 2 GHz MIN.
3. MECHANICAL:  
 A. DURABILITY: 100 CYCLES MIN.  
 B. TEMPERATURE RANGE: -40° C TO 140° C
4. PACKAGING:  
 A. QUANTITY: SINGLE PACK  
 B. MARKING: BAG TO BE MARKED  
 "AMPHENOL, 531-40172, AND DATE CODE"

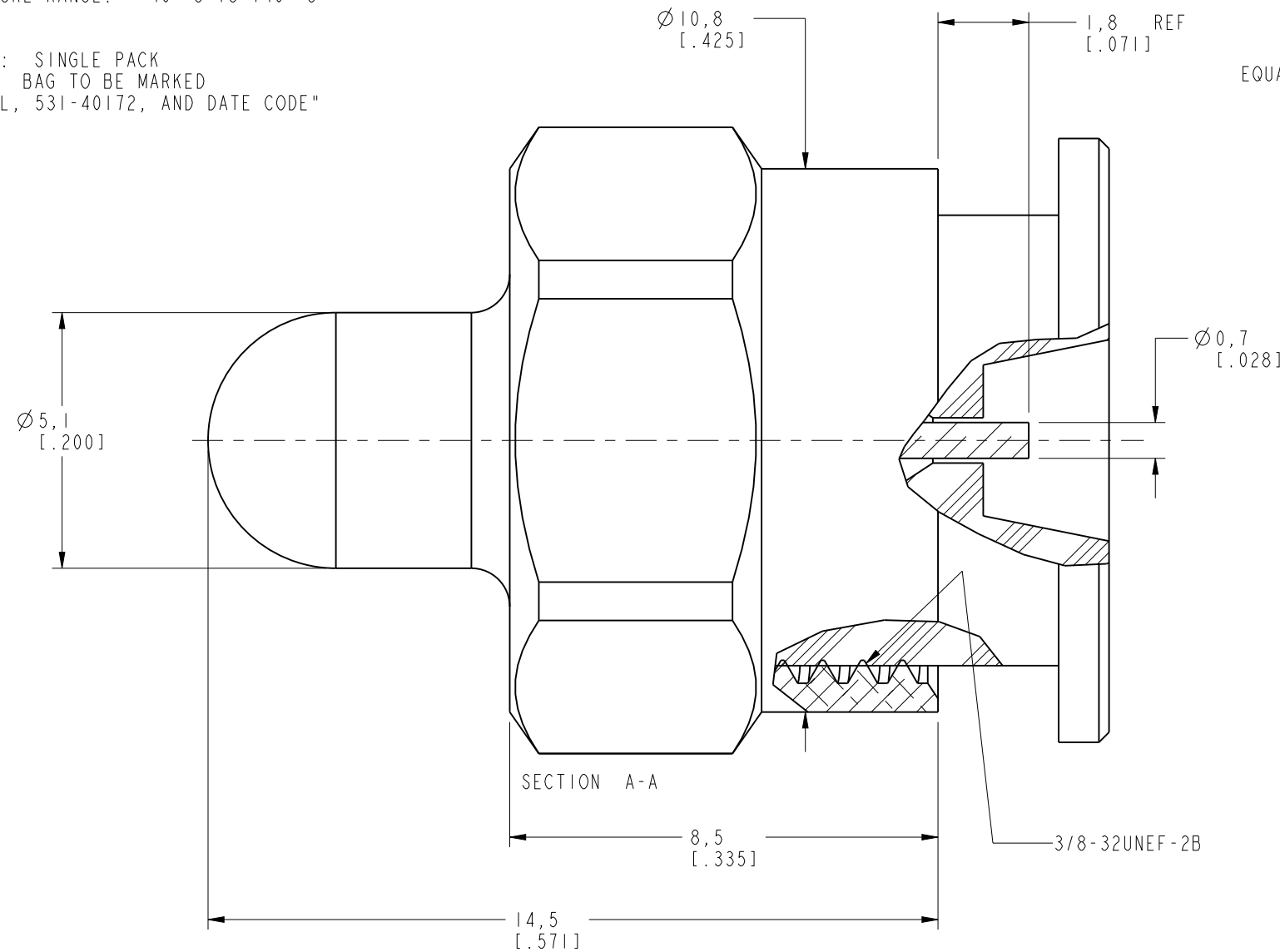
THIRD ANGLE PROJ.

REVISIONS

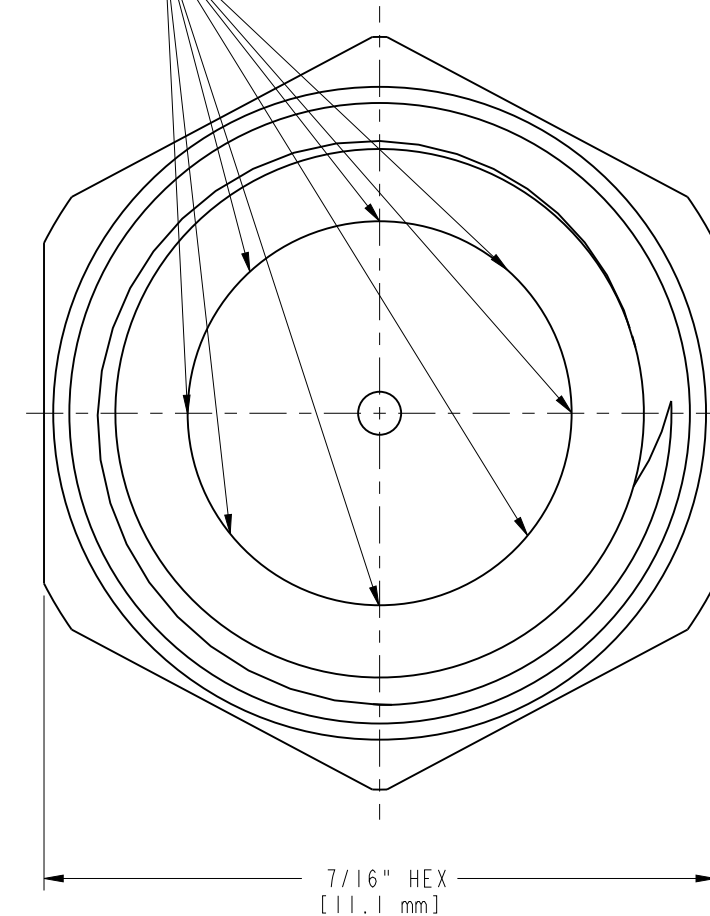
REV	DESCRIPTION	DATE	ECO	APPR
A	RELEASE TO MFG.	12/16/03	44738	KJC
B	CHANGED BRIGHT TIN PLATING TO NICKEL	1/23/09	47393	MY
C	ADDED CAP TO CONNECTOR	6/15/10	48066	CPM
D	"1.8REF." WAS "2.54±0.25"; ADDED DIA .425	18-Aug-11	48259	SCOTT
E	ADD STAKING\DMI2053101S1	31-May-12	49114	SL



SCALE 2.000



STAKE IN 8 PLACES  
EQUALLY SPACED 45° APART



CAP IS NOT SHOWN IN THIS VIEW

**CUSTOMER OUTLINE DRAWING**

ALL OTHER SHEETS ARE FOR INTERNAL USE ONLY

UNLESS OTHERWISE SPECIFIED, DIMENSIONS ARE IN METRIC AND TOLERANCES ARE:  
 <0.5mm ± 0.05mm    0.5 - 6mm ± 0.1mm    6 - 30mm ± 0.2mm    30 - 120mm ± 0.3mm    ANGLES ± 1°

NOTICE - These drawings, specifications, or other data (1) are, and remain the property of Amphenol corp. (2) must be returned upon request; and (3) are confidential and not to be disclosed to any person other than those to whom they are given by Amphenol Corp. the furnishing of these drawings, specifications, or other data by Amphenol Corp., or to any other person to anyone for any purpose is not to be regarded by implication or otherwise in any manner licensing, granting rights to permitting such holder or any other person to manufacture, use or sell any product, process or design, patented or otherwise, that may in any way be related to or disclosed by said drawings, specifications, or other data.

MATERIAL SEE NOTES	DRAWN S.LI	DATE 05-Jun-12	TITLE F TERMINATION		Amphenol RF Danbury CT USA, Tainan, Taiwan, Shenzhen, China www.amphenolrf.com	
REFERENCE EAR # 1135 616X-1112-100 MOTOROLA 482093	ENGINEER K.CAPOZZI	DATE 14-Oct-03				
FINISH	APPROVED S.HSIEH	DATE 05-Jun-12	SCALE: 8.0:1.0	SHEET 2 OF 2	DRAWING NO. 531-40172	
	CAD FILE		DWG SIZE B	REV E	ITEM NO. 531-40172	
					PART NO. 531-40172	