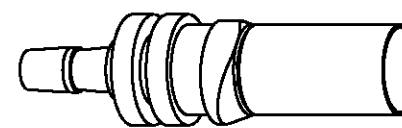


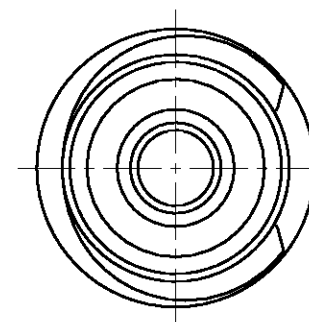
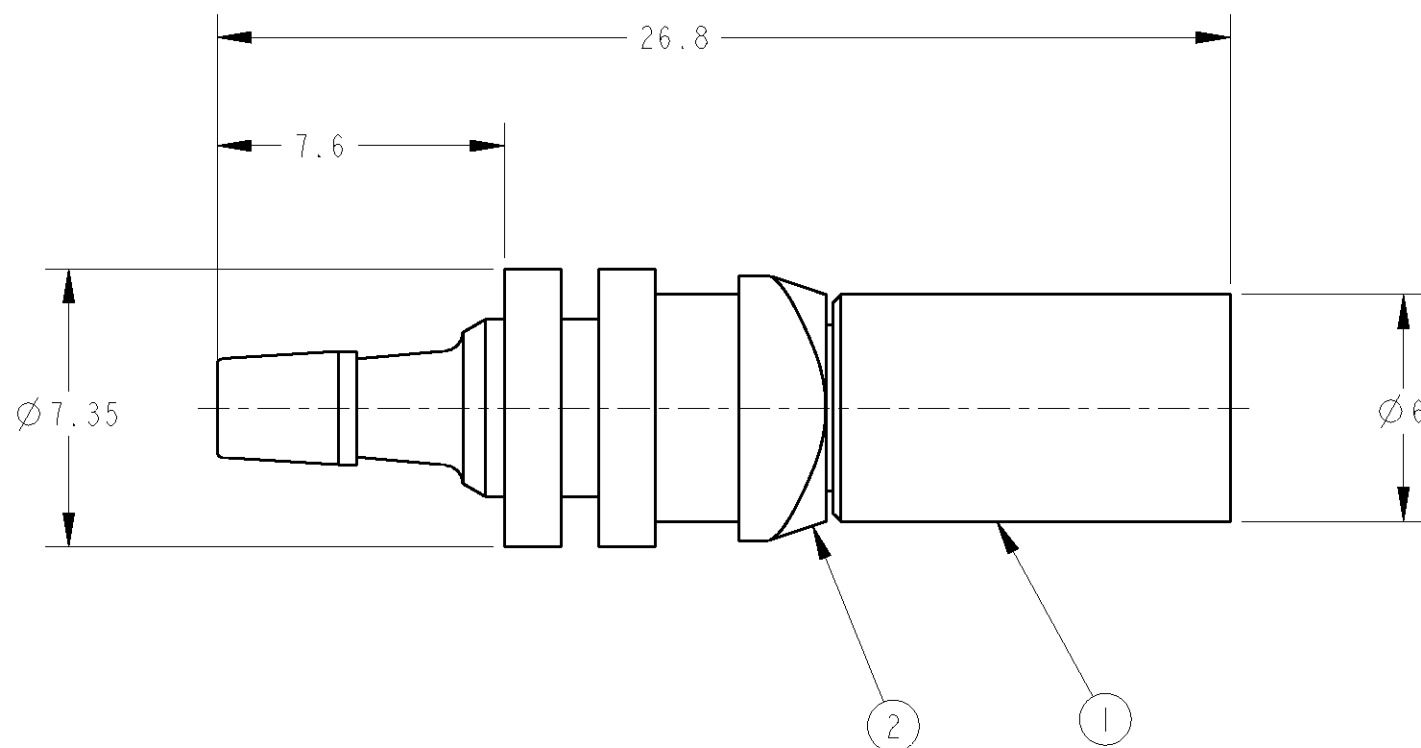
THIS DRAWING IS UNPUBLISHED. RELEASED FOR PUBLICATION 20
 © COPYRIGHT 20 BY TYCO ELECTRONICS CORPORATION. ALL RIGHTS RESERVED.

LOC	DIST	REVISIONS			
P	LTR	DESCRIPTION	DATE	DWN	APVD
J	-	A	RELEASED	10NOV2006	T.S D.M

AS SHOWN:1903289-1



スケール 2:1



注記

- 1. 適合チューブφ4(外径φ4、内径φ2.5)
- 2. 使用流体:空気
- 3. 最高使用圧力:0.8MPa

NOTE

- 1. Applicable TUBEφ4(OutsideDiameterφ4, InsideDiameterφ2.5)
- 2. Use Fluid:Air
- 3. Max Pressure:0.8MPa

1	ポリエステル樹脂 POLYESTER RESIN	プラスチックリング PLASTIC RING	2
1	ポリアセタール樹脂 POM	メスコンタクト FEMALE CONTACT	1
-1	材質 仕上げ MATERIAL FINISH	名称 NAME	ITEM NO

DIMENSIONS:		TOLERANCES UNLESS OTHERWISE SPECIFIED:		DWN		Tyco Electronics			
mm		0 PLC	± 0.3	T. Sakamoto	10NOV2006	Tyco Electronics AMP K.K. Kawasaki, Japan			
		1 PLC	± 1°	CHK D. Mitsugi	10NOV2006	NAME メスコンタクト(DIA4チューブ) FEMALE CONTACT ASSY(DIA4TUBE) PNEUMATIC CONNECTOR			
		2 PLC	±	APVD D. Mitsugi	10NOV2006				
		3 PLC	±	PRODUCT SPEC				108-78406	
		4 PLC	±	APPLICATION SPEC				-	
MATERIAL -		FINISH -		WEIGHT -		SIZE A3	CAGE CODE 00779	DRAWING NO C=1903289	RESTRICTED TO -
CUSTOMER DRAWING						SCALE 5:1	SHEET 1 OF 1	REV A	