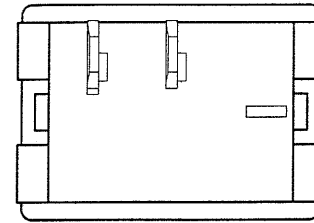
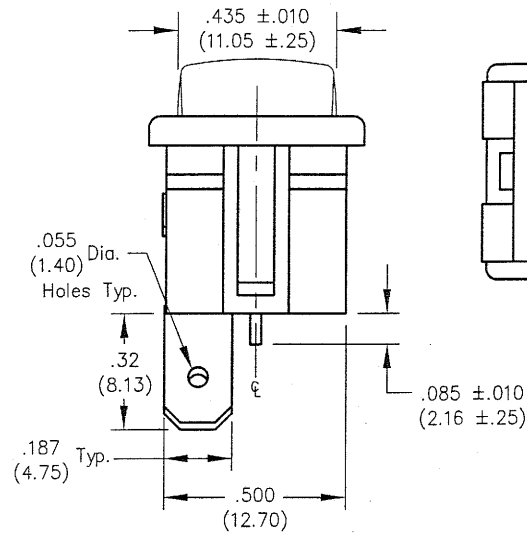
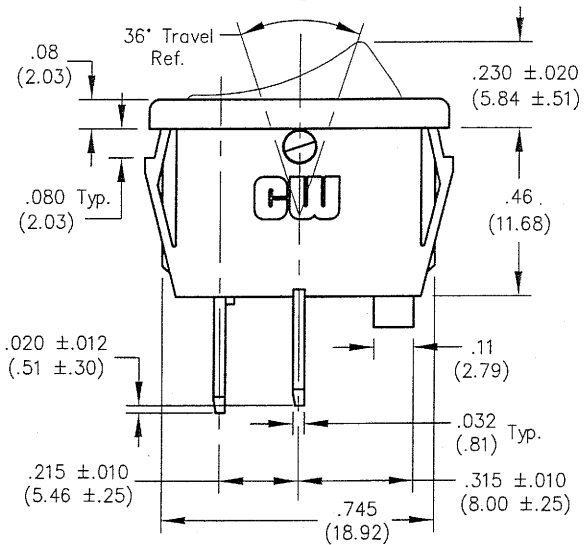
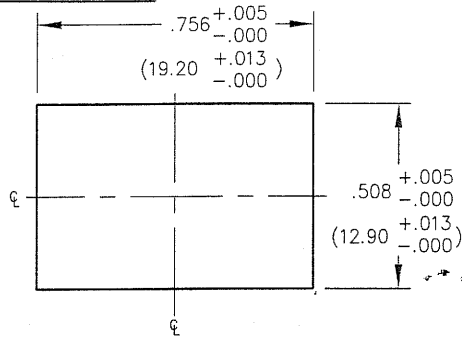
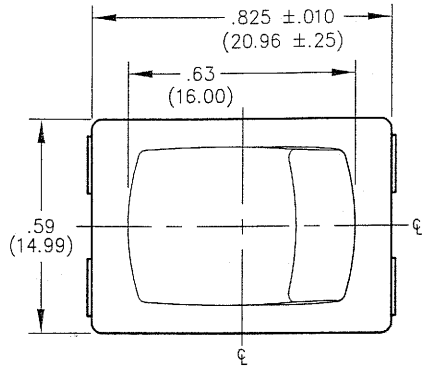


DIMENSIONS IN INCHES (MILLIMETERS)
DO NOT SCALE DRAWING

Dwg. No.
GRSV-4011B-0030

PANEL PIERCING



**BOTTOM VIEW
(Relocated)**

1 2 3 4 5 6 7 8 9 10

B-FORMAT 2002 REVISIONS RELEASED DGW 7-31-2006 AUG 02 2006	CW INDUSTRIES Southampton, Pa. 18966		Title: ROCKER SWIDGET ASSEMBLY (POP-IN) SP/ST-MOMENTARY-ON	
	TOLERANCES UNLESS OTHERWISE SPECIFIED 2 Place Decimal ±.010 METRIC 3 Place Decimal ±.005 1 Place Dec. ±.25mm Angles ±1' 2 Place Dec. ±.13mm			
	Made for: CW IND.			Division: SWITCH
	Drawn by: DGW 7-31-2006 Checked by: <i>G. Guld 8-2-06</i> Approval: <i>f. f. f. 8-2-06</i>			Dwg. No. GRSV-4011B-0030