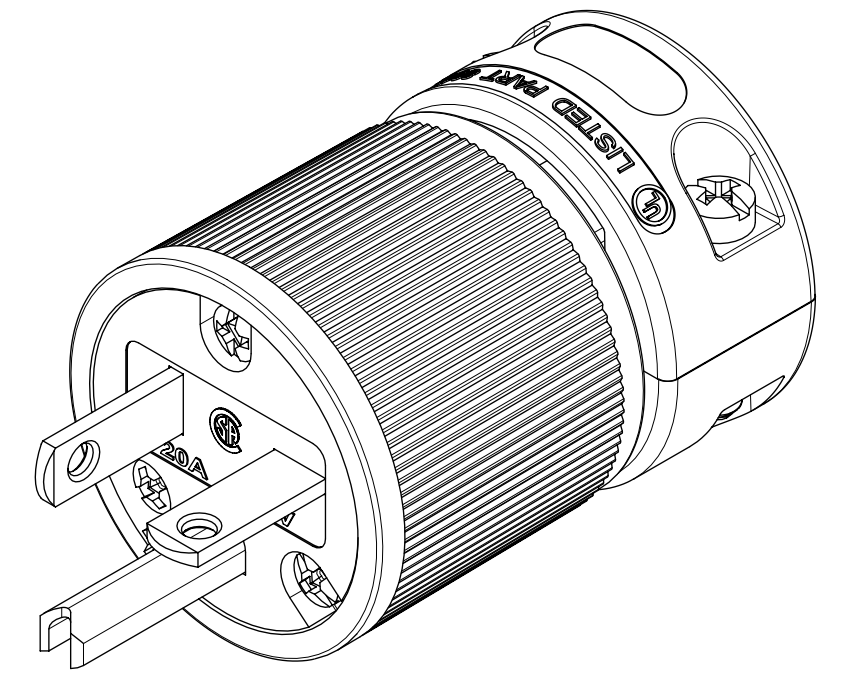
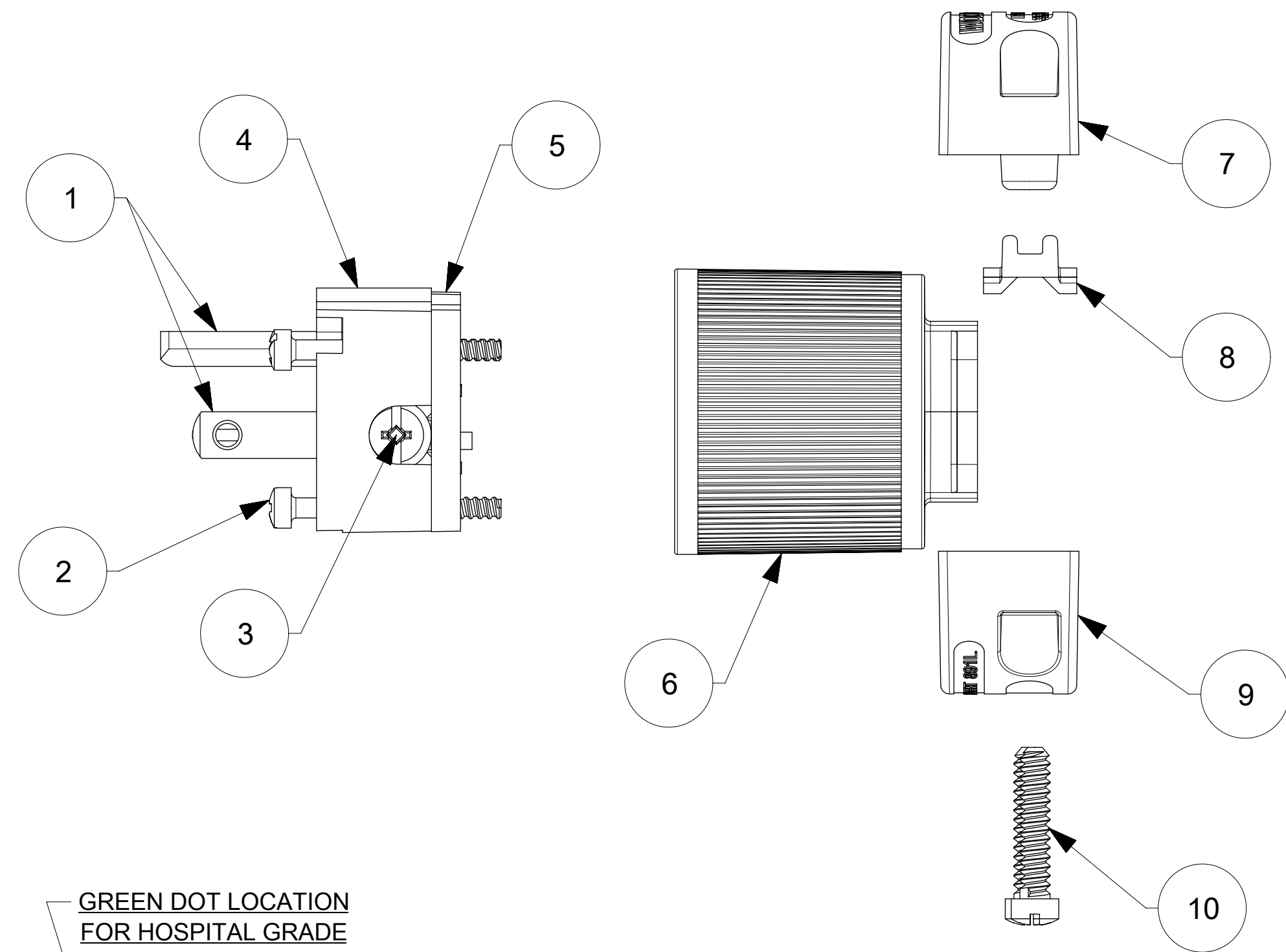
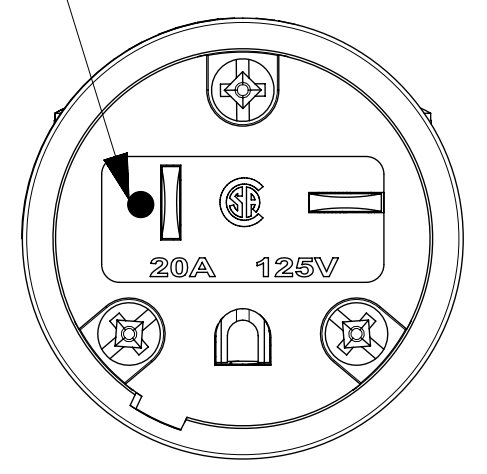


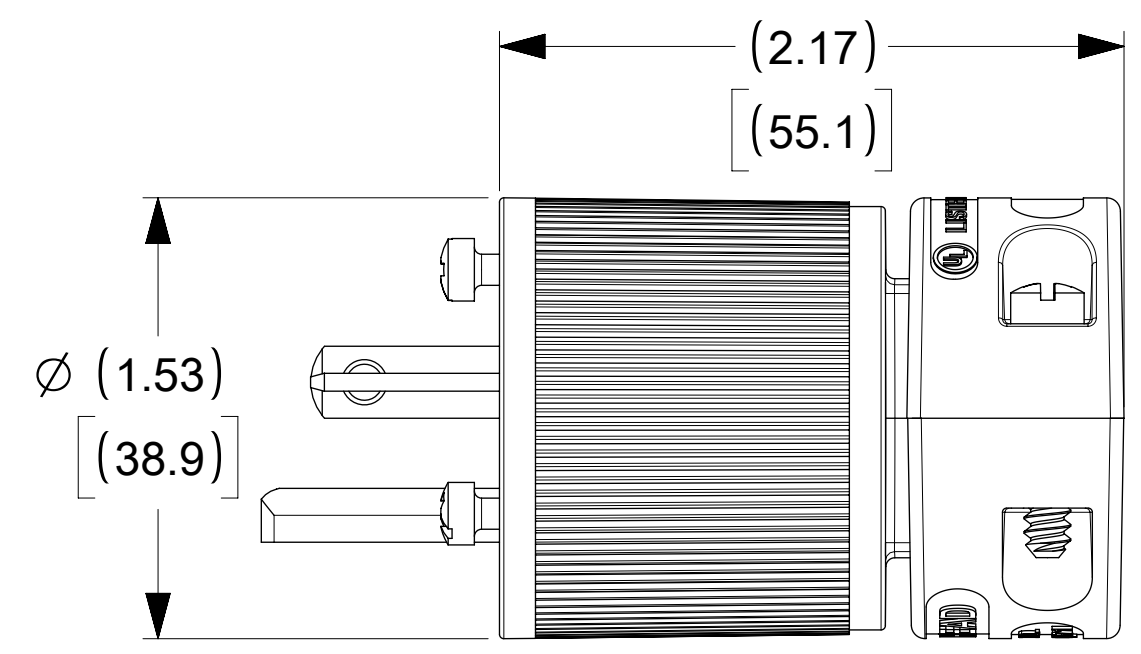
| ORDER NO. | WOODHEAD NO. | COLOR | GRADE |
|-------------|--------------|--------|----------|
| 130144-0053 | 5366 | BLACK | STANDARD |
| 130144-0054 | 5366ORG | ORANGE | STANDARD |
| 130144-0082 | 85366 | BLACK | HOSPITAL |
| 130144-0083 | 85366YL | YELLOW | HOSPITAL |



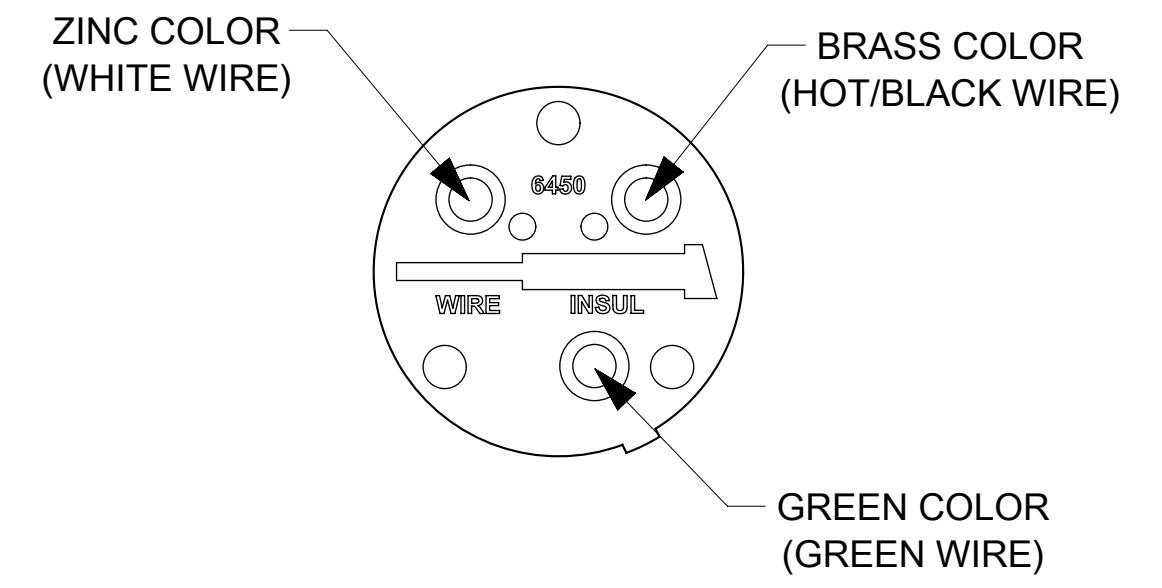
GREEN DOT LOCATION
FOR HOSPITAL GRADE
P/N 85366XX ONLY



FACE VIEW



WIRING TERMINATION



| ITEM NO. | DESCRIPTIONS | MATERIAL | QTY. |
|----------|--------------------------------|--------------------|------|
| 1 | BLADES | BRASS | 3 |
| 2 | RETAINING SCREWS | STAINLESS STEEL | 3 |
| 3 | TERMINAL SCREWS/CLAMP ASSEMBLY | BRASS, ZINC PLATED | 3 |
| 4 | INSERT | NYLON | 1 |
| 5 | TERMINAL COVER | POLYCARBONATE | 1 |
| 6 | HOUSING | NYLON | 1 |
| 7 | CLAMP CORD MALE | NYLON | 1 |
| 8 | CLAMP CORD INSERT | NYLON | 1 |
| 9 | CLAMP CORD FEMALE | NYLON | 1 |
| 10 | RETAINING SCREWS | STEEL, ZINC PLATED | 2 |

THIS DRAWING CONTAINS INFORMATION THAT IS PROPRIETARY TO MOLEX ELECTRONIC TECHNOLOGIES, LLC AND SHOULD NOT BE USED WITHOUT WRITTEN PERMISSION

| | | | | | |
|--|------------------------|--|--------------------------|----------------|--------------|
| DIMENSION UNITS INCH[MM] | SCALE NTS | CURRENT REV DESC: OBSOLETE PART NUMBER AS PER PCN#509987. | molex | | |
| GENERAL TOLERANCES (UNLESS SPECIFIED) | | EC NO: 693623 | | | |
| 4 PLACES ± | MM INCH | DRWN: SANTHN 2021/09/13 | PRODUCT CUSTOMER DRAWING | | |
| 3 PLACES ± | | CHK'D: GGA 2022/03/30 | DOCUMENT NUMBER | | |
| 2 PLACES ± | | APPR: GGA 2022/03/30 | 1301440053 | | |
| 1 PLACE ± | | INITIAL REVISION: | DOC TYPE | DOC PART | REVISION |
| 0 PLACES ± | | DRWN: VBASUTHKARP 2019/02/05 | PSD | 000 | A1 |
| ANGULAR TOL ± ° | | APPR: HKNEELAND 2020/01/25 | MATERIAL NUMBER | CUSTOMER | SHEET NUMBER |
| DRAFT WHERE APPLICABLE MUST REMAIN WITHIN DIMENSIONS | THIRD ANGLE PROJECTION | DRAWING | SEE TABLE | GENERAL MARKET | 1 OF 1 |
| | | C-SIZE | 130144 | | |