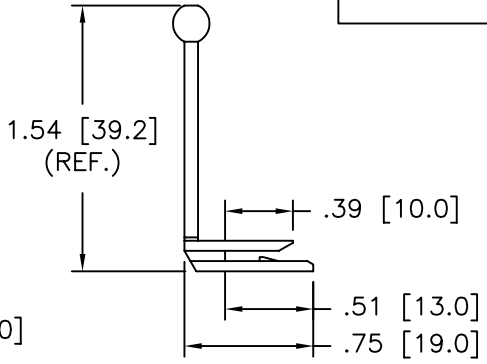
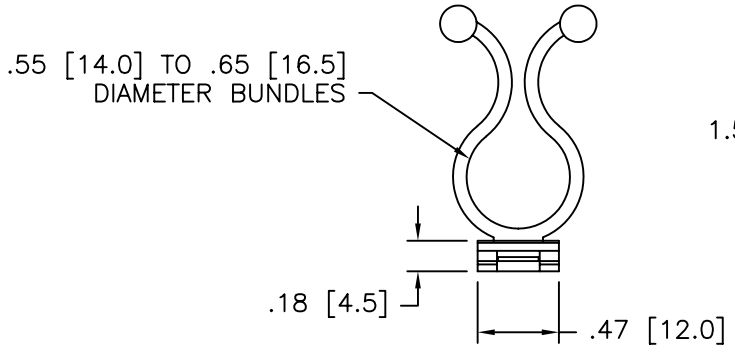
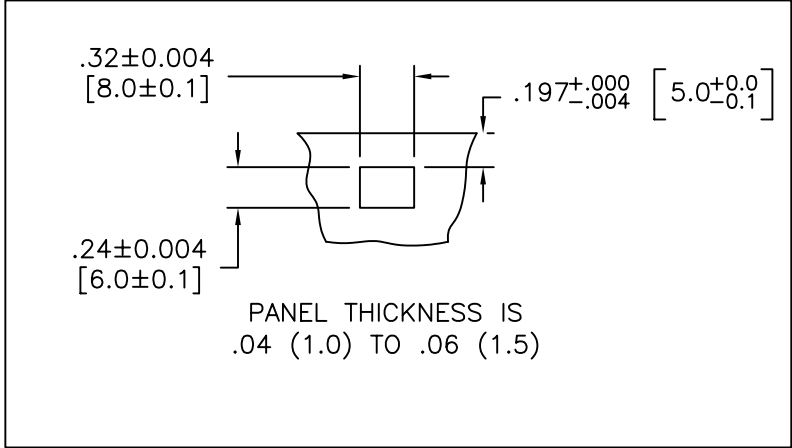


MOUNTING DETAIL



- NOTES:
 1. MATERIAL: NYLON 66, RMS-01.
 2. COLOR: NATURAL.

TITLE: STANDOFF TWIST LOCK-SADDLE MOUNT			DWG IN IN (MM)		FINAL		
TOLERANCES UNLESS NOTED .XX=±.010 .XXX=±.005 FRAC=±1/64 ANG=±1°			FILE # STL-SME	DWN: J.L.	APP:	PART # STL-SME-1-600-01	PRINT TYPE CA
B CORRECTED DIMENSIONS SJ 03.05.02	A CHANGED FILE NUMBER SM 05.31.01	REV DESCRIPTION ENGR DATE	MAT'L: SEE NOTES	DT: 8.3.98	DT:		
			RE: RICHCO, INC.	RICHCO INC. PO BOX 804238, CHICAGO, 60680 (773) 539-4060			