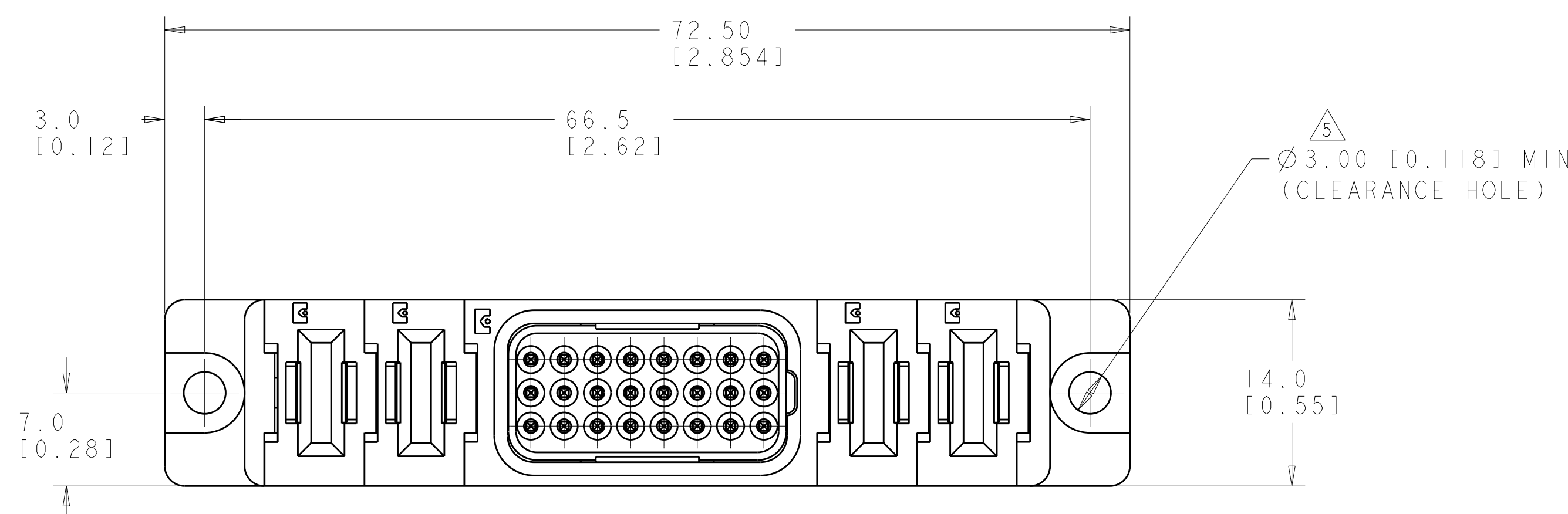


LOC	DIST	REVISIONS			
GP	00	REV	DATE	BY	APPD
		A	31JULY06	RG	DO
		B	12SEP2011	RG	MS

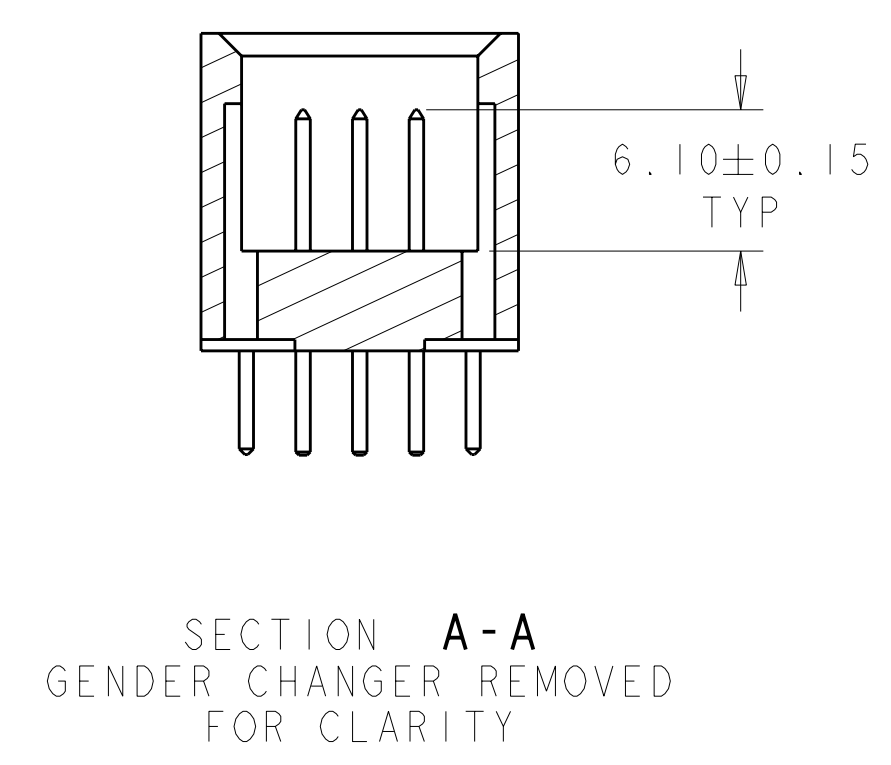
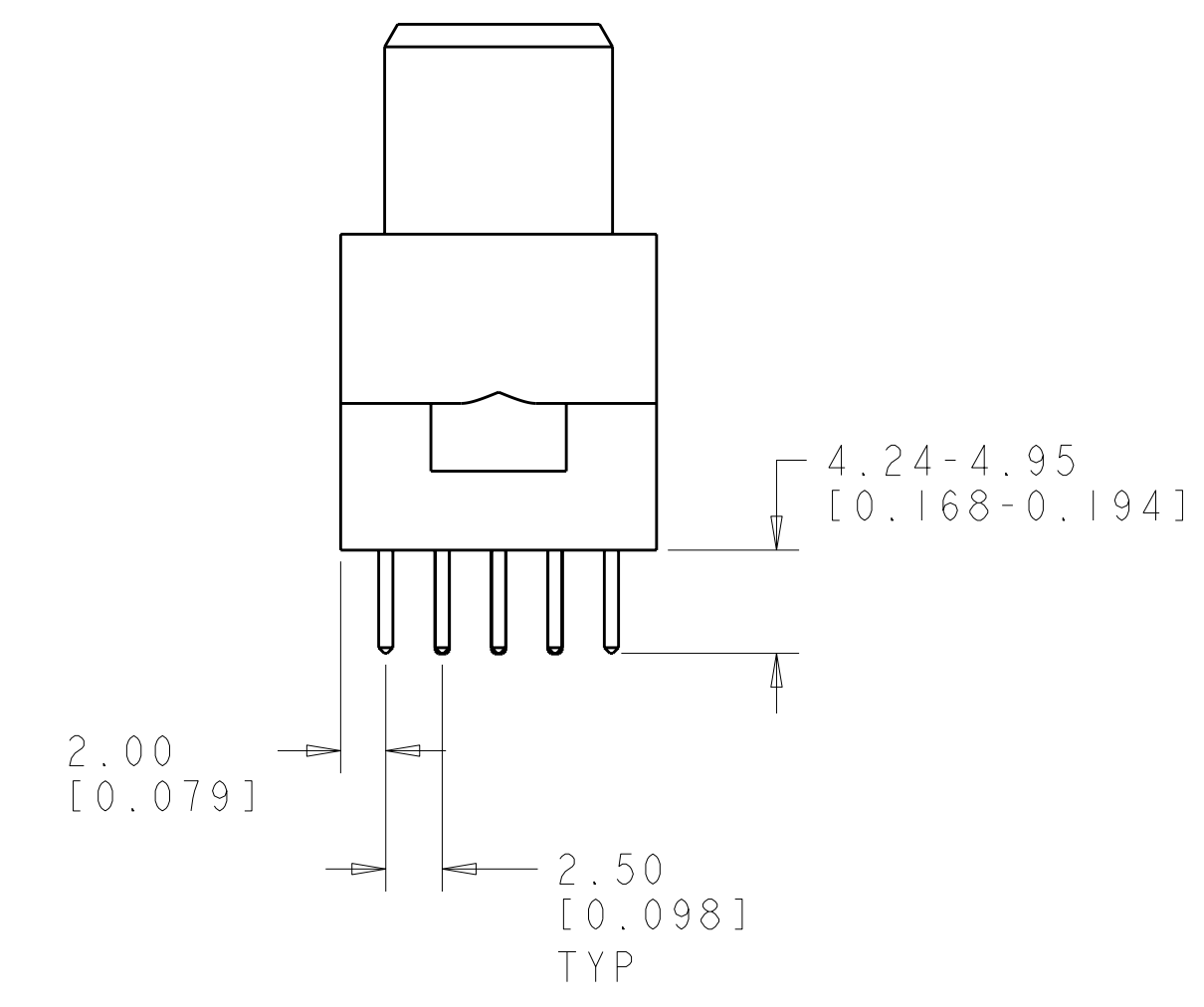
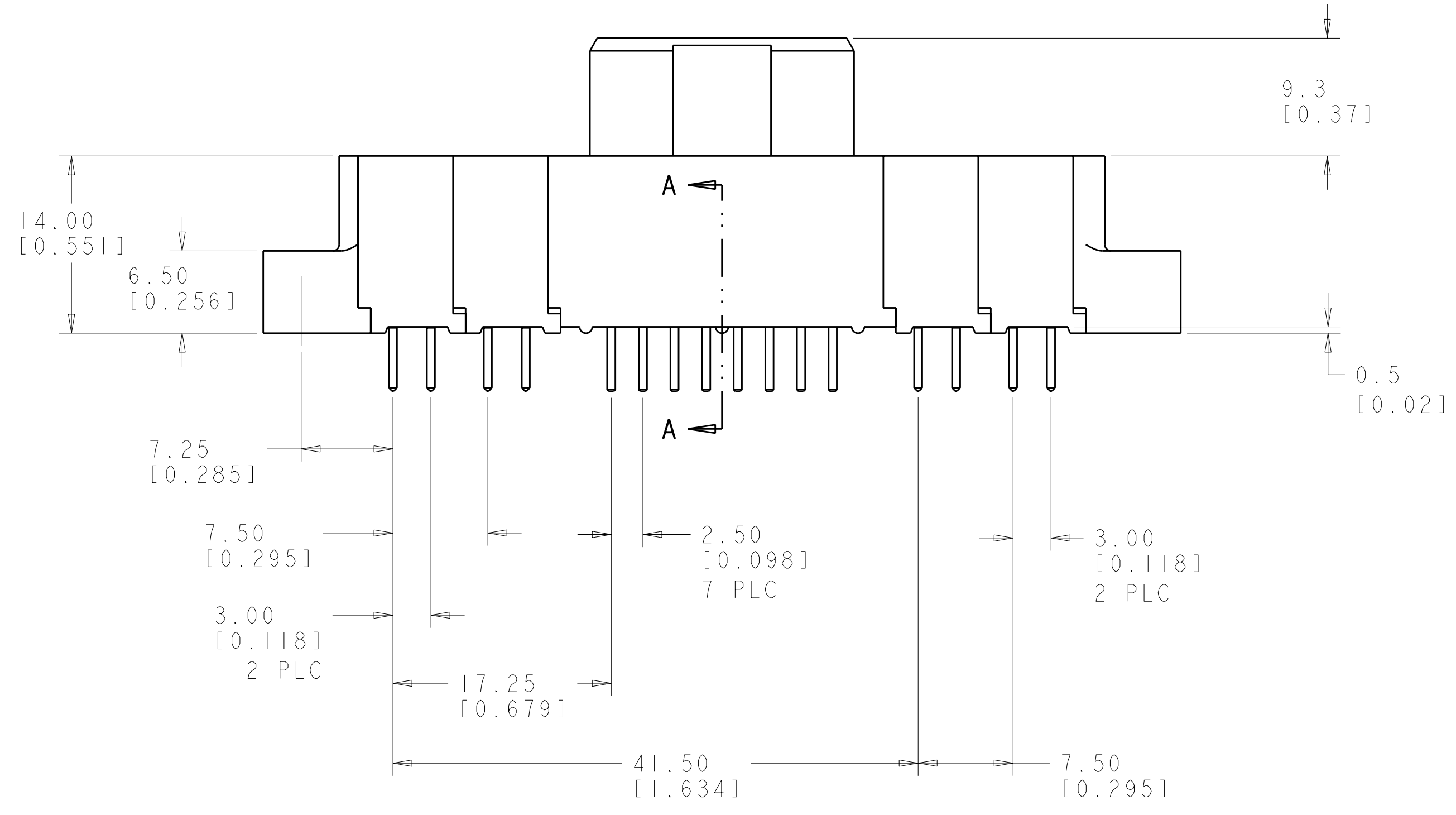


- PART NUMBER CHANGES AND OR DESIGN CHANGES AFFECTING ITEM INTERCHANGEABILITY REQUIRE PRIOR TYCO APPROVAL AND AUTHORIZATION BY REVISION TO THIS DRAWING.
- MATERIAL:
 INSULATORS - THERMOPLASTIC, GLASS REINFORCED, COLOR: BLACK, UL94V-0 FLAMMABILITY RATED.
 POWER CONTACTS - PHOSPHOR BRONZE ALLOY, COPPER ALLOY
 SOLDER SIGNAL PINS-BRASS ALLOY
 CROWN BAND-BERYLLIUM COPPER ALLOY
- FINISH:
 CONTACTS - GOLD PLATE .000030 INCH MIN. THK., OVER NICKEL .000050 INCH MIN. THK
 SOLDER TAILS, TIN .000100 INCH MIN. THK. OVER NICKEL .000050 MIN THK.

△ ITEMS PROVIDED TO THIS SPECIFICATION TO BE PERMANENTLY IDENTIFIED PER THE FOLLOWING IDENTIFIER LABEL

YEAR WEEK
 TYCO PART NO. DATE CODE (e.g. 0106)
 XXXXXXXX-X XXXX

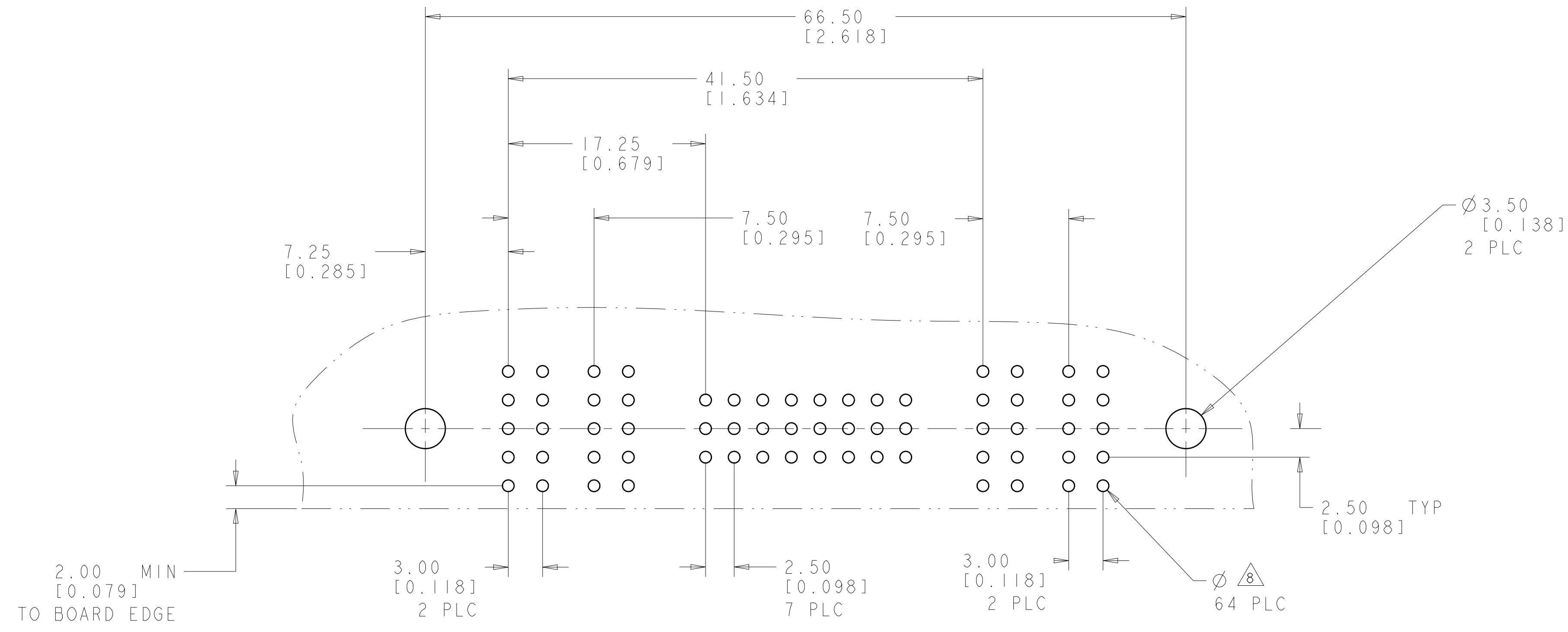
- △ MOUNTING FLANGE ACCEPTS M3 OR #4-40 SCREWS. (USER SUPPLIED)
- ELCON REFERENCE PART NUMBER DESIGNATION: 278-0088-10200A



AS SHOWN	6646277-1
DESCRIPTION	PART NUMBER

DIMENSIONS: mm [INCHES] TOLERANCES UNLESS OTHERWISE SPECIFIED: 9 PLC ± 1 PLC ±0.3 2 PLC ±0.15 3 PLC ± 4 PLC ± ANGLES ± 5		DWN R. GRZYBOWSKI 31JULY06 CHK D. ORRIS 31JULY06 APVD S. FLICKINGER 31JULY06 PRODUCT SPEC APPLICATION SPEC WEIGHT CUSTOMER DRAWING	Tyco Electronics Harrisburg, PA 17105-3608 NAME STRAIGHT SOCKET CONNECTOR SOLDER TAILS SIZE CAGE CODE DRAWING NO. RESTRICTED TO A100779C=6646277 SCALE 3:1 SHEET 1 OF 3 REV B
---	--	--	--

LOC	DIST	REVISIONS					
GP	00	P	LTB	DESCRIPTION	DATE	DWN	APVD
		-	-	SEE SHEET 1	-	-	-



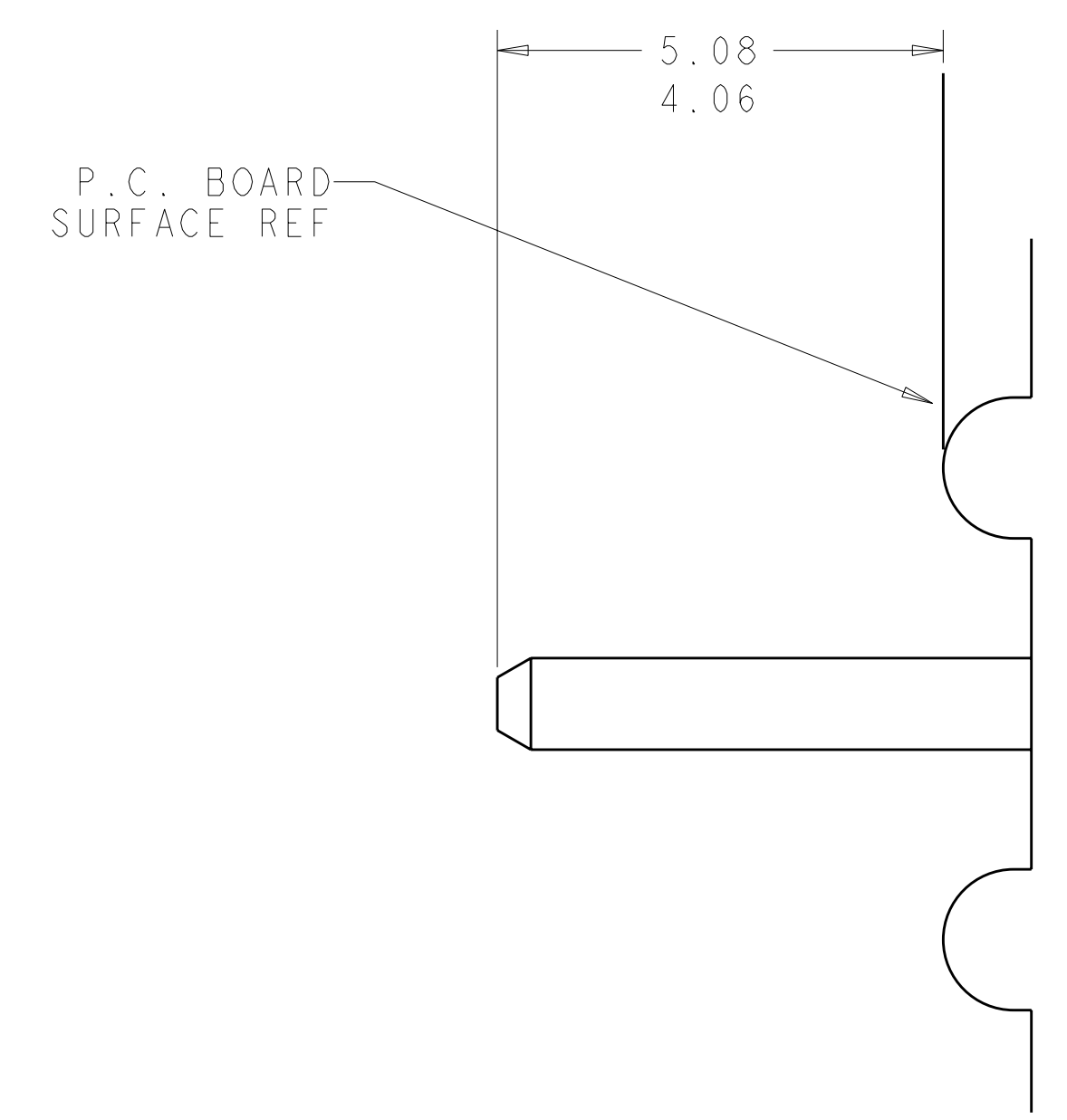
PRINTED CIRCUIT LAYOUT
 COMPONENT SIDE

CONNECTOR	EQUIVALENT CATALOG MODULE #	MODULE QTY	CONTACT QTY	SIZE NO.	MATING PIN	MAX. CURRENT (PER CONTACT)	CONTACT SPACING	VOLTAGE RATING
SOCKET	FP150	4	4	8	1.25 X 7.00 [.049 X .276]	35 amps	7.50 [.2953]	250 VOLTS
	FP318	1	24	22	.64 [.025] SQ.	3 amps	2.50 [.0984]	125 VOLTS
	FP500	1	-	LEFT MOUNTING FLANGE				
	FP501	1	-	RIGHT MOUNTING FLANGE				

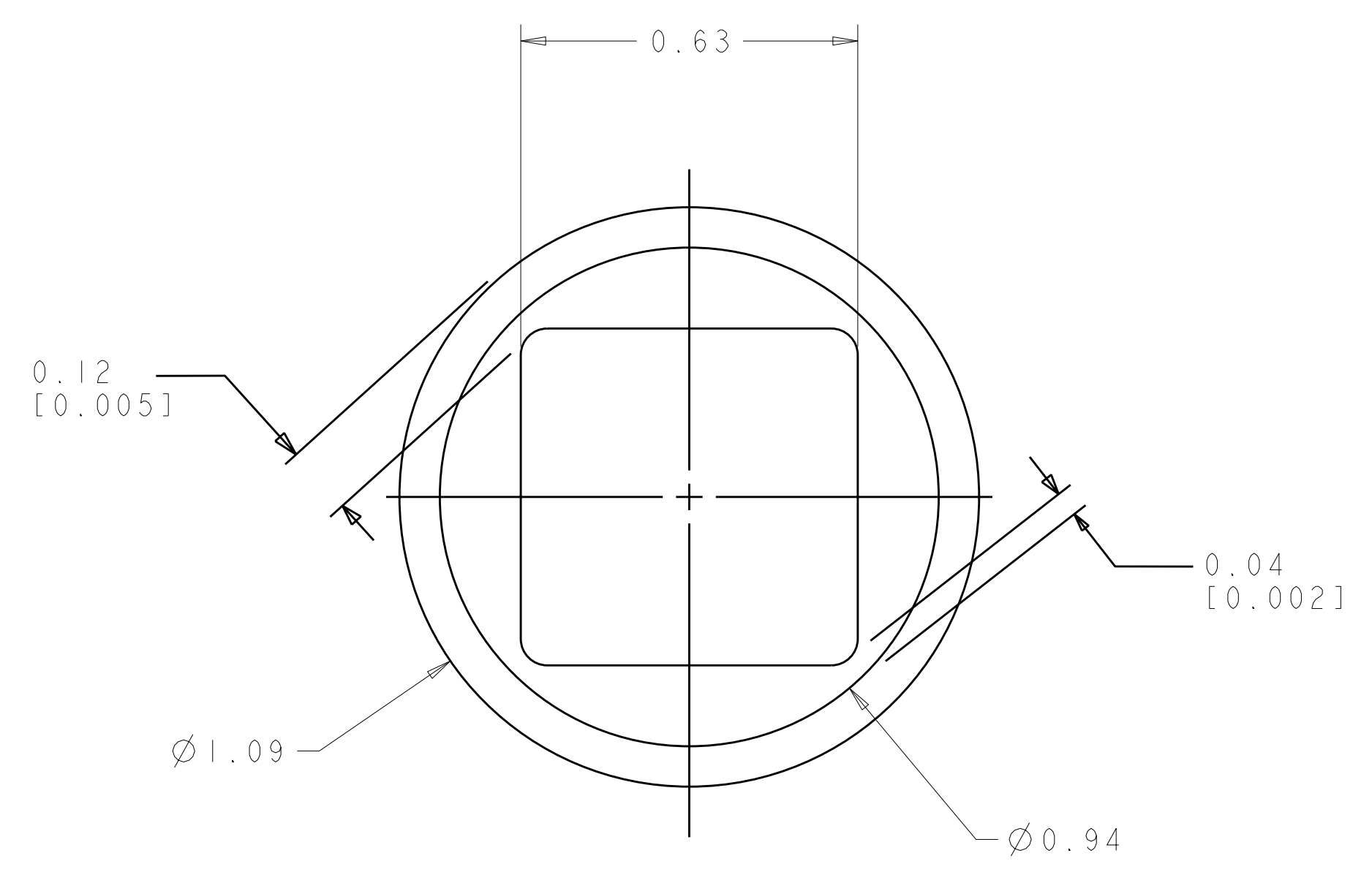
ELCON FLATPAQ

<small>THIS DRAWING IS UNPUBLISHED. RELEASED FOR PUBLICATION 20. THIS IS SUBJECT TO CHANGE WITHOUT NOTICE AND WITHOUT OBLIGATION. TOLERANCES UNLESS OTHERWISE SPECIFIED: DIMENSIONS: mm [INCHES]</small>		DWN: R. GRZYBOWSKI 31 JULY 06 CHK: D. ORRIS 31 JULY 06 APVD: S. FLICKINGER 31 JULY 06	tyco Electronics Tyco Electronics Harrisburg, PA 17105-3608
DIMENSIONS: mm [INCHES] TOLERANCES UNLESS OTHERWISE SPECIFIED: 0 PLC ± 1 PLC ±0.3 2 PLC ±0.15 3 PLC ± 4 PLC ± ANGLES ±5	PRODUCT SPEC: APPLICATION SPEC: WEIGHT: MATERIAL: FINISH:	NAME: STRAIGHT SOCKET CONNECTOR SOLDER TAILS SIZE: CAGE CODE: DRAWING NO: A100779C-6646277 RESTRICTED TO:	CUSTOMER DRAWING SCALE: 3:1 SHEET 2 OF 3 REV B

LOC	DIST	REVISIONS			
P	LTB	DESCRIPTION	DATE	DWN	APVD
GP	00	SEE SHEET 1	-	-	-



7. SOLDER PIN DETAIL
SCALE 10:1



8 SOLDER TERMINATION AREA
 SCALE 40:1
 RECOMMENDED PRINTED CIRCUIT SOLDER HOLE
 FINISHED HOLE: Ø1.02 [.040] ±.008 [.0003]
 DRILLED HOLE: Ø1.15 [.0453] ±.013 [.0005]
 COPPER PLATE: .025 [.0010] MIN
 TIN PLATE: .008 [.0003] MIN. (PER SURFACE)

ELCON FLATPAQ

<small>THIS DRAWING IS UNPUBLISHED. RELEASED FOR PUBLICATION BY TYCO ELECTRONICS CORPORATION. IT IS SUBJECT TO CHANGE WITHOUT NOTICE AND WITHOUT OBLIGATION. SHOULD BE CONTACTED FOR THE LATEST REVISION.</small>		DWN R. GRZYBOWSKI 31 JULY 06 CHK D. ORRIS 31 JULY 06 APVD S. FLICKINGER 31 JULY 06	tyco Tyco Electronics Harrisburg, PA 17105-3608 Electronics
DIMENSIONS: mm [INCHES]	TOLERANCES UNLESS OTHERWISE SPECIFIED: 0 PLC ±. 1 PLC ±0.3 2 PLC ±0.15 3 PLC ±. 4 PLC ±. ANGLES ± 5	NAME PRODUCT SPEC APPLICATION SPEC WEIGHT CUSTOMER DRAWING	STRAIGHT SOCKET CONNECTOR SOLDER TAILS SIZE CAGE CODE DRAWING NO A100779C-6646277 SCALE 3:1 SHEET 3 OF 3 REV B