

ITEM	PART#	DESCRIPTION	QTY	UOM
A,B	39012026	2CKT NEW MINI FIT HOUSING 555902P210	2	PC
C	39000124	MiniFit Term Crp Male C Bs Tin 16awg	4	PC
D	--	PAPER PRINTED PAPER WHITE	1	PC

FROM	TO	DESCRIPTION	COLOR
A1	B1	1X16AWG DISC PVC BK UL1015 HOOKUP	BLACK
A2	B2	1X16AWG DISC PVC BK UL1015 HOOKUP	BLACK

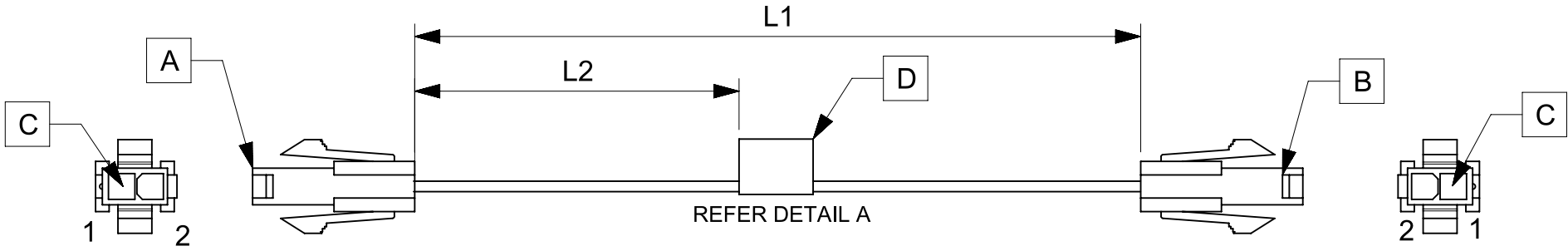


TABLE			
PART NUMBER	L1	L2	TITLE
2153271021	150±8	63 REF	MINIFIT JR DR P-P 2 CIRCUIT 150MM Sn
2153271022	300±10	138 REF	MINIFIT JR DR P-P 2 CIRCUIT 300MM Sn
2153271023	600±10	288 REF	MINIFIT JR DR P-P 2 CIRCUIT 600MM Sn

NOTES

1. Cable assembly must pass 100% continuity and polarity test.
2. Connector view shown is from mating side.
3. Label text must be 2mm max. in height with Arial font.
4. Label must be wrapped in flag type on a single cable.

MOLEX P/N
MOLEX
BATCH WK/YR
DETAIL A

REVISION			
DATE	REV	DESCRIPTION	CHANGER
2020/03/19	A	INITIAL RELEASE	ARAJU

FUNCTIONAL SYMBOLS $\frac{E}{A} = 0$ $\frac{E}{E} = 0$ $\frac{E}{P} = 0$ DIVISIONAL SYMBOLS	DIMENSION UNITS: mm SCALE: NTS		CURRENT REV DESC:		
	GENERAL TOLERANCES (UNLESS SPECIFIED)		molex		
	ANGULAR TOL ± °		SEE TABLE		
	4 PLACES ± 3 PLACES ± 2 PLACES ± 1 PLACE ± 0 PLACES ±		EC NO: 638379 DRWN: ARAJU 2020/03/19 CHK'D: RDESAI01 2020/05/28 APPR: RDESAI01 2020/05/28		
DRAFT WHERE APPLICABLE MUST REMAIN WITHIN DIMENSIONS		THIRD ANGLE PROJECTION	DRAWING: A4-SIZE	SERIES: 215327	INITIAL REVISION: DRWN: ARAJU 2020/03/19 APPR: RDESAI01 2020/05/28
RELEASE STATUS: P1 RELEASE DATE: 2020/05/28 07:59:27		MATERIAL NUMBER: SEE TABLE		CUSTOMER: GENERAL MARKET	
		DOCUMENT NUMBER: 2153271021		DOC TYPE: PSD DOC PART: 000 REVISION: A	
		SHEET NUMBER: 1 OF 1			