

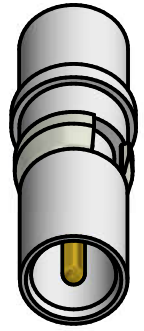
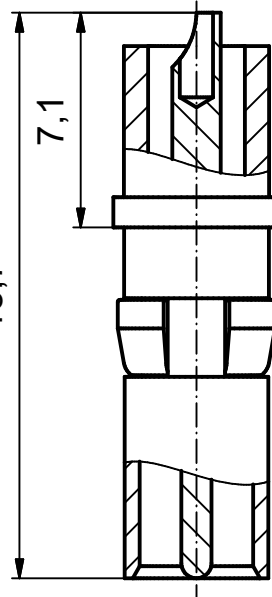
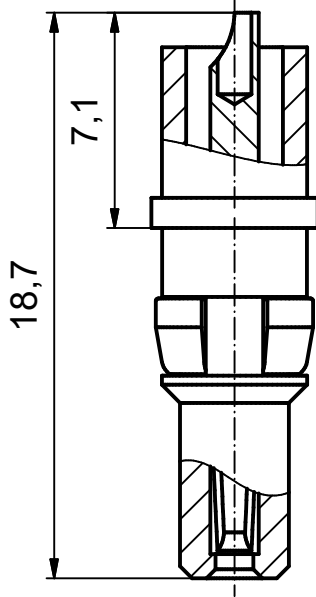


PLUG CONTACT: 131□14019X

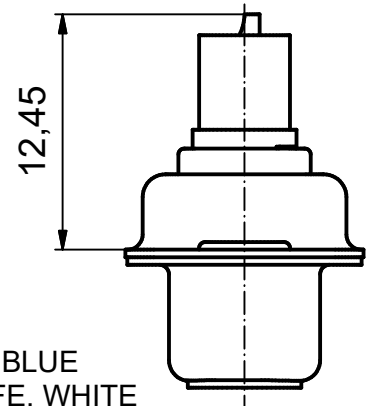
SOCKET CONTACT: 132□14019X

ⓐ SHOULD BE USED FOR D-SUB COMBINATION MALE CONNECTORS

ⓐ SHOULD BE USED FOR D-SUB COMBINATION FEMALE CONNECTORS

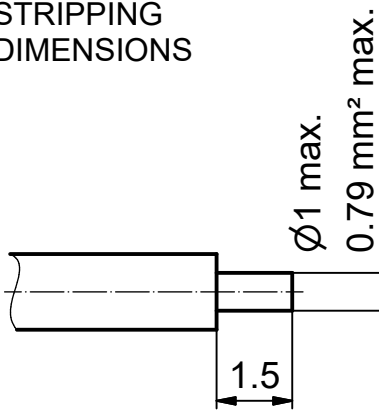


INSTALLATION DIMENSION



RoHS compliant

STRIPPING DIMENSIONS



ⓑ ⓐ NOTES:

- INSULATOR:
PLUG CONTACT: PTFE, BLUE
SOCKET CONTACT: PTFE, WHITE
- CONTACT: COPPER ALLOY,
PLATING CONTACT AREA:
□ = A: GOLD FLASH OVER NICKEL
□ = J: 50 µin HARD GOLD OVER NICKEL
- SOLDER CUP ACCEPTS CABLE AWG 20
- RETAINING RING: COPPER ALLOY, NICKEL PLATED
- PLUG CONTACT MAY ONLY BE MOUNTED IN D-SUB COMBINATION MALE CONNECTORS, SOCKET CONTACT MAY ONLY BE MOUNTED IN D-SUB COMBINATION FEMALE CONNECTORS

THIS DRAWING MAY NOT BE COPIED OR REPRODUCED IN ANY WAY, AND MAY NOT BE PASSED ON TO A THIRD PARTY WITHOUT WRITTEN PERMISSION. OWNERSHIP AND COPYRIGHT OF CONEC GmbH

DO NOT ALTER CAD DRAWING BY HAND

				tolerance		dim. in mm
				date	name	
				drawn 07.05.2002	Parei	
				appd. 07.05.2002	E. Mickenbecker	
				norm		
3 x c	Ä21-007	21.01.2021	JLE	d-old		
1 x b	Ä3527	14.12.2009	Henneb.			
a	Original					
rev.	description	date	name			

scale:	4:1	
material:	SEE NOTES	
title:	HIGH VOLTAGE PLUG + SOCKET CONTACT solder termination straight for D-SUB COMBINATION CONNECTORS	
dwg no:	13K1A568	DIN-A4
part no:	SEE DRAWING	sh: 1

